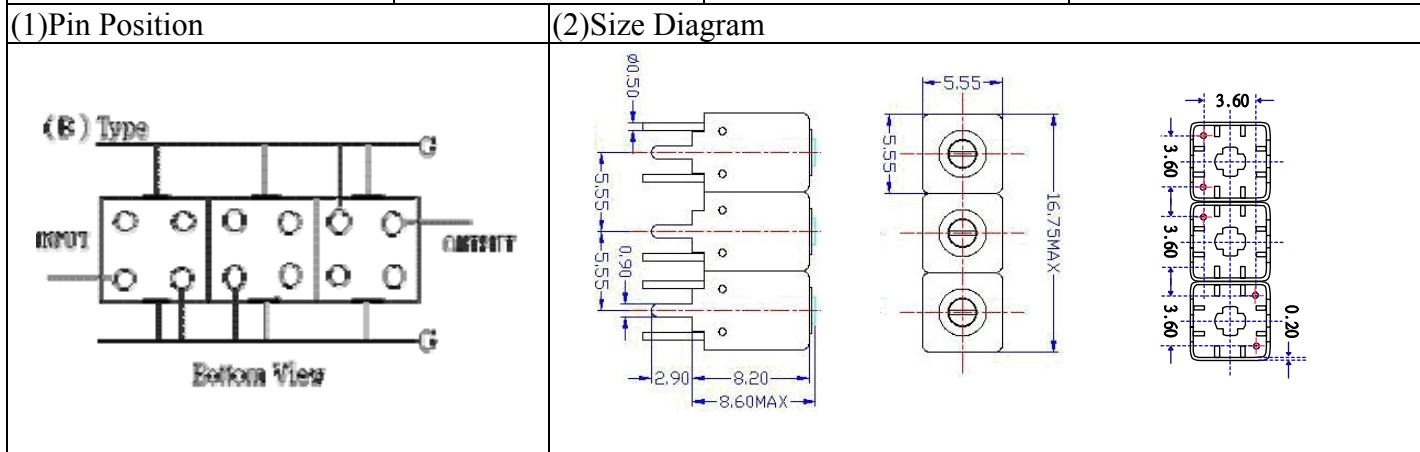


VHF UHF Helical Filter Specification Sheet

Customer Name		Temwell's Part No.	TTW3656B-1175M
Approval No. /dated	201407102CD	Temwell's Print Name.	3656B 1175M
Work Instruction No.	201407102CD	Date	Nov.17.2014



(3) Electric Character

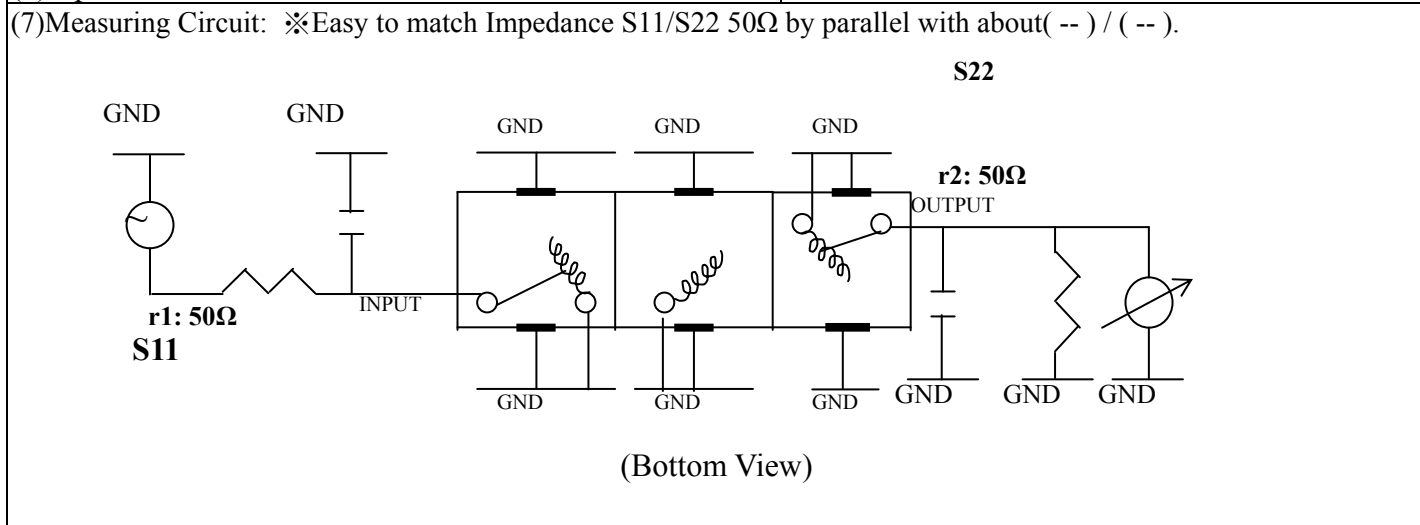
Item	Specify	Performance
Center Freq.(Fo) +/- 0.5 %	1175 MHz	1175 MHz
Insertion Loss	Typ. 4.5 dB	3.86 dB
-3 dB Bandwidth	Typ. 13 MHz	24.1 MHz
Sensitivity (Attenuation)	Fo - 50 MHz	Typ. 30 dBc
	Fo + 50 MHz	Typ. 21 dBc
	Fo - ()MHz	Typ. dBc
	Fo + ()MHz	Typ. dBc
Return Loss	Min. 12 dB	26.0 dB
Ripple	< 1 dB	dB
Impedance	In / Out : 50 Ω	In / Out : 50 Ω

(4) Torque for Tuning Screw > 60gf · cm

(5) Temperature Condition:

Operating Temperature	0°C ~ +60°C
Storage Temperature	-20°C ~ +70°C

(6) Input Power > 0.5Watt

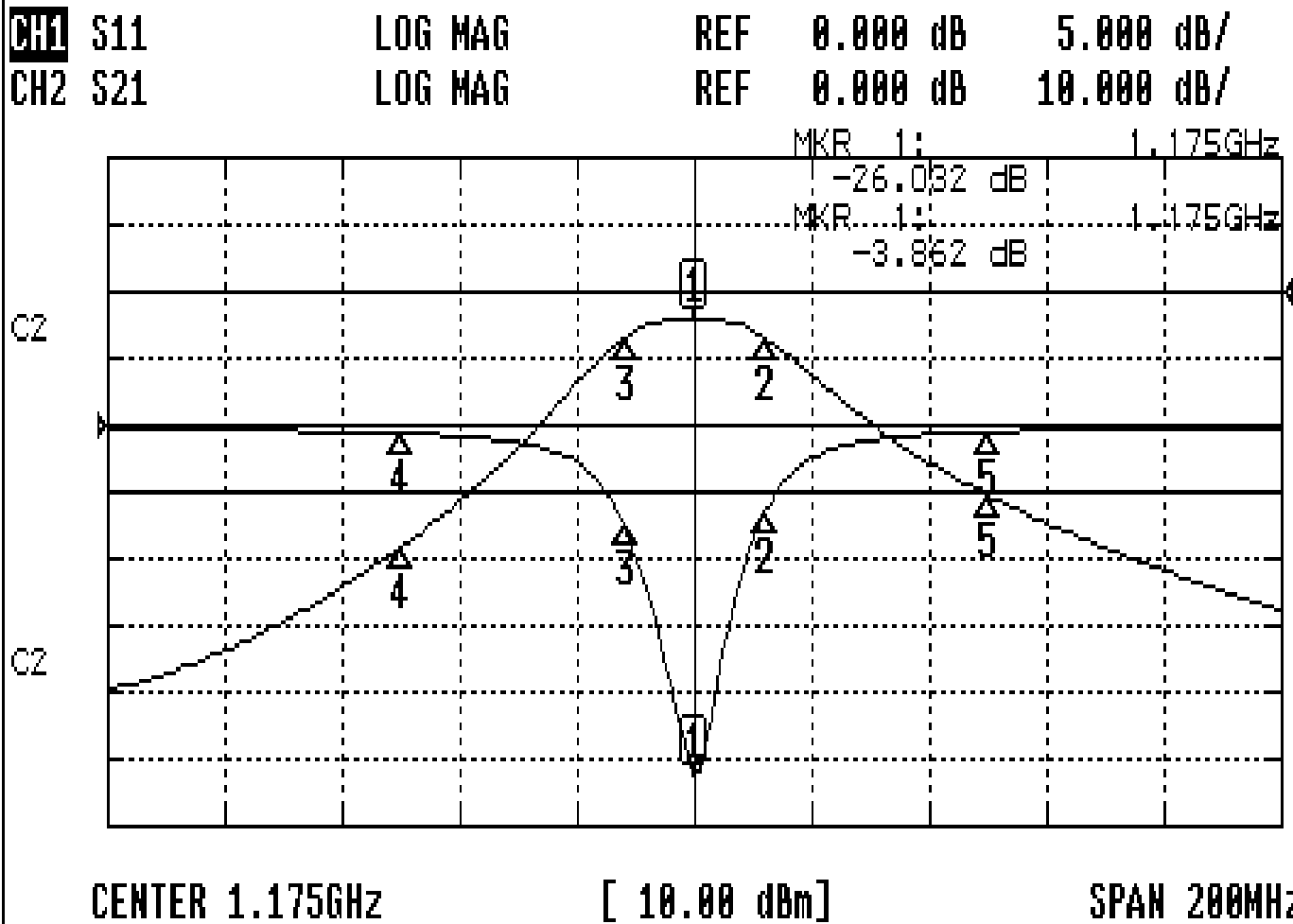


Approval	Supervisor	Designer	Aperture size
C.Y.Chang	C.K.Chang	C.H.Yeh	5W3S(3.8*3.5)(3.44) 5HW024RB3

TEMWELL CORPORATION

Performance-TTW3656B-1175M

201407102CD



CH1 MARKER LIST

Marker	Freq (GHz)	Magnitude (dB)
1:	1.175 000	-26.032
2:	1.187 166	-6.472
3:	1.163 000	-7.382
4:	1.125 000	-0.608
5:	1.225 000	-0.501

CH2 MARKER LIST

Marker	Freq (GHz)	Magnitude (dB)
1:	1.175 000	-3.862
2:	1.187 166	-6.867
3:	1.163 000	-6.896
4:	1.125 000	-38.248
5:	1.225 000	-30.491