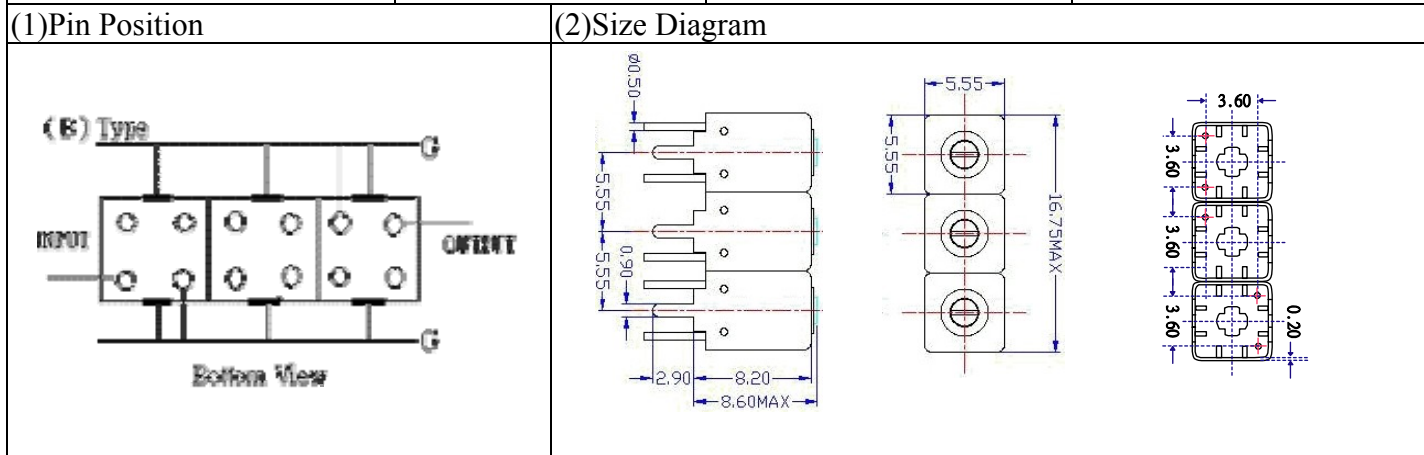


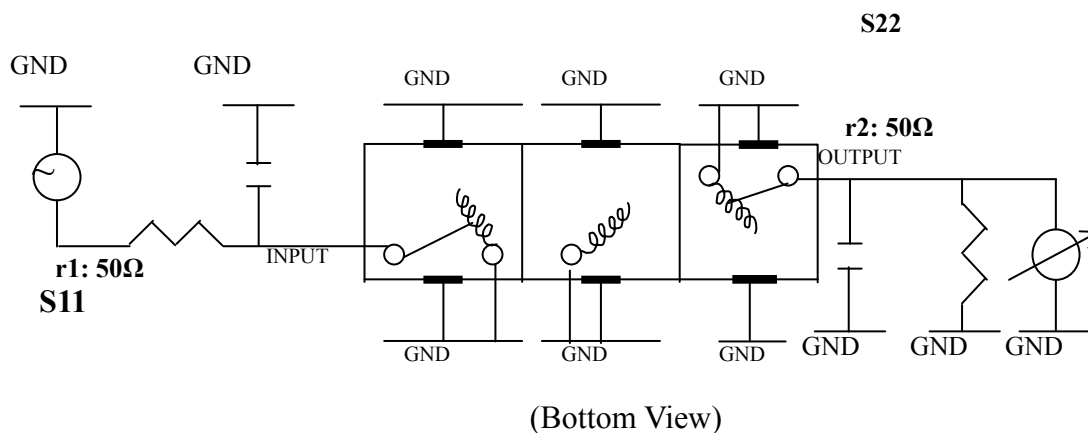
# VHF UHF Helical Filter Specification Sheet

Customer Name		Temwell's Part No.	TTW3653B-825M
Approval No. /dated	201407170CD	Temwell's Print Name.	3653B 825M
Work Instruction No.	201407170CD	Date	Dec.10.2014



(3) Electric Character			
Item	Specify	Performance	
Center Freq.(Fo) +/- 0.5 %	825 MHz	825	MHz
Insertion Loss	Typ. 5.0 dB	4.29	dB
-3 dB Bandwidth	Typ. 12 MHz	18.2	MHz
Sensitivity (Attenuation)	Fo - 50 MHz	Typ. 45 dBc	48 dBc
	Fo + 50 MHz	Typ. 34 dBc	37 dBc
	Fo - ( )MHz	Typ. dBc	dBc
	Fo +( )MHz	Typ. dBc	dBc
Return Loss	Min. 12 dB	18.9	dB
Ripple	< 1 dB		dB
Impedance	In / Out : 50 Ω	In / Out : 50 Ω	
(4) Torque for Tuning Screw			
		> 60gf · cm	
(5) Temperature Condition:			
Operating Temperature		0°C ~ +60°C	
Storage Temperature		-20°C ~ +70°C	
(6) Input Power		> 0.5Watt	

(7) Measuring Circuit: ※Easy to match Impedance S11/S22 50Ω by parallel with about( -- ).



Approval C.Y.Chang	Supervisor C.K.Chang	Designer W.w.wang	Aperture size 5W3S(3.8*3.5)(3.58) 5HW024RB3
-----------------------	-------------------------	----------------------	---

TEMWELL CORPORATION

# Performance-TTW3653B-825M

201407170CD

Tr1 S11 Log Mag 5.000dB/ Ref 0.000dB [F2]

Tr2 S21 Log Mag 10.00dB/ Ref 0.000dB [F2]

