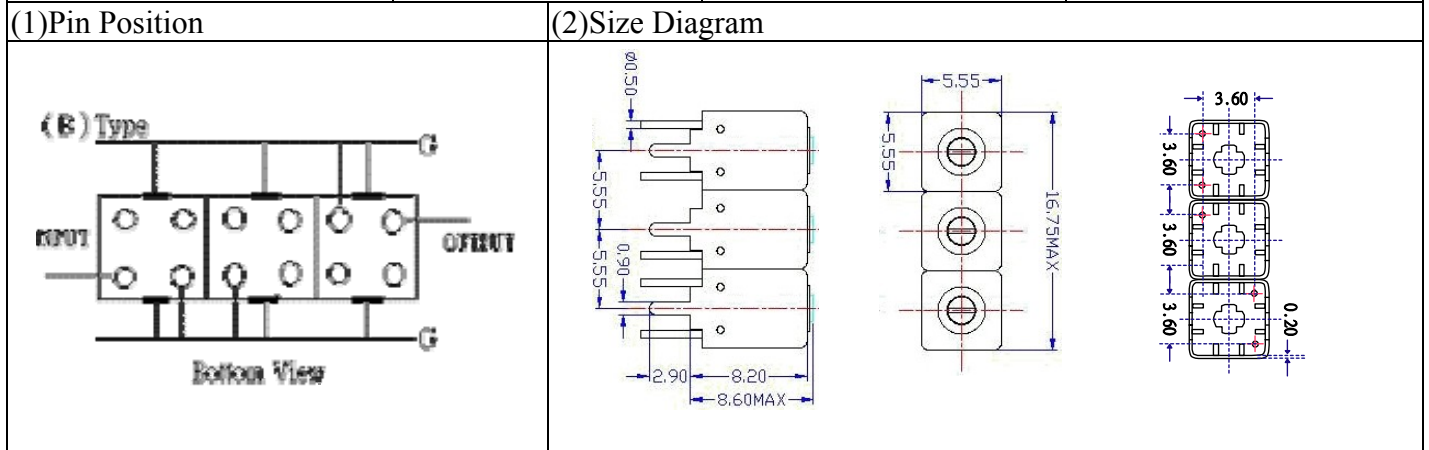
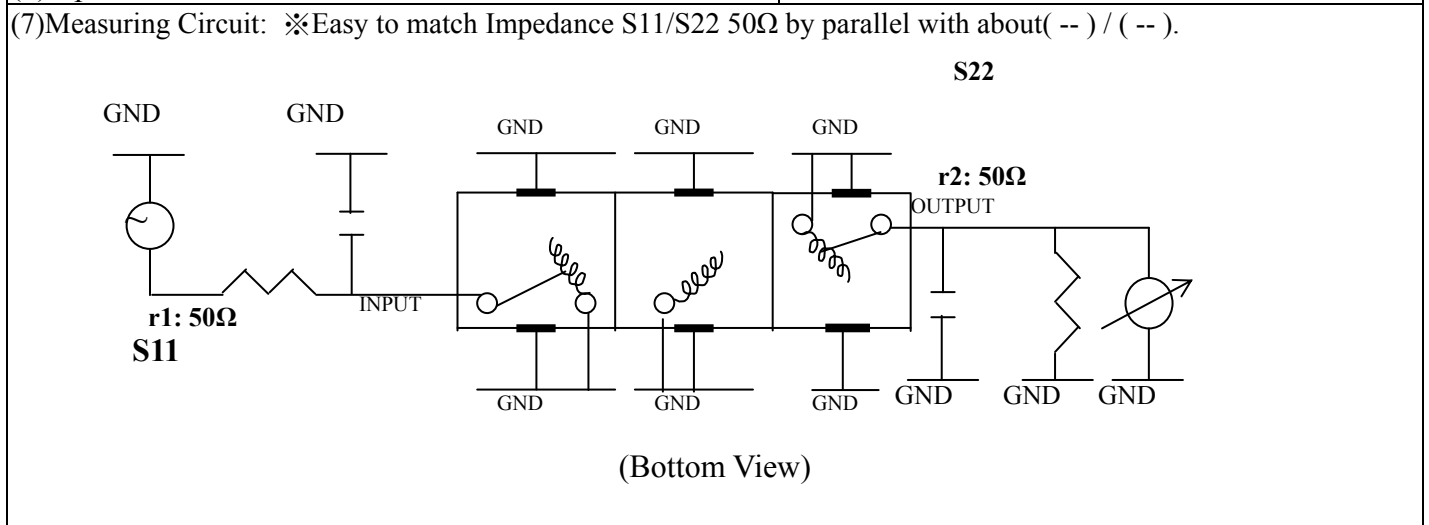


VHF UHF Helical Filter Specification Sheet

Customer Name		Temwell's Part No.	TTW3643B-775M
Approval No. /dated	201407172CD	Temwell's Print Name.	3643B 775M
Work Instruction No.	201407172CD	Date	Oct.21.2014



(3) Electric Character					
Item		Specify		Performance	
Center Freq.(Fo) +/- 0.5 %		775 MHz		775 MHz	
Insertion Loss		Typ. 6.0 dB		5.31 dB	
-3 dB Bandwidth		Typ. 5 MHz		12.9 MHz	
Sensitivity (Attenuation)	Fo - 50 MHz	Typ. 46 dBc		49 dBc	
	Fo + 50 MHz	Typ. 38 dBc		41 dBc	
	Fo - ()MHz	Typ. dBc		dBc	
	Fo + ()MHz	Typ. dBc		dBc	
Return Loss		Min. 12 dB		22.2 dB	
Ripple		< 1 dB		dB	
Impedance		In / Out : 50 Ω		In / Out : 50 Ω	
(4) Torque for Tuning Screw		> 60gf · cm			
(5) Temperature Condition:					
Operating Temperature		0°C ~ +60°C			
Storage Temperature		-20°C ~ +70°C			
(6) Input Power		> 0.5Watt			

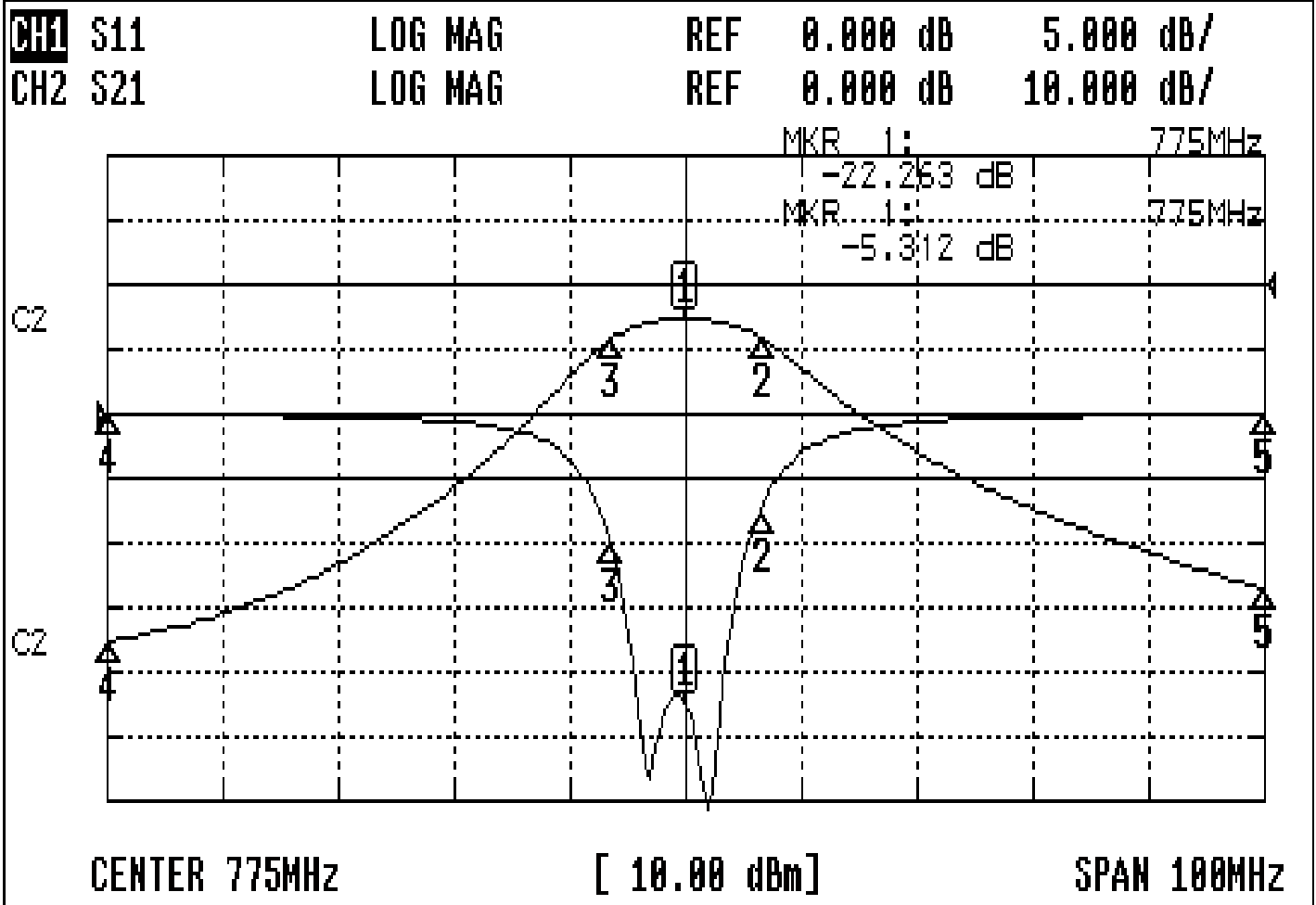


Approval	Supervisor	Designer	Aperture size
C.Y.Chang	C.K.Chang	J.Yang	5W3S(3.8*3.5)(3.58) 5HW024RB3

TEMWELL CORPORATION

Performance-TTW3643B-775M

201407172CD



CH1 MARKER LIST

1:	775.000MHz	-22.270	dB
2:	781.500MHz	-7.515	dB
3:	768.583MHz	-10.085	dB
4:	725.000MHz	-0.043	dB
5:	825.000MHz	-0.039	dB

CH2 MARKER LIST

1:	775.000MHz	-5.312	dB
2:	781.500MHz	-1.000	dB
3:	768.583MHz	-2.000	dB
4:	725.000MHz	-4.262	dB
5:	825.000MHz	-4.262	dB