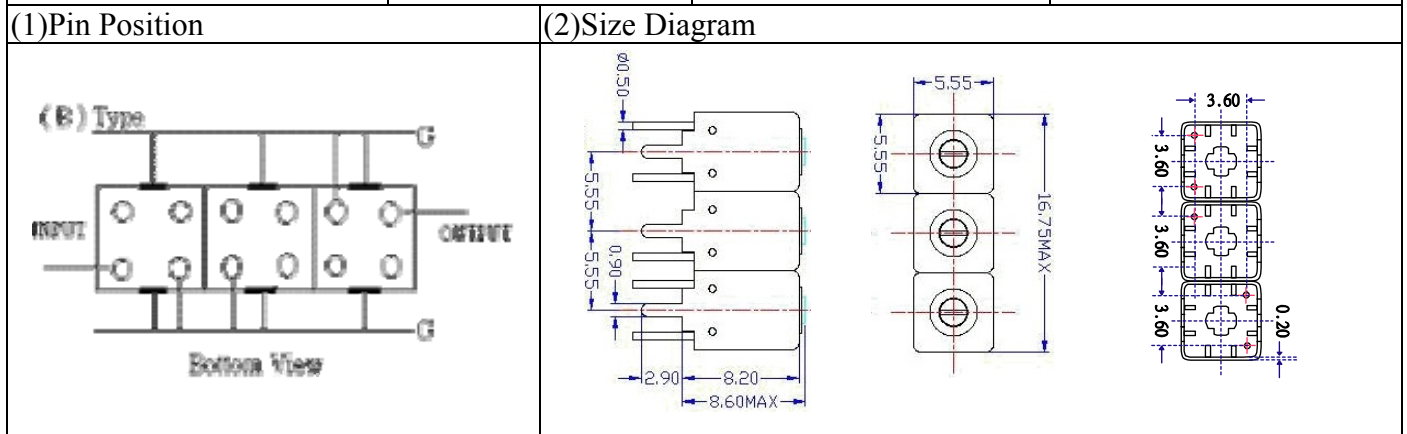


# VHF UHF Helical Filter Specification Sheet

Customer Name		Temwell's Part No.	TTW3641B-575M
Approval No. /dated	201407174CD	Temwell's Print Name.	3641B 575M
Work Instruction No.	201407174CD	Date	Oct.17.2014



(3) Electric Character			
Item		Specify	Performance
Center Freq.(Fo) +/- 0.5 %		575 MHz	575 MHz
Insertion Loss		Typ. 6.0 dB	4.97 dB
-3 dB Bandwidth		Typ. 7 MHz	11.0 MHz
Sensitivity (Attenuation)	Fo - 50 MHz	Typ. 49 dBc	52 dBc
	Fo + 50 MHz	Typ. 45 dBc	48 dBc
	Fo - ( )MHz	Typ. dBc	dBc
	Fo +( )MHz	Typ. dBc	dBc
Return Loss		Min. 12 dB	20.9 dB
Ripple		< 1 dB	dB
Impedance		In / Out : 50 Ω	In / Out : 50 Ω

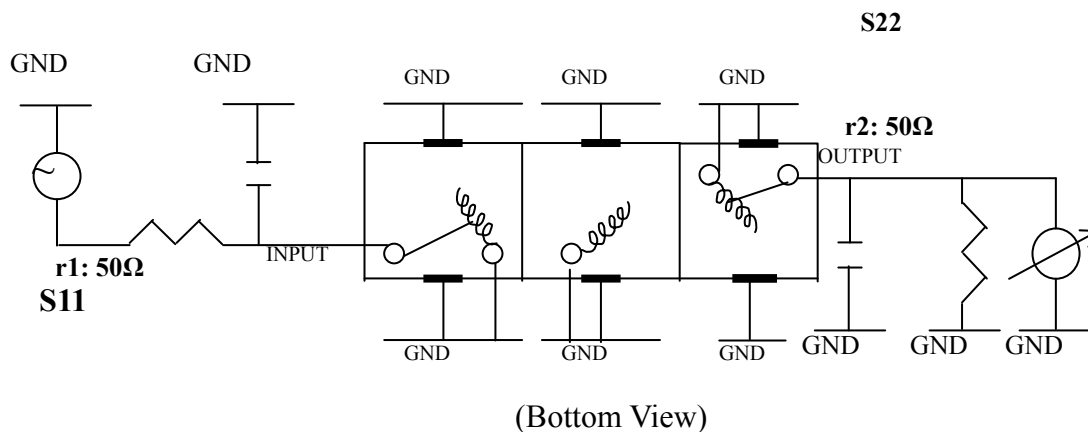
(4) Torque for Tuning Screw > 60gf · cm

(5) Temperature Condition:

Operating Temperature	0°C ~ +60°C
Storage Temperature	-20°C ~ +70°C

(6) Input Power > 0.5Watt

(7) Measuring Circuit: ※Easy to match Impedance S11/S22 50Ω by parallel with about( -- ) / ( -- ).



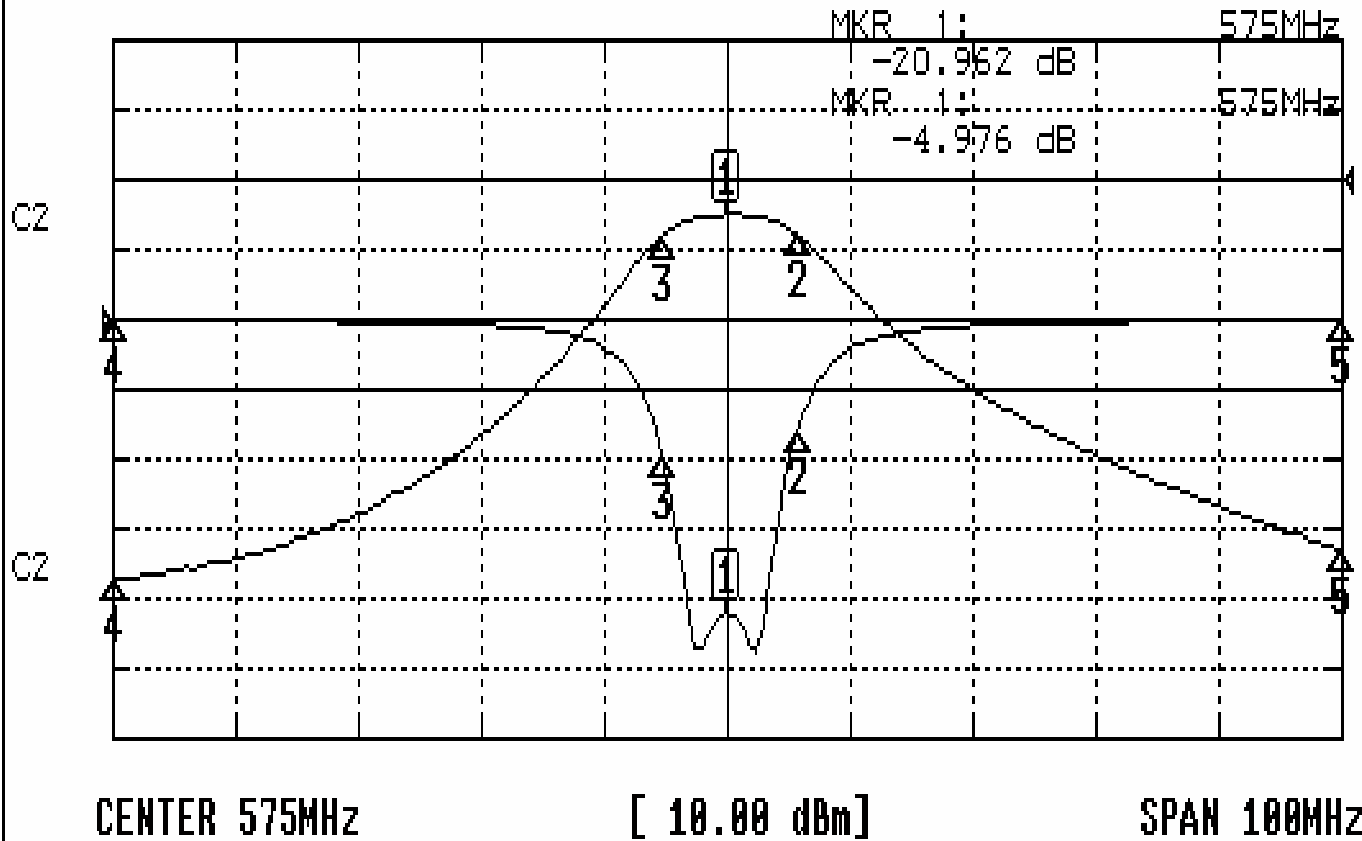
Approval	Supervisor	Designer	Aperture size
C.Y.Chang	C.K.Chang	J.Yang	5W3S(3.8*3.5)(3.56) 5HW02RB3

TEMWELL CORPORATION

# Performance-TTW3641B-575M

## 201407174CD

CH1 S11 LOG MAG REF 0.000 dB 5.000 dB/  
CH2 S21 LOG MAG REF 0.000 dB 10.000 dB/



### CH1 MARKER LIST

1:	575.000MHz	-20.962	dB
2:	580.833MHz	-7.859	dB
3:	569.750MHz	-9.658	dB
4:	525.000MHz	-0.059	dB
5:	625.000MHz	-0.052	dB

### CH2 MARKER LIST

1:	575.000MHz	-4.977	dB
2:	580.833MHz	-7.983	dB
3:	569.750MHz	-7.912	dB
4:	525.000MHz	-57.424	dB
5:	625.000MHz	-52.991	dB