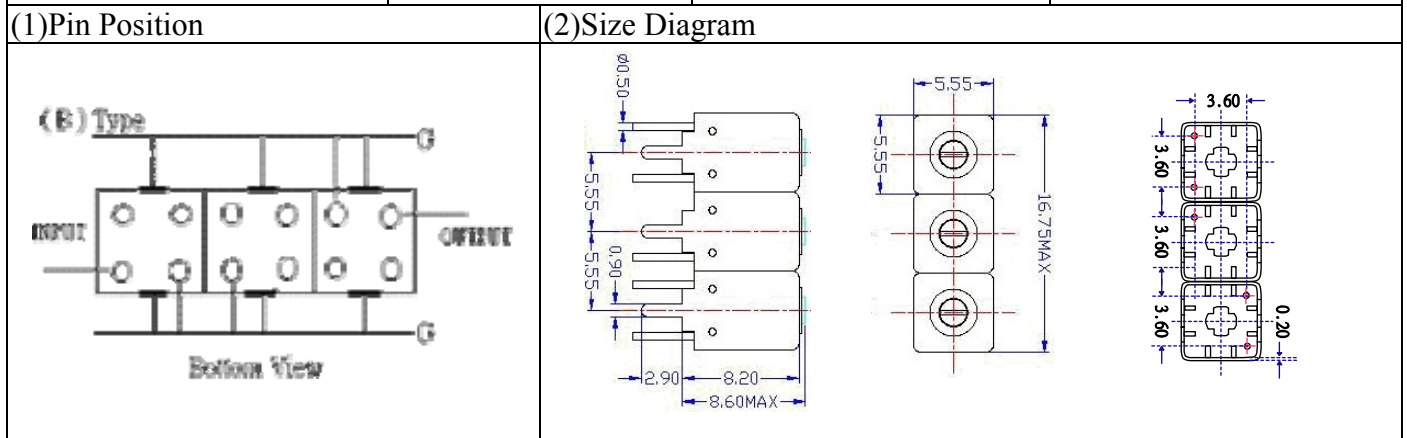


VHF UHF Helical Filter Specification Sheet

Customer Name		Temwell's Part No.	TTW3640B-375M
Approval No. /dated	201407177CD	Temwell's Print Name.	3640B 375M
Work Instruction No.	201407177CD	Date	Oct.22.2014



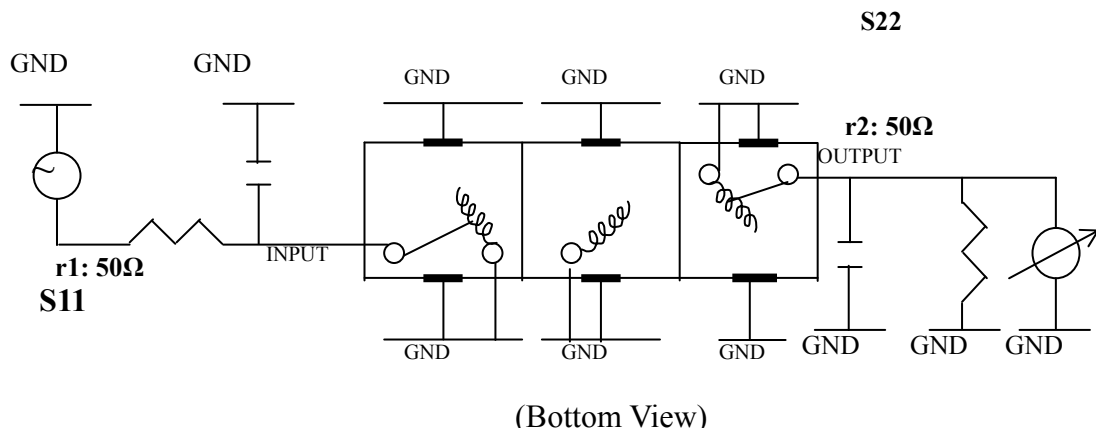
(3) Electric Character			
Item		Specify	Performance
Center Freq.(F ₀) +/- 0.5 %		375 MHz	375 MHz
Insertion Loss		Typ. 6.0 dB	5.04 dB
-3 dB Bandwidth		Typ. 9 MHz	11.9 MHz
Sensitivity (Attenuation)	F ₀ - 50 MHz	Typ. 49 dBc	52 dBc
	F ₀ + 50 MHz	Typ. 62 dBc	72 dBc
	F ₀ - ()MHz	Typ. dBc	dBc
	F ₀ + ()MHz	Typ. dBc	dBc
Return Loss		Min. 12 dB	23.7 dB
Ripple		< 1 dB	dB
Impedance		In / Out : 50 Ω	In / Out : 50 Ω

(4) Torque for Tuning Screw > 60gf · cm

(5) Temperature Condition:	
Operating Temperature	0°C ~ +60°C
Storage Temperature	-20°C ~ +70°C

(6) Input Power > 0.5Watt

(7) Measuring Circuit: ※Easy to match Impedance S11/S22 50Ω by parallel with about(--) / (--).



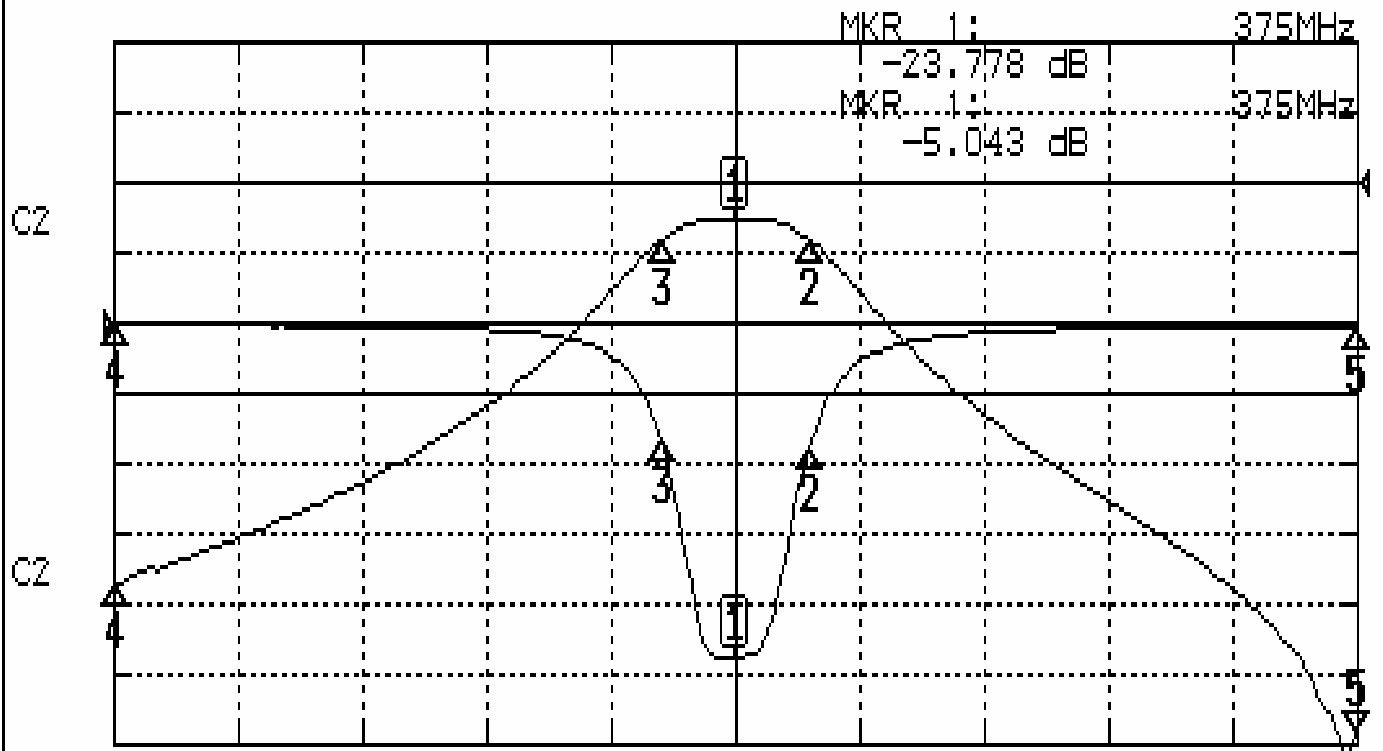
Approval C.Y.Chang	Supervisor C.K.Chang	Designer C.H.Yeh	Aperture size 5W3S(3.8*3.5)(3.55) 5HW00LB3
-----------------------	-------------------------	---------------------	--

TEMWELL CORPORATION

Performance-TTW3640B-375M

201407177CD

CH1 S11 LOG MAG REF 0.000 dB 5.000 dB/
CH2 S21 LOG MAG REF 0.000 dB 10.000 dB/



CENTER 375MHz

[10.00 dBm]

SPAN 100MHz

CH1 MARKER LIST

1:	375.000MHz	-23.778	dB
2:	381.000MHz	-8.923	dB
3:	369.083MHz	-8.397	dB
4:	325.000MHz	-0.095	dB
5:	425.000MHz	-0.180	dB
6:			
7:			
8:			
9:			
10:			

CH2 MARKER LIST

1:	375.000MHz	-5.043	dB
2:	381.000MHz	-8.064	dB
3:	369.083MHz	-8.027	dB
4:	325.000MHz	-77.299	dB
5:	425.000MHz	-77.941	dB
6:			
7:			
8:			
9:			
10:			