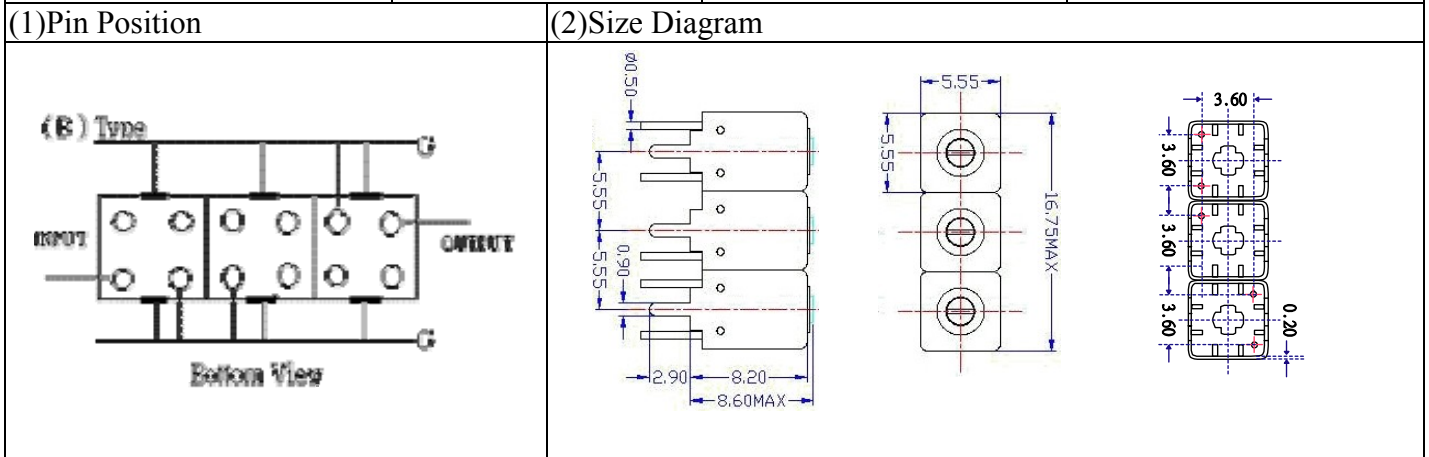


VHF UHF Helical Filter Specification Sheet

Customer Name		Temwell's Part No.	TTW3637B-240M
Approval No. /dated	201406080CD	Temwell's Print Name.	3637B 240M
Work Instruction No.	201406080CD	Date	Jul.03.2014



(3) Electric Character

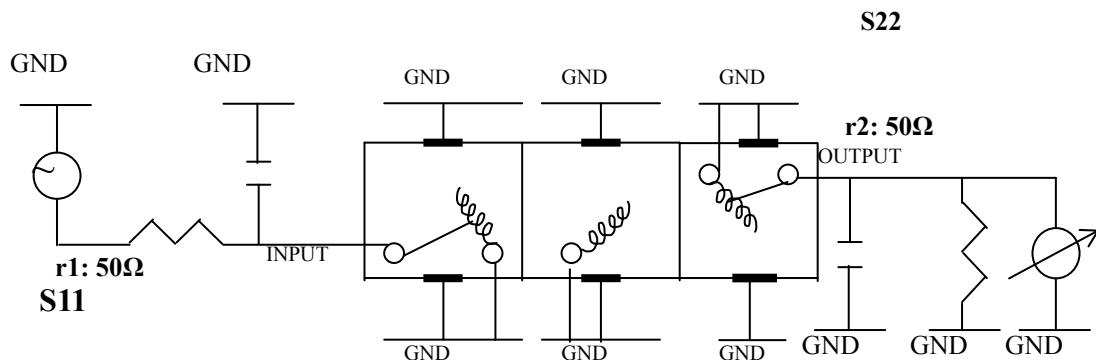
Item	Specify	Performance
Center Freq.(Fo) +/- 0.5 %	240 MHz	240 MHz
Insertion Loss	Typ. 6.0 dB	4.45 dB
-3 dB Bandwidth	Typ. 5 MHz	11.9 MHz
Sensitivity (Attenuation)	Fo - 50 MHz	Typ. 55 dBc
	Fo + 50 MHz	Typ. 53 dBc
	Fo - ()MHz	Typ. dBc
	Fo + ()MHz	Typ. dBc
Return Loss	Min. 12 dB	27.0 dB
Ripple	< 1 dB	dB
Impedance	In / Out : 50 Ω	In / Out : 50 Ω
(4) Torque for Tuning Screw	> 60gf · cm	

(5) Temperature Condition:

Operating Temperature	0°C ~ +60°C
Storage Temperature	-20°C ~ +70°C

(6) Input Power

(7) Measuring Circuit: ※Easy to match Impedance S11/S22 50Ω by parallel with about(- -).



(Bottom View)

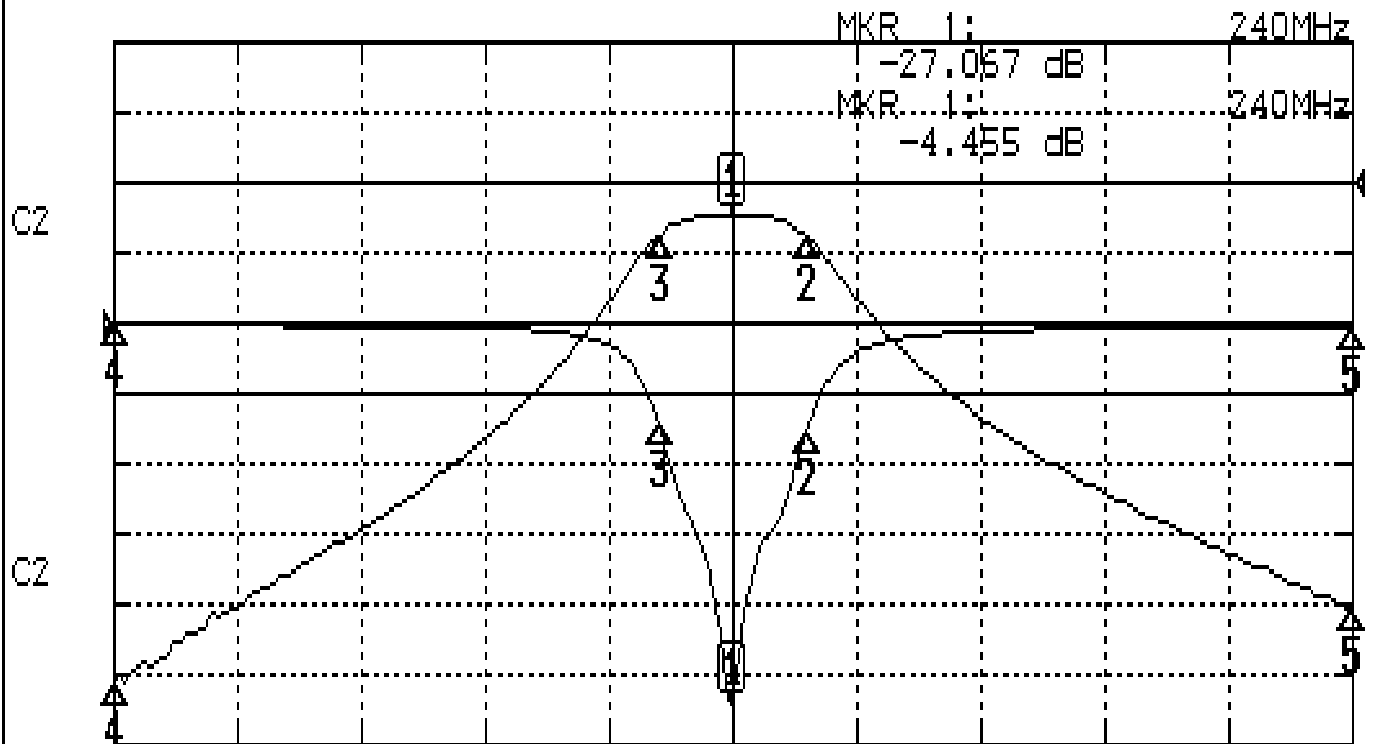
Approval	Supervisor	Designer	Aperture size
C.Y.Chang	C.K.Chang	C.Ko.Chang	5W3S(3.8*4.0)(4.11) 5HW00LB3

TEMWELL CORPORATION

Performance-TTW3637B-240M

201406080CD

CH1 S11 LOG MAG REF 0.000 dB 5.000 dB/
CH2 S21 LOG MAG REF 0.000 dB 10.000 dB/



CENTER 240MHz

[10.00 dBm]

SPAN 100MHz

CH1 MARKER LIST

1:	240.000MHz	-27.067	dB
2:	246.000MHz	-7.686	dB
3:	234.083MHz	-7.267	dB
4:	190.000MHz	-0.119	dB
5:	290.000MHz	-0.228	dB

CH2 MARKER LIST

1:	240.000MHz	-4.455	dB
2:	246.000MHz	-7.545	dB
3:	234.083MHz	-7.432	dB
4:	190.000MHz	-71.219	dB
5:	290.000MHz	-60.798	dB