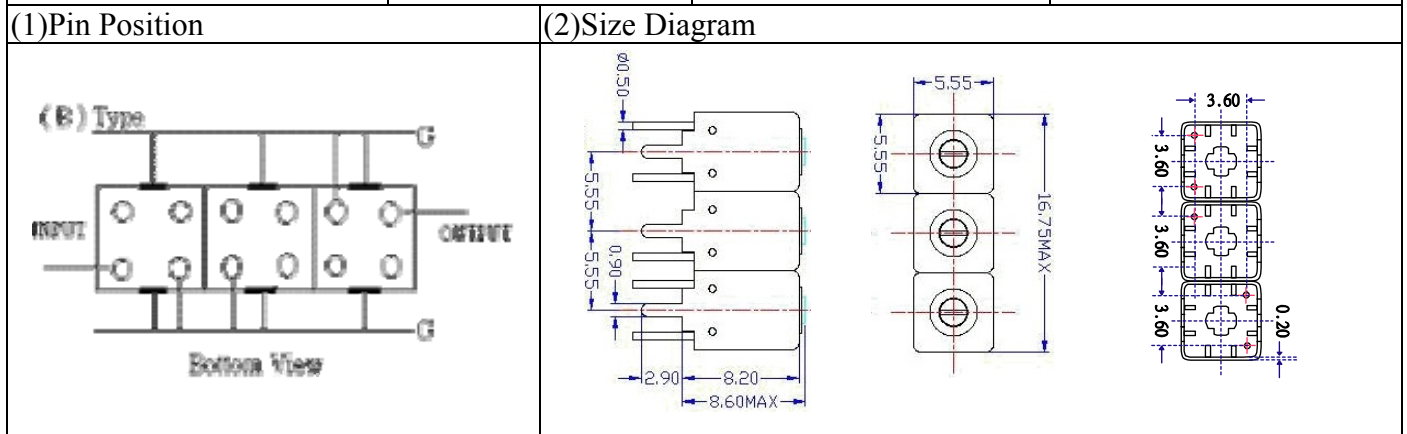


# VHF UHF Helical Filter Specification Sheet

Customer Name		Temwell's Part No.	TTW3631B-841M
Approval No. /dated		Temwell's Print Name.	3631B 841M
Work Instruction No.	201406032CD	Date	Jun.18.2014



(3) Electric Character			
Item		Specify	Performance
Center Freq.(Fo) +/- 0.5 %		841 MHz	841 MHz
Insertion Loss		Typ. 3.0 dB	1.68 dB
-3 dB Bandwidth		Typ. 37 MHz	44.4 MHz
Sensitivity (Attenuation)	Fo - 140 MHz	Typ. 47 dBc	50 dBc
	Fo + 140 MHz	Typ. 34 dBc	37 dBc
	Fo - ( )MHz	Typ. dBc	dBc
	Fo +( )MHz	Typ. dBc	dBc
Return Loss		Min. 12 dB	25.6 dB
Ripple		< 1 dB	dB
Impedance		In / Out : 50 Ω	In / Out : 50 Ω

(4) Torque for Tuning Screw > 60gf · cm

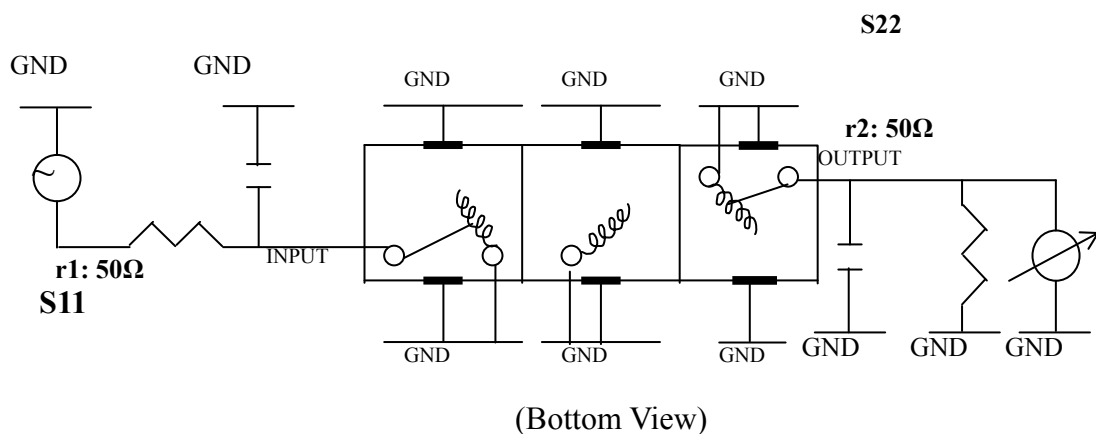
(5) Temperature Condition:

Operating Temperature 0°C ~ +60°C

Storage Temperature -20°C ~ +70°C

(6) Input Power > 0.5Watt

(7) Measuring Circuit: ※Easy to match Impedance S11/S22 50Ω by parallel with about( -- ) / ( -- ).



Approval	Supervisor	Designer	Aperture size
C.Y.Chang	C.K.Chang	F.L.Lai	5W3S(3.8*4.0)(4.06) 5HW046RB3.2

TEMWELL CORPORATION

TEMWELL

Form10-5W3B Vision D

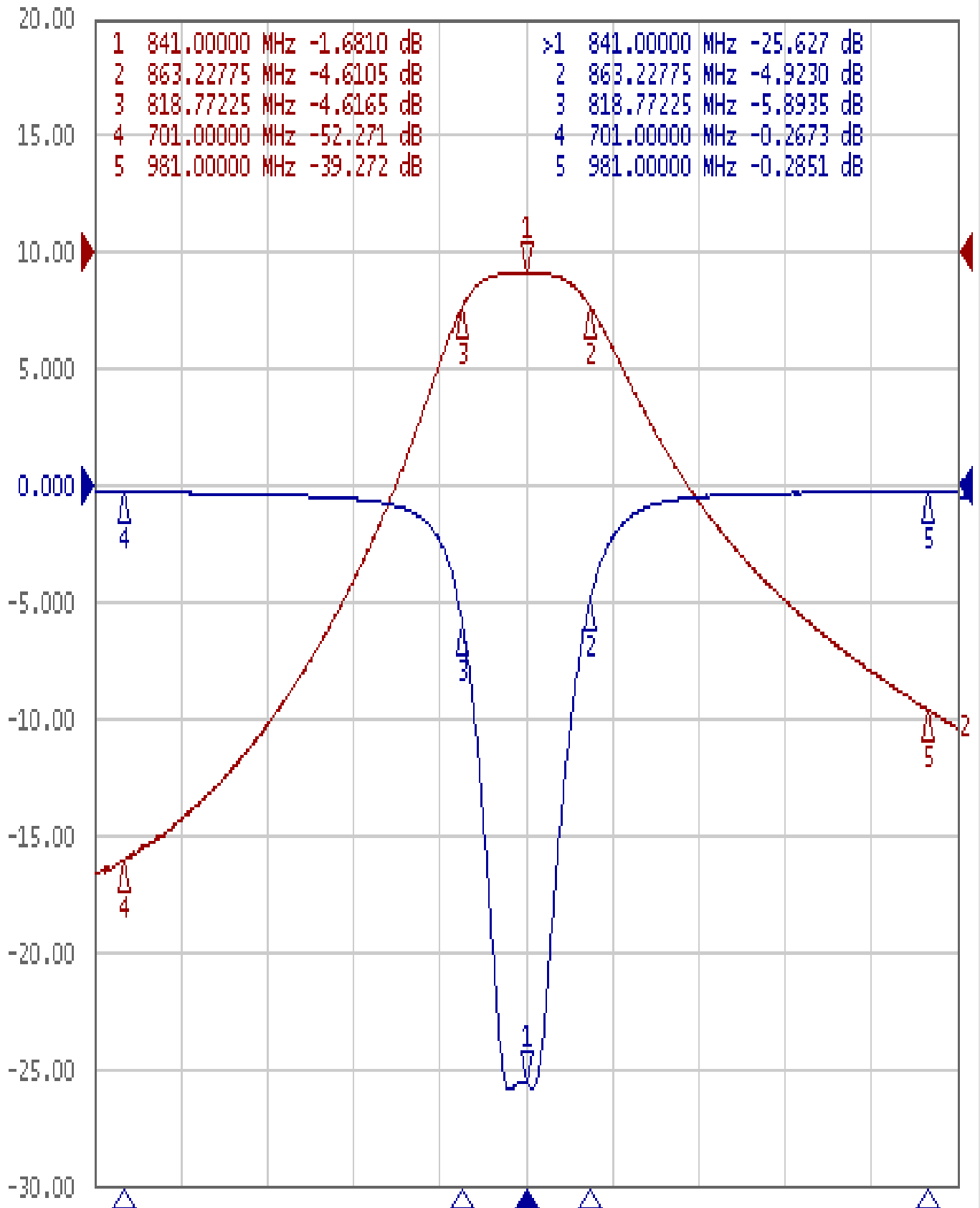
RP( F.L.L )

# Performance-TTW3631B-841M

## 201406032CD

Tr1 S11 Log Mag 5.000dB/ Ref 0.000dB [F2]

Tr2 S21 Log Mag 10.000dB/ Ref 0.000dB [F2]



1 Center 841 MHz

IFBW 10 kHz

Span 300 MHz Cor !