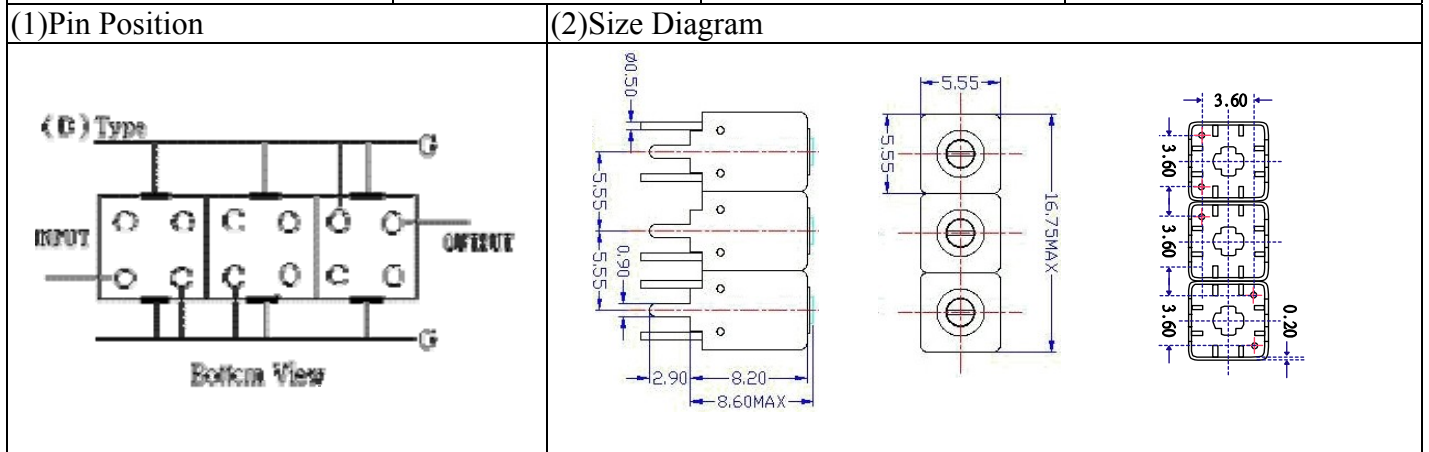


# VHF UHF Helical Filter Specification Sheet

Customer Name		Temwell's Part No.	TTW3630B-435M
Approval No. /dated		Temwell's Print Name.	3630B 435M
Work Instruction No.	201406072CD	Date	Jul.04.2014



(3) Electric Character

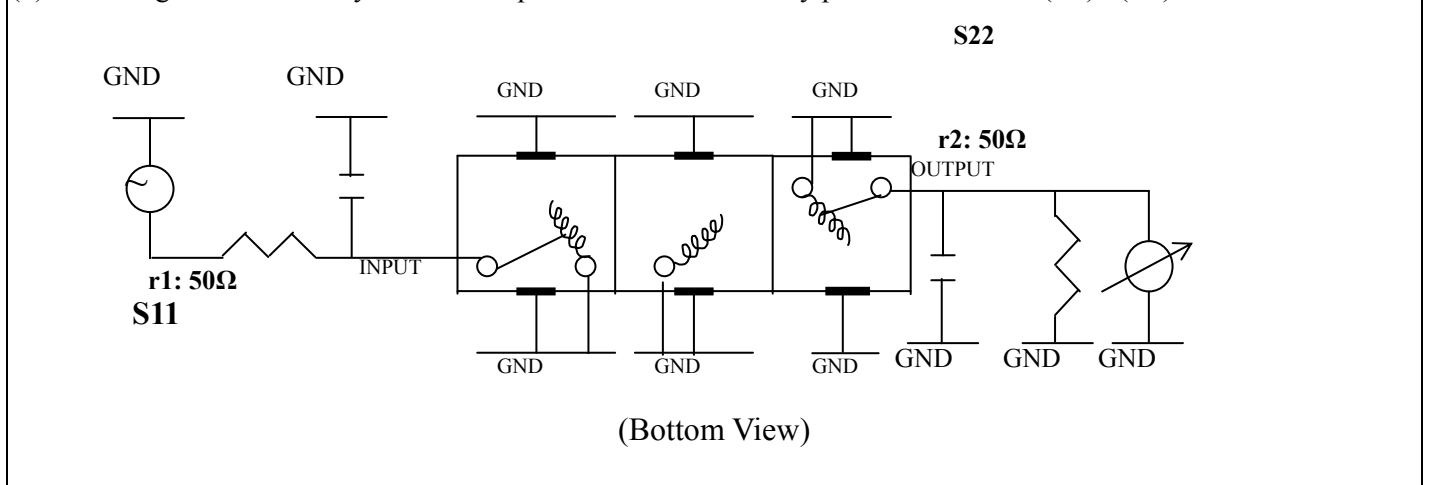
Item	Specify	Performance	
Center Freq.(Fo) +/- 0.5 %	435 MHz	435 MHz	
Insertion Loss	Typ. 2.5 dB	1.81 dB	
-3 dB Bandwidth	Typ. 26 MHz	29.2 MHz	
Sensitivity (Attenuation)	Fo - 140 MHz	Typ. 55 dBc	77 dBc
	Fo + 140 MHz	Typ. 55 dBc	61 dBc
	Fo - ( )MHz	Typ. dBc	dBc
	Fo + ( )MHz	Typ. dBc	dBc
Return Loss	Min. 12 dB	35.0 dB	
Ripple	< 1 dB	dB	
Impedance	In / Out : 50 Ω	In / Out : 50 Ω	
(4) Torque for Tuning Screw	> 60gf · cm		

(5) Temperature Condition:

Operating Temperature	0°C ~ +60°C
Storage Temperature	-20°C ~ +70°C

(6) Input Power

(7) Measuring Circuit: ※Easy to match Impedance S11/S22 50Ω by parallel with about( -- ) / ( -- ).



Approval	Supervisor	Designer	Aperture size
C.Y.Chang	C.K.Chang	C.S.Chang	5W3S(3.8*4.0)(4.08) 5HW024LB3.6

TEMWELL CORPORATION

# Performance-TTW3630B-435M

## 201406072CD

Tr1 S11 Log Mag 5.000dB/ Ref 0.000dB [F2]  
Tr2 S21 Log Mag 10.00dB/ Ref 0.000dB [F2]

