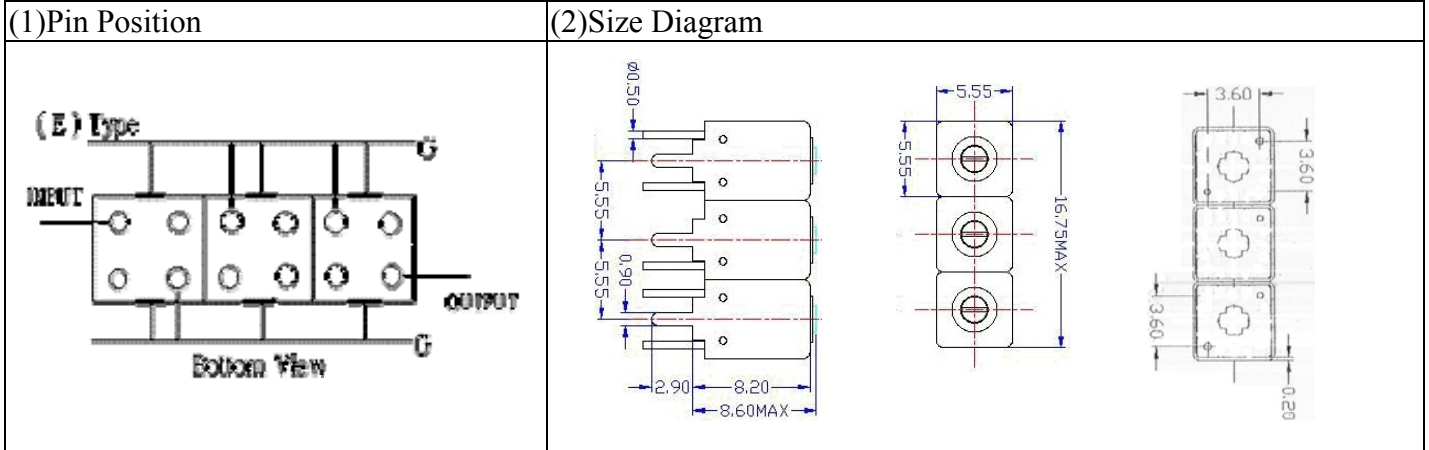


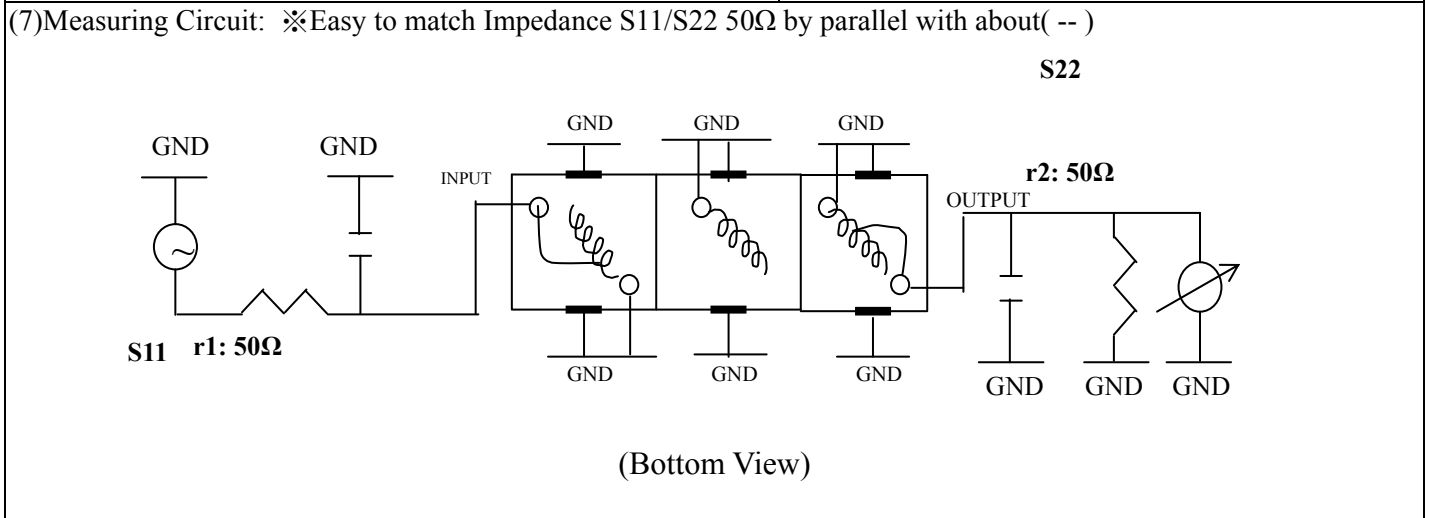
# VHF UHF Helical Filter Specification Sheet

Customer Name		Temwell's Part No.	TTW3607E-1880M
Approval No. /dated	201407082CD	Temwell's Print Name.	3607E 1880M
Work Instruction No.	201407082CD	Date	Nov.28.2014



(3) Electric Character

Item	Specify	Performance
Center Freq.(Fo) +/- 0.5 %	1880 MHz	1880 MHz
Insertion Loss	Typ. 3.5 dB	2.35 dB
-3 dB Bandwidth	Typ. 54 MHz	67.5 MHz
Sensitivity (Attenuation)	Fo - 100 MHz	Typ. 24 dBc
	Fo +100 MHz	Typ. 18 dBc
	Fo - ( )MHz	Typ. dBc
	Fo +( )MHz	Typ. dBc
Return Loss	Min. 12 dB	18.0 dB
Ripple	< 1 dB	dB
Impedance	In / Out : 50 Ω	In / Out : 50 Ω
(4) Torque for Tuning Screw	> 60gf • cm	
(5) Temperature Condition:		
Operating Temperature	0°C ~ +60°C	
Storage Temperature	-20°C ~ +70°C	
(6) Input Power	> 0.5Watt	



Approval	Supervisor	Designer	Aperture size
C.Y.Chang	C.K.Chang	C.S.Chang	5W3S(3.8*4.0)(4.06) 5HW046RB3.2 (J1)

TEMWELL CORPORATION

# Performance-TTW3607E-1880M

## 201407082CD

Tr1 S11 Log Mag 5.000dB/ Ref 0.000dB [F2]  
Tr2 S21 Log Mag 10.00dB/ Ref 0.000dB [F2]

