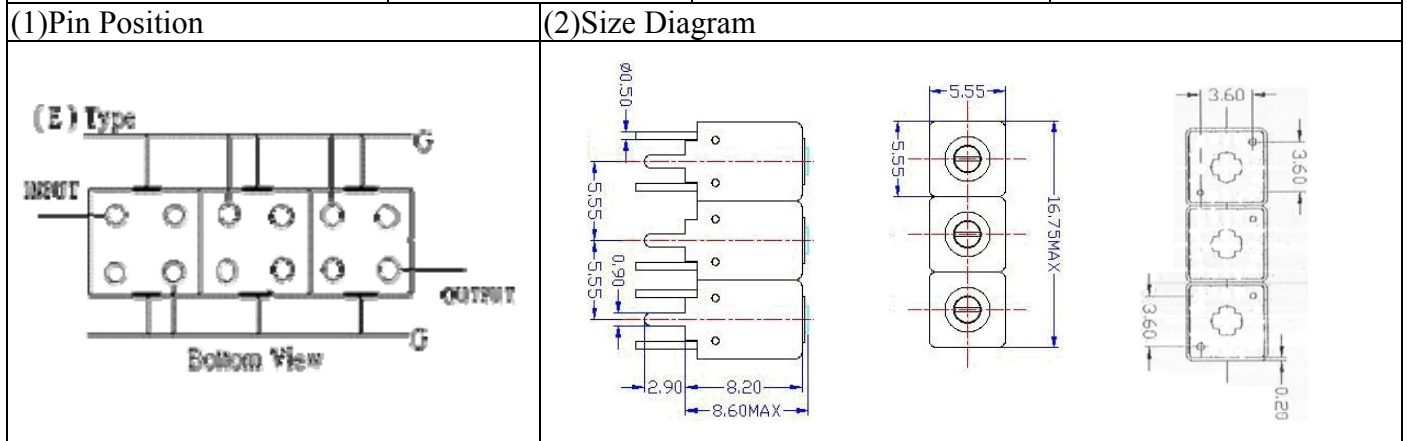
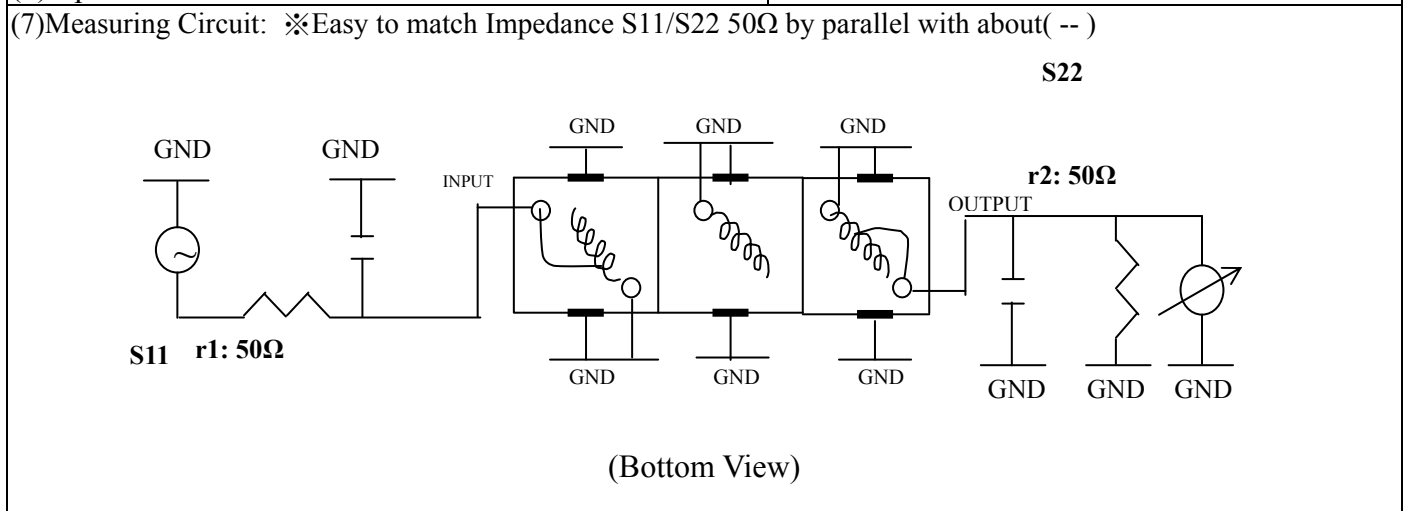


VHF UHF Helical Filter Specification Sheet

Customer Name		Temwell's Part No.	TTW3603E-1880M
Approval No. /dated	201407081CD	Temwell's Print Name.	3603E 1880M
Work Instruction No.	201407081CD	Date	Feb.12.2014



(3) Electric Character			
Item		Specify	Performance
Center Freq.(Fo) +/- 0.5 %		1880 MHz	1880 MHz
Insertion Loss		Typ. 3.0 dB	1.76 dB
-3 dB Bandwidth		Typ. 87 MHz	99.4 MHz
Sensitivity (Attenuation)	Fo - 150 MHz	Typ. 32 dBc	35 dBc
	Fo +150 MHz	Typ. 21 dBc	24 dBc
	Fo - ()MHz	Typ. dBc	dBc
	Fo +()MHz	Typ. dBc	dBc
Return Loss		Min. 12 dB	22.3 dB
Ripple		< 1 dB	dB
Impedance		In / Out : 50 Ω	In / Out : 50 Ω
(4) Torque for Tuning Screw		> 60gf · cm	
(5) Temperature Condition:			
Operating Temperature		0°C ~ +60°C	
Storage Temperature		-20°C ~ +70°C	
(6) Input Power		> 0.5Watt	



Approval	Supervisor	Designer	Aperture size
C.Y.Chang	C.K.Chang	C.S.Chang	5W3S(3.8*5.1)(5.16) 5HW046RB3.2(J1)

TEMWELL CORPORATION

Performance-TTW3603E-1880M

201407081CD

Tr1 S11 Log Mag 5.000dB/ Ref 0.000dB [F2]
Tr2 S21 Log Mag 10.00dB/ Ref 0.000dB [F2]

