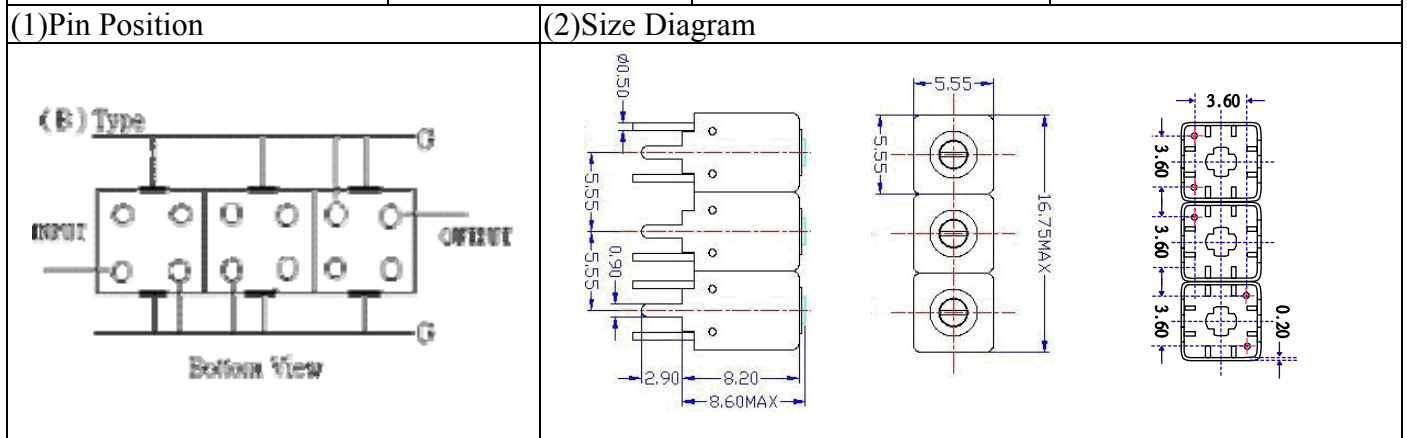


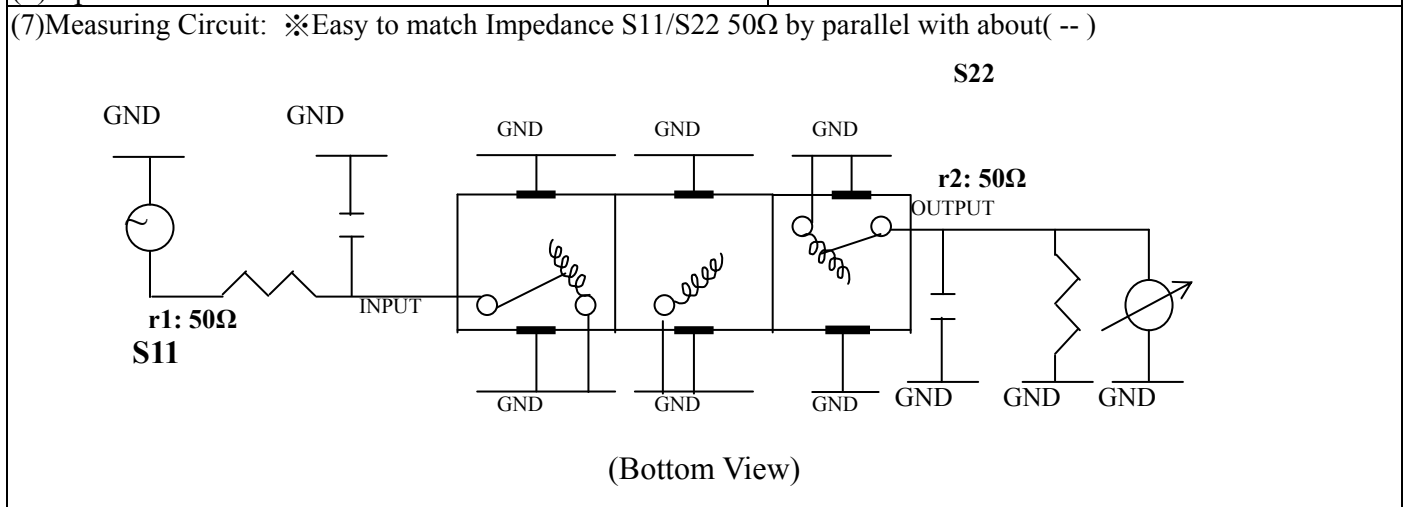
VHF UHF Helical Filter Specification Sheet

Customer Name		Temwell's Part No.	TTW3598B-1170M
Approval No. /dated	201407026CD	Temwell's Print Name.	3598B 1170M
Work Instruction No.	201407026CD	Date	Jul.10.2014



(3) Electric Character			
Item		Specify	Performance
Center Freq.(Fo) +/- 0.5 %		1170 MHz	1170 MHz
Insertion Loss		Typ. 3.5 dB	2.64 dB
-3 dB Bandwidth		Typ. 32 MHz	39.8 MHz
Sensitivity (Attenuation)	Fo - 100 MHz	Typ. 39 dBc	42 dBc
	Fo + 100 MHz	Typ. 26 dBc	29 dBc
	Fo - ()MHz	Typ. dBc	dBc
	Fo +()MHz	Typ. dBc	dBc
Return Loss		Min. 12 dB	39.4 dB
Ripple		< 1 dB	dB
Impedance		In / Out : 50 Ω	In / Out : 50 Ω
(4) Torque for Tuning Screw		> 60gf · cm	

(5) Temperature Condition:	
Operating Temperature	0°C ~ +60°C
Storage Temperature	-20°C ~ +70°C
(6) Input Power	> 0.5Watt

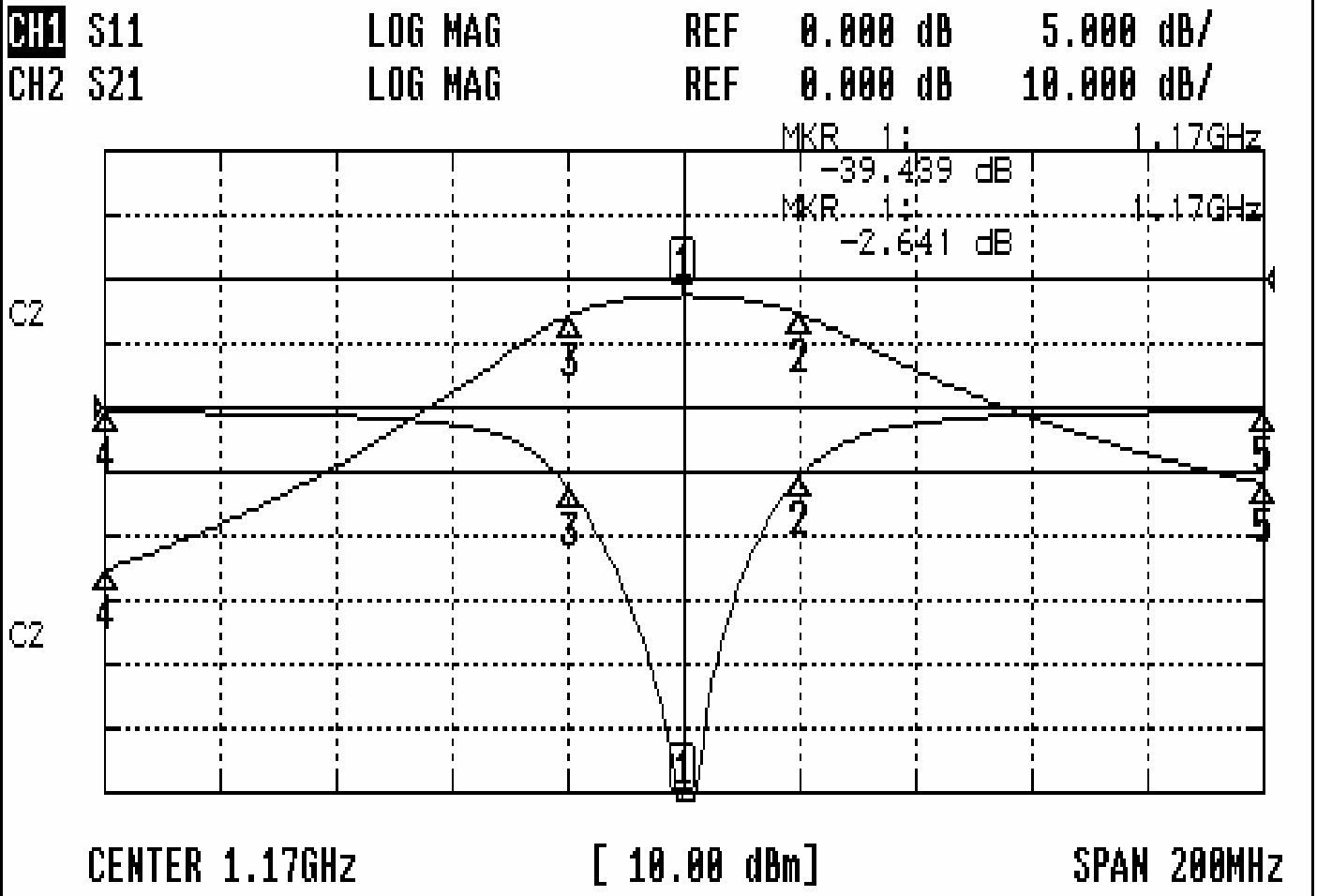


Approval C.Y.Chang	Supervisor C.K.Chang	Designer C.H.Yeh	Aperture size 5W3S(3.8*4.5)(4.58) 5HW024RB3
-----------------------	-------------------------	---------------------	---

TEMWELL CORPORATION

Performance-TTW3598B-1170M

201407026CD



CH1 MARKER LIST			
1:	1.170	000GHz	-39.439 dB
2:	1.190	166GHz	-39.439 dB
3:	1.150	333GHz	-39.439 dB
4:	1.070	000GHz	-39.439 dB
5:	1.270	000GHz	-39.439 dB

CH2 MARKER LIST			
1:	1.170	000GHz	-2.641 dB
2:	1.190	166GHz	-2.641 dB
3:	1.150	333GHz	-2.641 dB
4:	1.070	000GHz	-2.641 dB
5:	1.270	000GHz	-2.641 dB