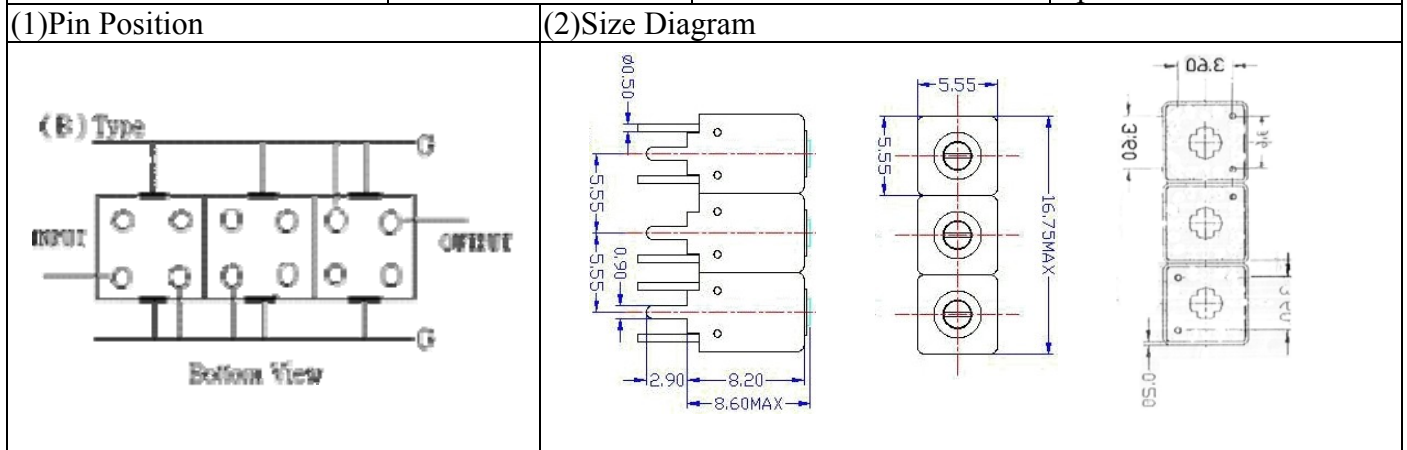
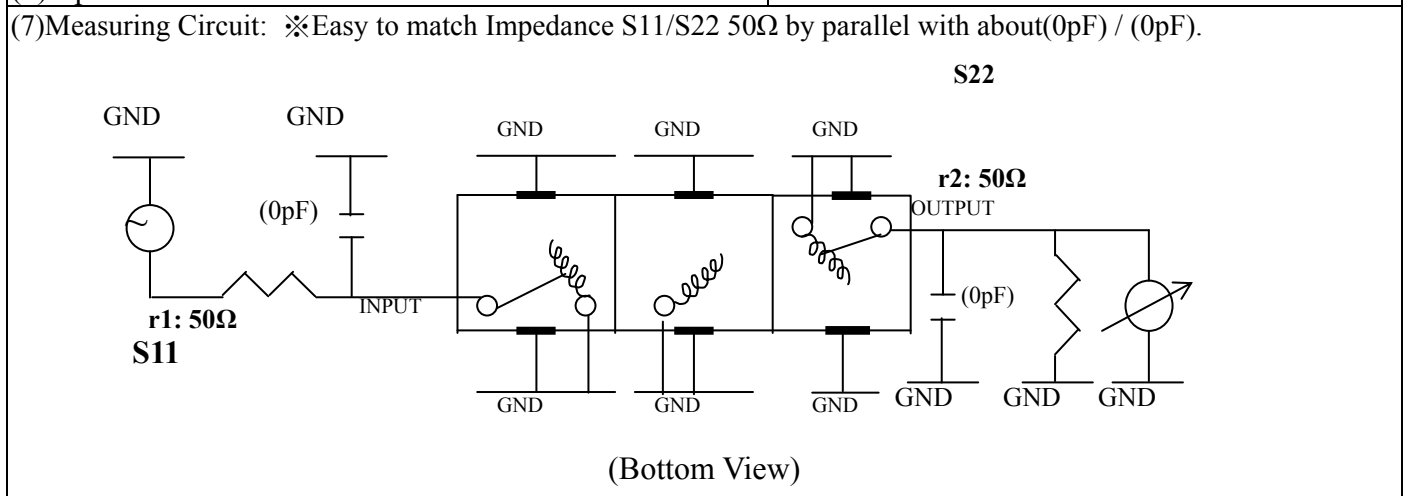


VHF UHF Helical Filter Specification Sheet

Customer Name		Temwell's Part No.	TTW3596B-1130M
Approval No. /dated	0904041CD	Temwell's Print Name.	3596B 1130M
Work Instruction No.	200904041CD	Date	Apr.29.2009



(3) Electric Character					
Item		Specify		Performance	
Center Freq.(Fo) +/- 0.5 %		1130 MHz		1130 MHz	
Tunable Range:		1130±3 MHz		1130±3 MHz	
Insertion Loss		Typ. 4.0 dB		2.67 dB	
-3 dB Bandwidth		Typ. 30 MHz		38.0 MHz	
Sensitivity (Attenuation)	Fo - 50 MHz	Typ. 24 dBc		29 dBc	
	Fo + 50 MHz	Typ. 17 dBc		22 dBc	
	Fo - ()MHz	Typ. dBc		dBc	
	Fo +()MHz	Typ. dBc		dBc	
Return Loss		Min. 12 dB		20.1 dB	
Ripple		< 1 dB		dB	
Impedance		In / Out : 50 Ω		In / Out : 50 Ω	
(4) Torque for Tuning Screw		> 60gf · cm			
(5) Temperature Condition:					
Operating Temperature		0°C ~ +60°C			
Storage Temperature		-20°C ~ +70°C			
(6) Input Power		> 0.5Watt			



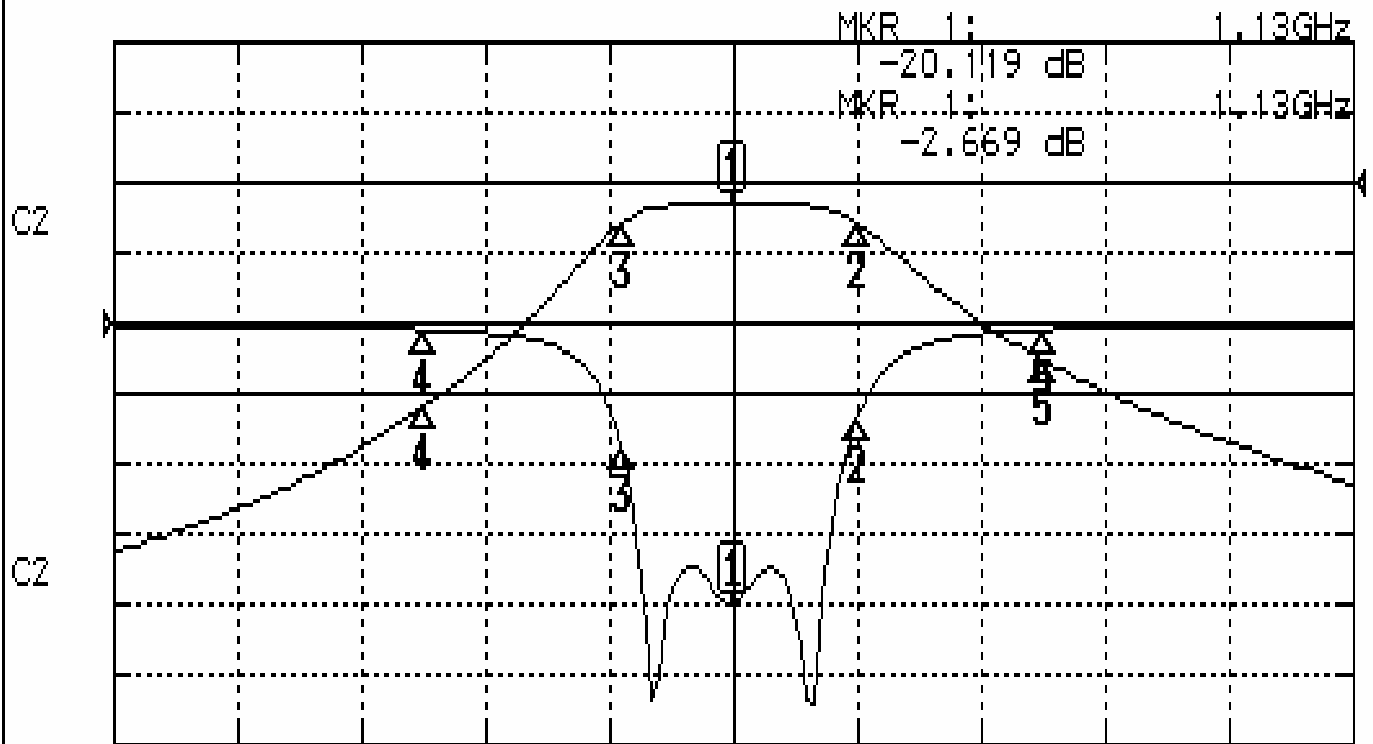
Approval	Supervisor	Designer	Aperture size
C.Y.Chang	C.K.Chang	C.H.Yeh	5W3S(3.8*3.5)(3.59) 5HW024RB3

TEMWELL CORPORATION

Performance-TTW3596B-1130M

200904041CD

CH1 S11 LOG MAG REF 0.000 dB 5.000 dB/
 CH2 S21 LOG MAG REF 0.000 dB 10.000 dB/



CENTER 1.13GHz

[10.00 dBm]

SPAN 200MHz

CH1 MARKER LIST

1:	1.130	000GHz	-20.119	dB
2:	1.150	000GHz	-16.865	dB
3:	1.112	000GHz	-8.743	dB
4:	1.080	000GHz	-0.460	dB
5:	1.180	000GHz	-0.467	dB

CH2 MARKER LIST

1:	1.130	000GHz	-2.673	dB
2:	1.150	000GHz	-1.666	dB
3:	1.112	000GHz	-1.150	dB
4:	1.080	000GHz	-32.042	dB
5:	1.180	000GHz	-25.239	dB