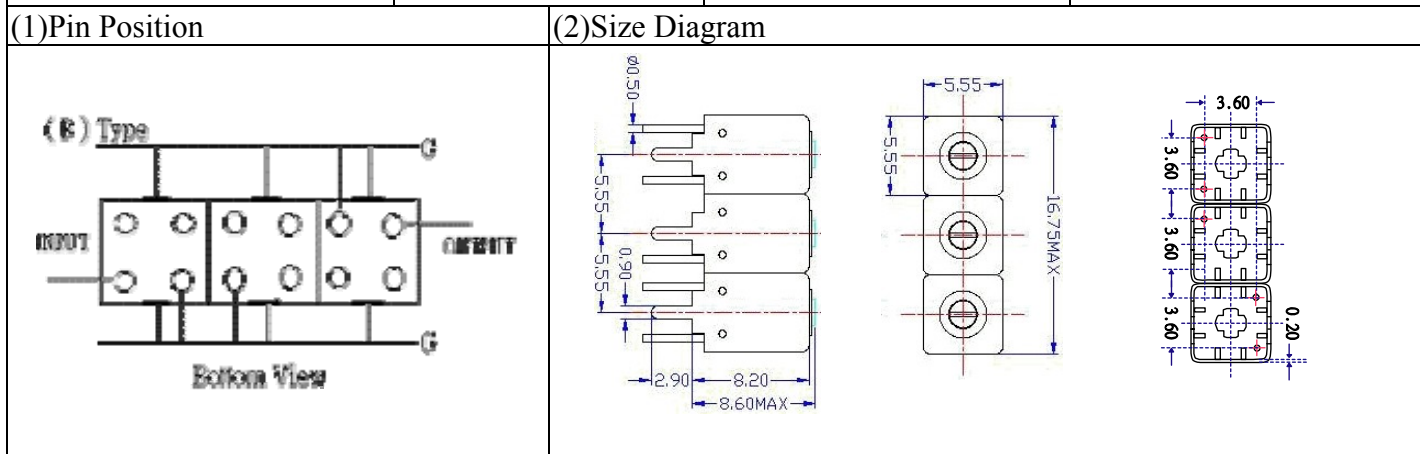


VHF UHF Helical Filter Specification Sheet

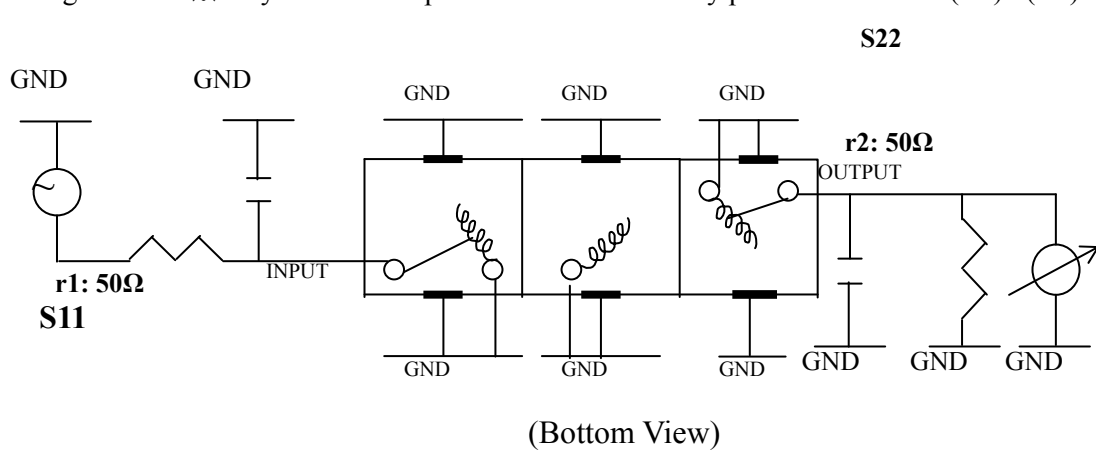
Customer Name		Temwell's Part No.	TTW3592B-1025M
Approval No. /dated	201407024CD	Temwell's Print Name.	3592B 1025M
Work Instruction No.	201407024CD	Date	Jul.07.2014



(3) Electric Character

Item	Specify	Performance
Center Freq.(Fo) +/- 0.5 %	1025 MHz	1025 MHz
Insertion Loss	Typ. 3.5 dB	2.74 dB
-3 dB Bandwidth	Typ. 31 MHz	37.8 MHz
Sensitivity (Attenuation)	Fo - 50 MHz	Typ. 21 dBc
	Fo + 50 MHz	Typ. 14 dBc
	Fo - ()MHz	Typ. dBc
	Fo + ()MHz	Typ. dBc
Return Loss	Min. 12 dB	27.0 dB
Ripple	< 1 dB	dB
Impedance	In / Out : 50 Ω	In / Out : 50 Ω
(4) Torque for Tuning Screw	> 60gf · cm	
(5) Temperature Condition:		
Operating Temperature	0°C ~ +60°C	
Storage Temperature	-20°C ~ +70°C	
(6) Input Power	> 0.5Watt	

(7) Measuring Circuit: ※Easy to match Impedance S11/S22 50Ω by parallel with about(--) / (--).

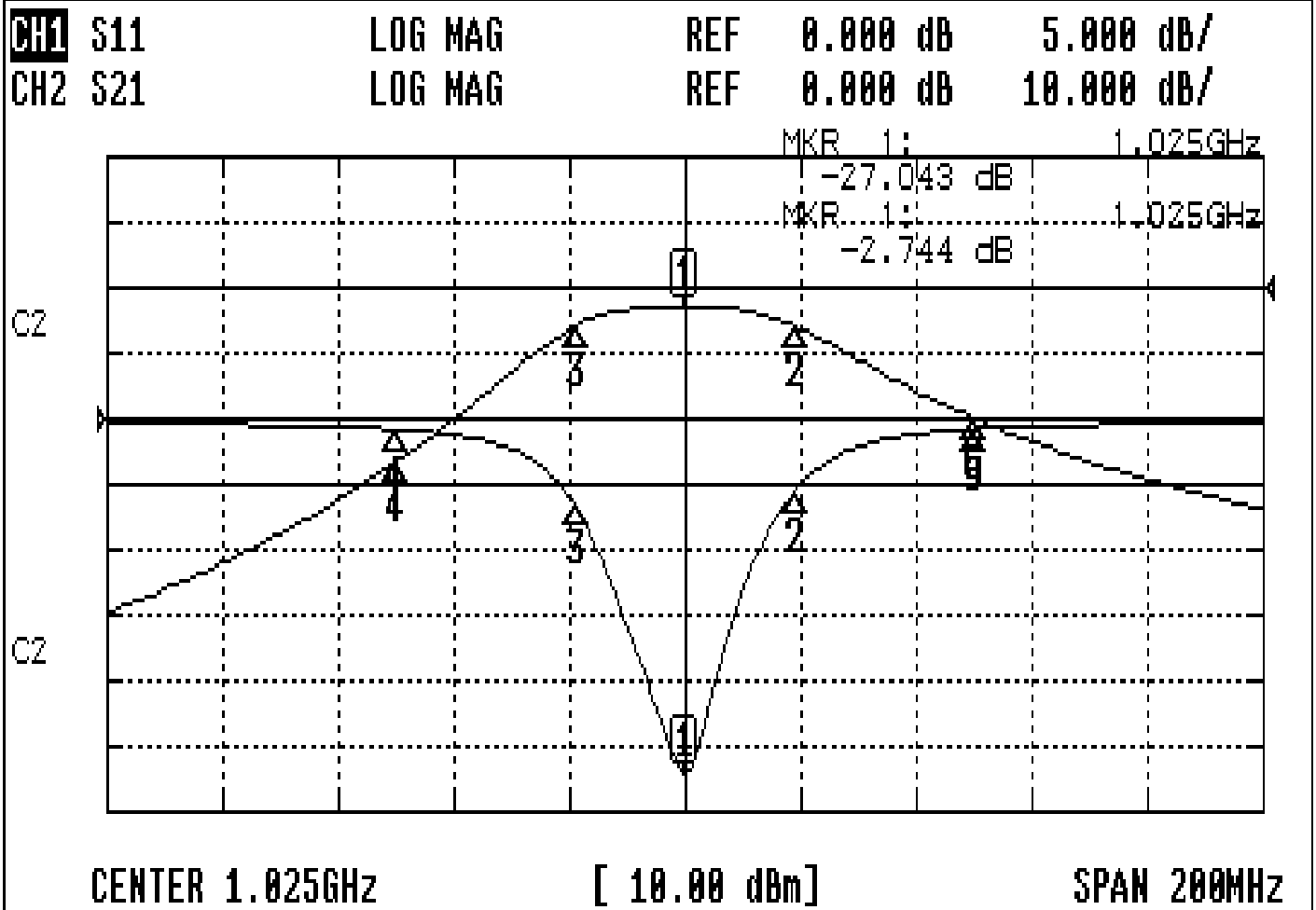


Approval C.Y.Chang	Supervisor C.K.Chang	Designer C.H.Yeh	Aperture size 5W3S(3.8*5.1)(5.15) 5HW024RB3
-----------------------	-------------------------	---------------------	---

TEMWELL CORPORATION

Performance-TTW3592B-1025M

201407024CD



CH1 MARKER LIST

1:	1.025 000GHz	-27.054 dB
2:	1.044 000GHz	-5.509 dB
3:	1.006 166GHz	-6.706 dB
4:	975.000MHz	-0.810 dB
5:	1.075 000GHz	-0.754 dB

CH2 MARKER LIST

1:	1.025 000GHz	-2.744 dB
2:	1.044 000GHz	-5.778 dB
3:	1.006 166GHz	-5.733 dB
4:	975.000MHz	-26.642 dB
5:	1.075 000GHz	-19.872 dB