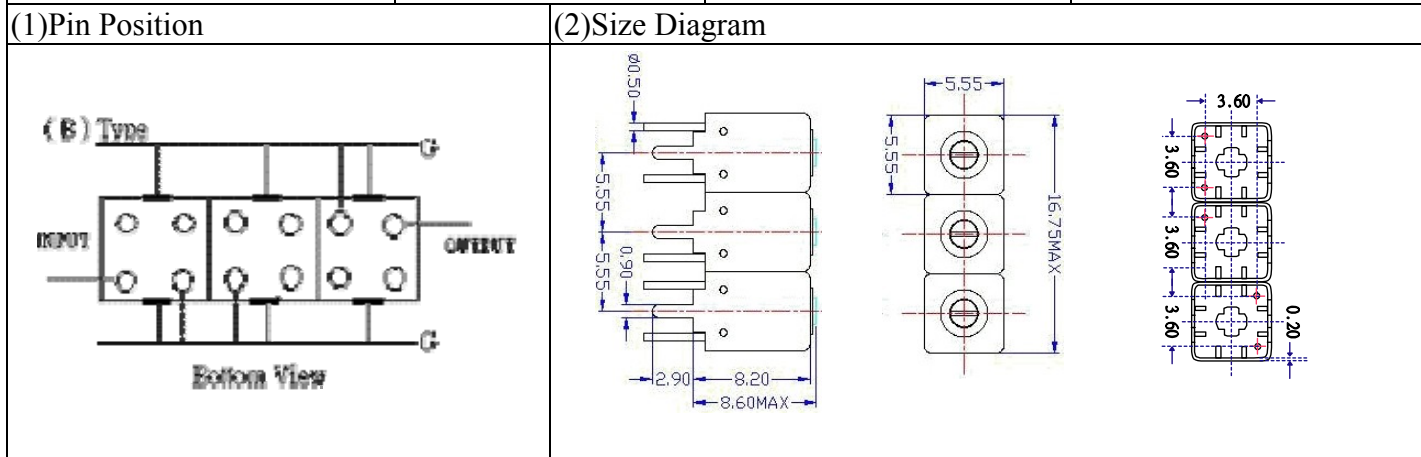


# VHF UHF Helical Filter Specification Sheet

Customer Name		Temwell's Part No.	TTW3590B-1600M
Approval No. /dated	201407125CD	Temwell's Print Name.	3590B 1600M
Work Instruction No.	201407125CD	Date	Dec.09.2014



(3) Electric Character

Item	Specify	Performance
Center Freq.(Fo) +/- 0.5 %	1600 MHz	1600 MHz
Insertion Loss	Typ. 4.0 dB	2.75 dB
-3 dB Bandwidth	Typ. 34 MHz	45.8 MHz
Sensitivity (Attenuation)	Fo - 100 MHz	Typ. 35 dBc
	Fo + 100 MHz	Typ. 25 dBc
	Fo - ( )MHz	Typ. dBc
	Fo +( )MHz	Typ. dBc
Return Loss	Min. 12 dB	36.0 dB
Ripple	< 1 dB	
Impedance	In / Out : 50 Ω	In / Out : 50 Ω

(4) Torque for Tuning Screw

> 60gf · cm

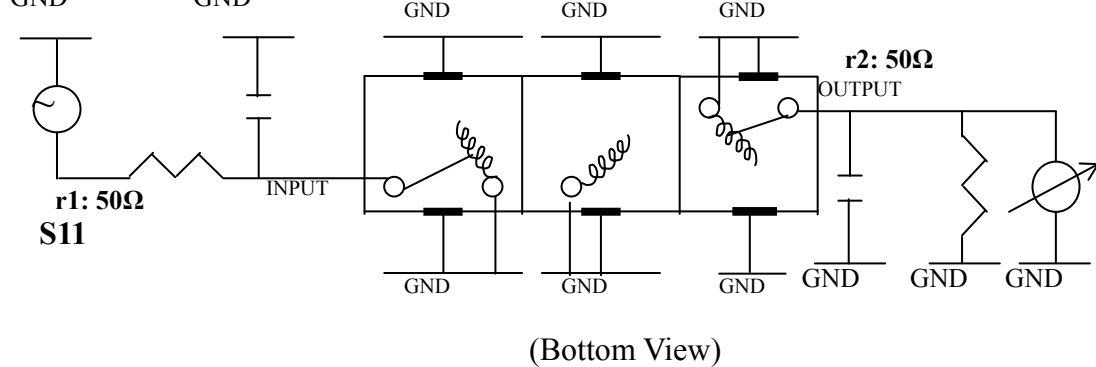
(5) Temperature Condition:

Operating Temperature	0°C ~ +60°C
Storage Temperature	-20°C ~ +70°C

(6) Input Power

> 0.5Watt

(7) Measuring Circuit: ※Easy to match Impedance S11/S22 50Ω by parallel with about( -- ) / ( -- ).



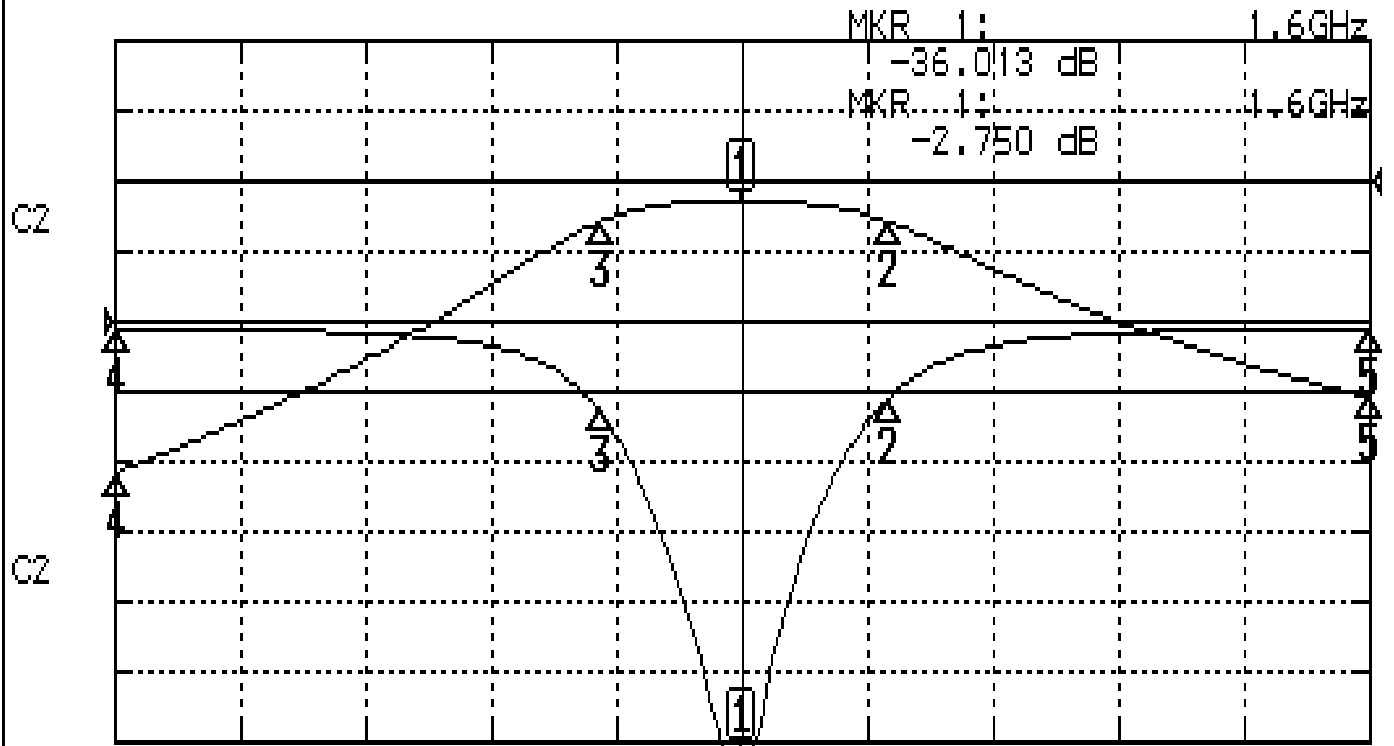
Approval	Supervisor	Designer	Aperture size
C.Y.Chang	C.K.Chang	J.Yang	5W3S(3.8*4.0)(4.02) 5HW024RB3

TEMWELL CORPORATION

# Performance-TTW3590B-1600M

## 201407125CD

**CH1** S11                    LOG MAG                    REF   0.000 dB            5.000 dB/  
**CH2** S21                    LOG MAG                    REF   0.000 dB            10.000 dB/



CENTER 1.6GHz

[ 10.00 dBm ]

SPAN 200MHz

### CH1 MARKER LIST

1:	1.600	000GHz	-35.946	dB
2:	1.623	166GHz	-5.501	dB
3:	1.577	333GHz	-6.402	dB
4:	1.500	000GHz	-0.400	dB
5:	1.700	000GHz	-0.400	dB

10:

### CH2 MARKER LIST

1:	1.600	000GHz	-2.750	dB
2:	1.623	166GHz	-5.780	dB
3:	1.577	333GHz	-5.753	dB
4:	1.500	000GHz	-41.500	dB
5:	1.700	000GHz	-30.760	dB

10: