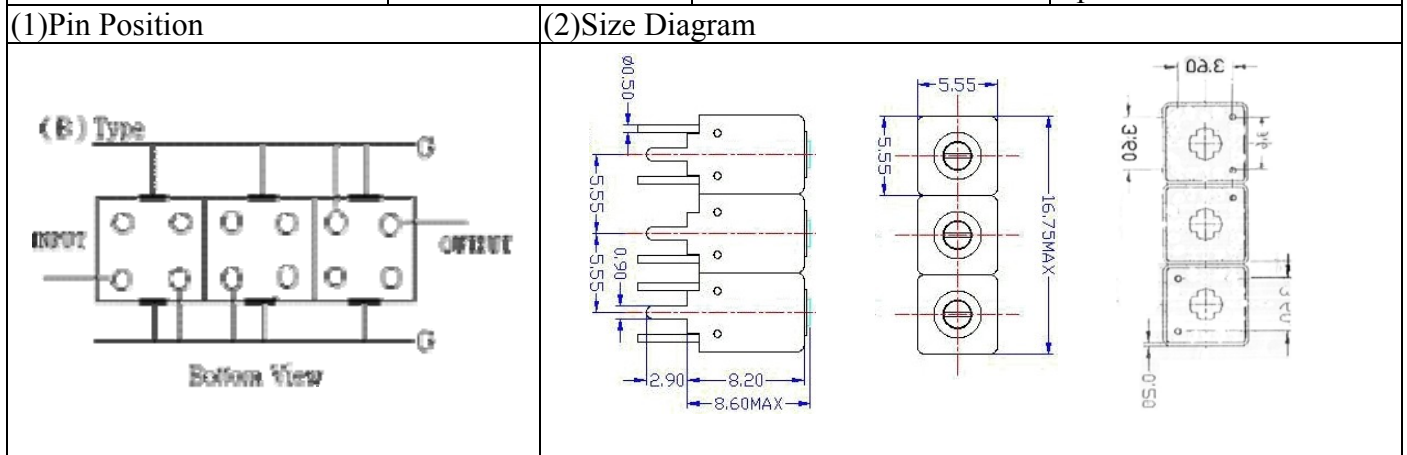
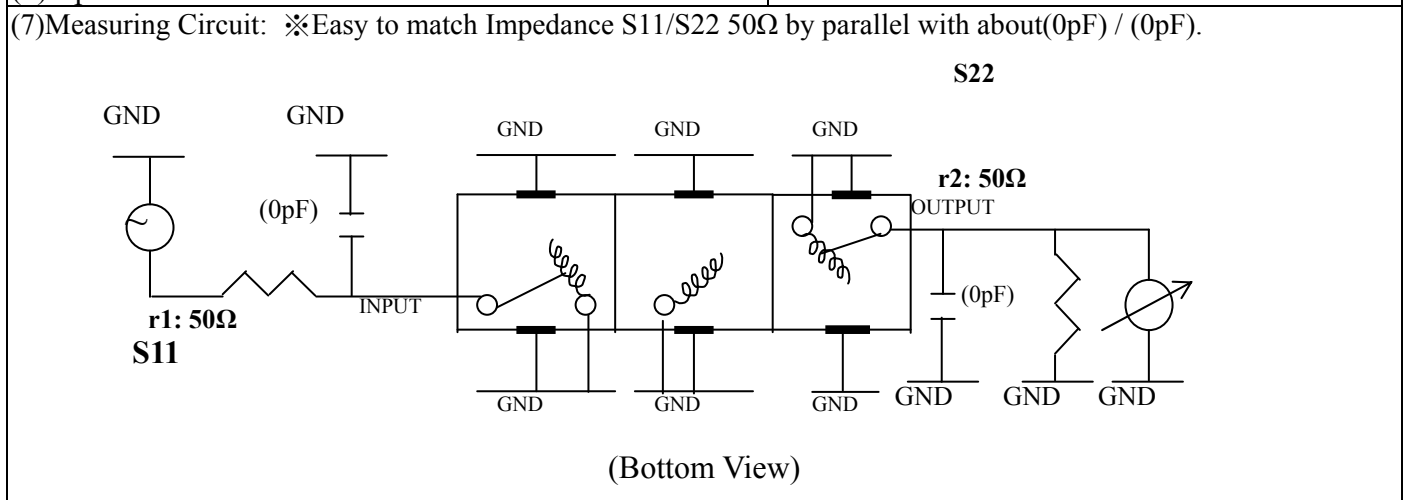


VHF UHF Helical Filter Specification Sheet

Customer Name		Temwell's Part No.	TTW3586B-1525M
Approval No. /dated	0904044CD	Temwell's Print Name.	3586B 1525M
Work Instruction No.	200904044CD	Date	Apr.21.2009



(3) Electric Character			
Item		Specify	Performance
Center Freq.(Fo) +/- 0.5 %		1525 MHz	1525 MHz
Tunable Range:		1525±3 MHz	1525±3 MHz
Insertion Loss		Typ. 4.0 dB	3.01 dB
-3 dB Bandwidth		Typ. 35 MHz	47.1 MHz
Sensitivity (Attenuation)	Fo - (100) MHz	Typ. 36 dBc	42 dBc
	Fo +(100) MHz	Typ. 25 dBc	29 dBc
	Fo - ()MHz	Typ. dBc	dBc
	Fo +()MHz	Typ. dBc	dBc
Return Loss		Min. 12 dB	22.8 dB
Ripple		< 1 dB	dB
Impedance		In / Out : 50 Ω	In / Out : 50 Ω
(4) Torque for Tuning Screw		> 60gf · cm	
(5) Temperature Condition:			
Operating Temperature		0°C ~ +60°C	
Storage Temperature		-20°C ~ +70°C	
(6) Input Power		> 0.5Watt	



Approval C.Y.Chang	Supervisor C.K.Chang	Designer Y.H.Yeh	Aperture size 5W3S(3.8*4.0)(4.05) 5HW024RB3
-----------------------	-------------------------	---------------------	---

TEMWELL CORPORATION

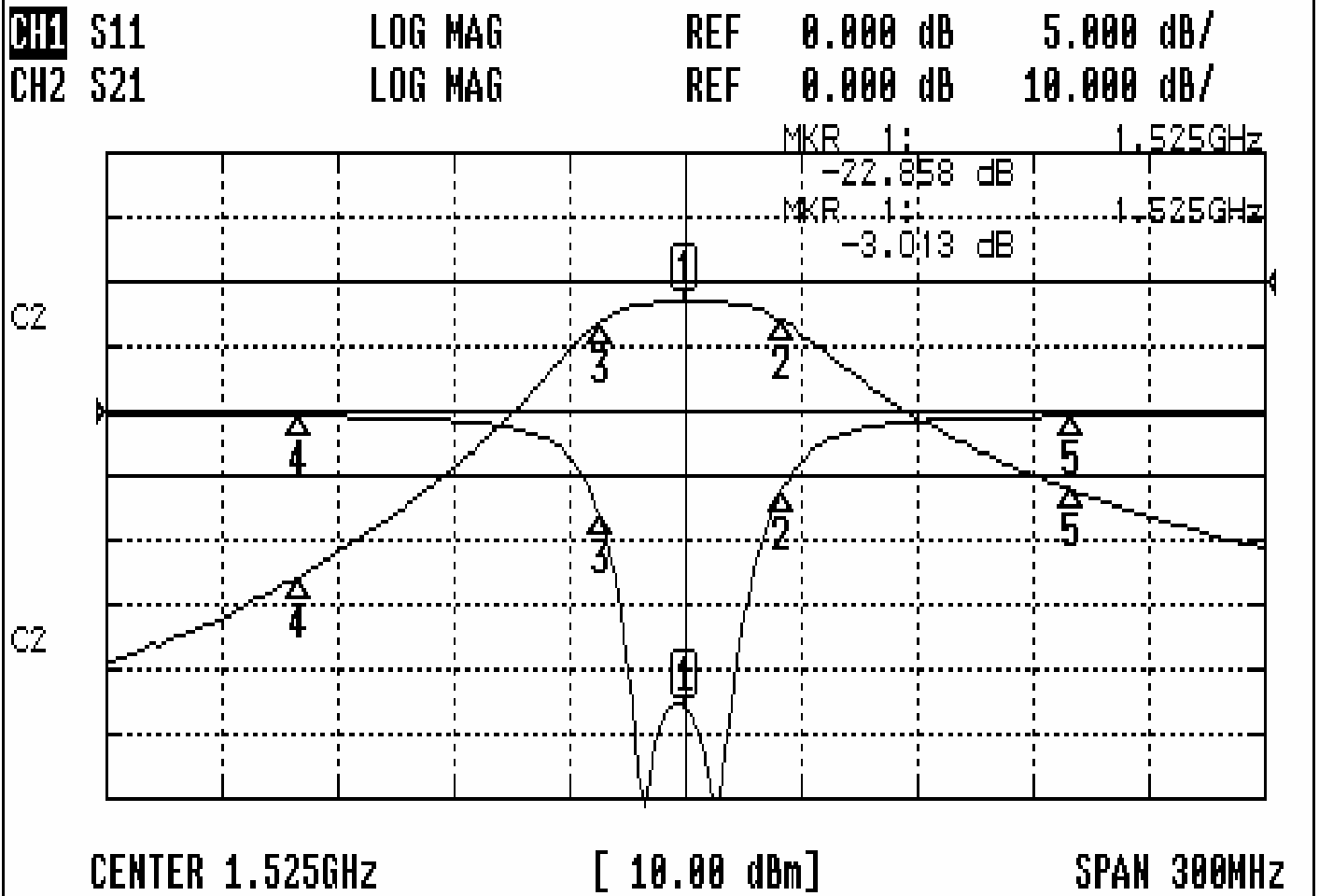
TEMWELL

Form10-5W3B Vision D

RP(Y.H.Y)

Performance-TTW3586B-1525M

200904044CD



CH1 MARKER LIST

1:	1.525	000GHz	-22.858	dB
2:	1.550	200GHz	-6.189	dB
3:	1.503	100GHz	-8.258	dB
4:	1.425	000GHz	-0.376	dB
5:	1.625	000GHz	-0.413	dB
6:				
7:				
8:				
9:				
10:				

CH2 MARKER LIST

1:	1.525	000GHz	-3.012	dB
2:	1.550	200GHz	-6.020	dB
3:	1.503	100GHz	-6.043	dB
4:	1.425	000GHz	-45.537	dB
5:	1.625	000GHz	-32.214	dB
6:				
7:				
8:				
9:				
10:				