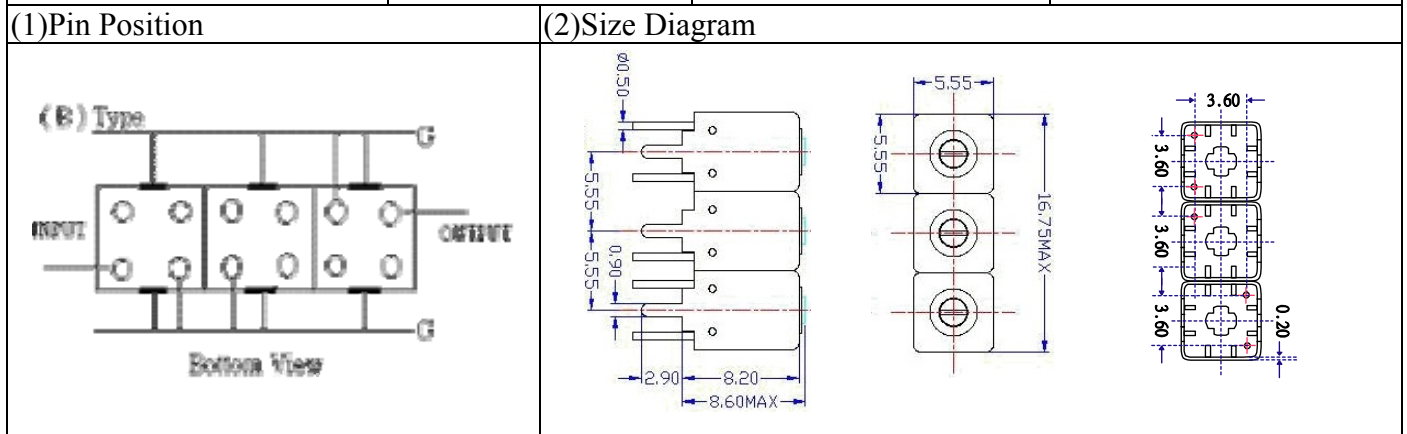


VHF UHF Helical Filter Specification Sheet

Customer Name		Temwell's Part No.	TTW3567B-960M
Approval No. /dated	201406027CD	Temwell's Print Name.	3567B 960M
Work Instruction No.	201406027CD	Date	Jun.18.2014



(3) Electric Character			
Item		Specify	Performance
Center Freq.(Fo) +/- 0.5 %		960 MHz	960 MHz
Insertion Loss		Typ. 9.0 dB	5.69 dB
-3 dB Bandwidth		Typ. 4 MHz	15.0 MHz
Sensitivity (Attenuation)	Fo - 50 MHz	Typ. 43 dBc	46 dBc
	Fo + 50 MHz	Typ. 34 dBc	37 dBc
	Fo - ()MHz	Typ. dBc	dBc
	Fo +()MHz	Typ. dBc	dBc
Return Loss		Min. 12 dB	24.5 dB
Ripple		< 1 dB	dB
Impedance		In / Out : 50 Ω	In / Out : 50 Ω

(4) Torque for Tuning Screw > 60gf · cm

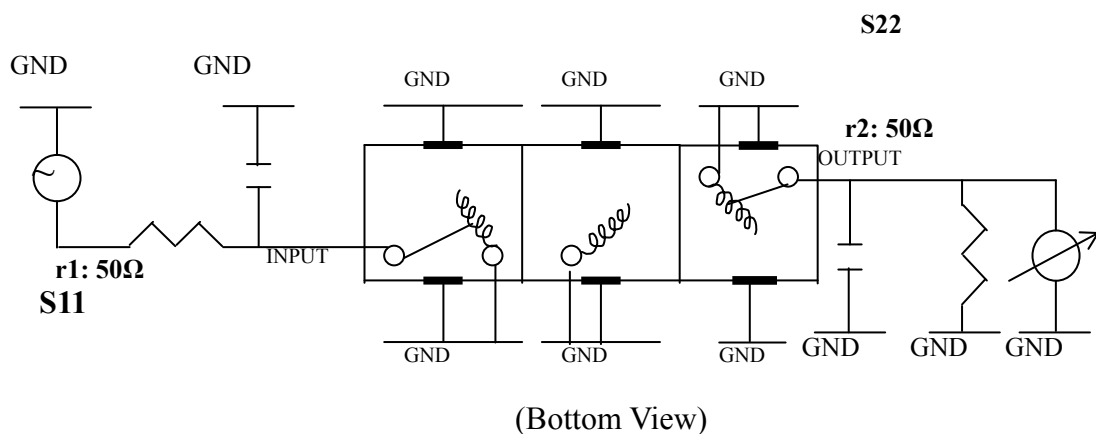
(5) Temperature Condition:

Operating Temperature 0°C ~ +60°C

Storage Temperature -20°C ~ +70°C

(6) Input Power > 0.5Watt

(7) Measuring Circuit: ※Easy to match Impedance S11/S22 50Ω by parallel with about(--) / (--).



Approval	Supervisor	Designer	Aperture size
C.Y.Chang	C.K.Chang	F.L.Lai	5W3S(3.8*3.5)(3.55) 5HW02RB3

TEMWELL CORPORATION

TEMWELL

Form10-5W3B Vision D

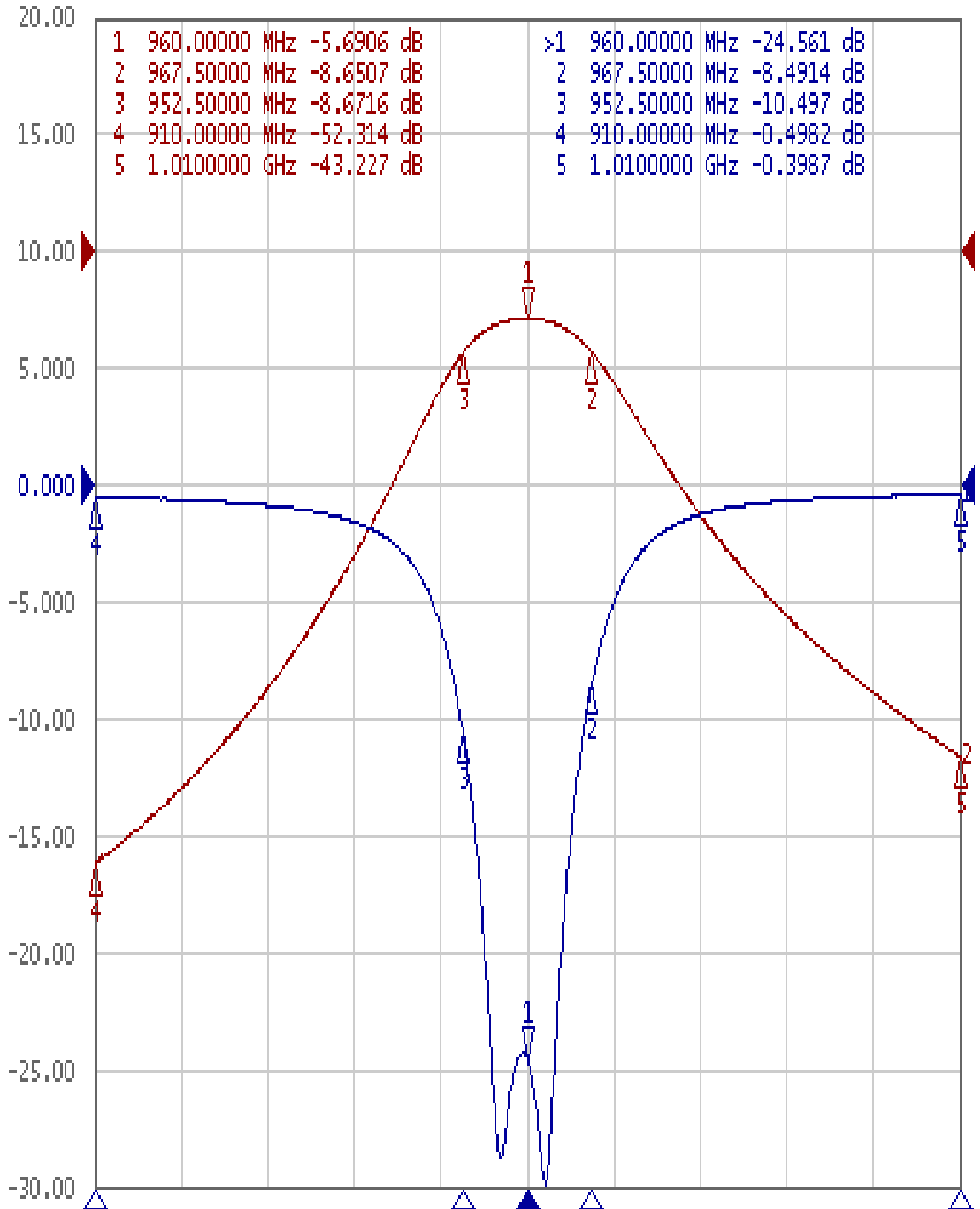
RP(F.L.L)

Performance-TTW3567B-960M

201406027CD

Tr1 S11 Log Mag 5.000dB/ Ref 0.000dB [F2]

Tr2 S21 Log Mag 10.000dB/ Ref 0.000dB [F2]



1 Center 960 MHz

IFBW 10 kHz

Span 100 MHz Cor !