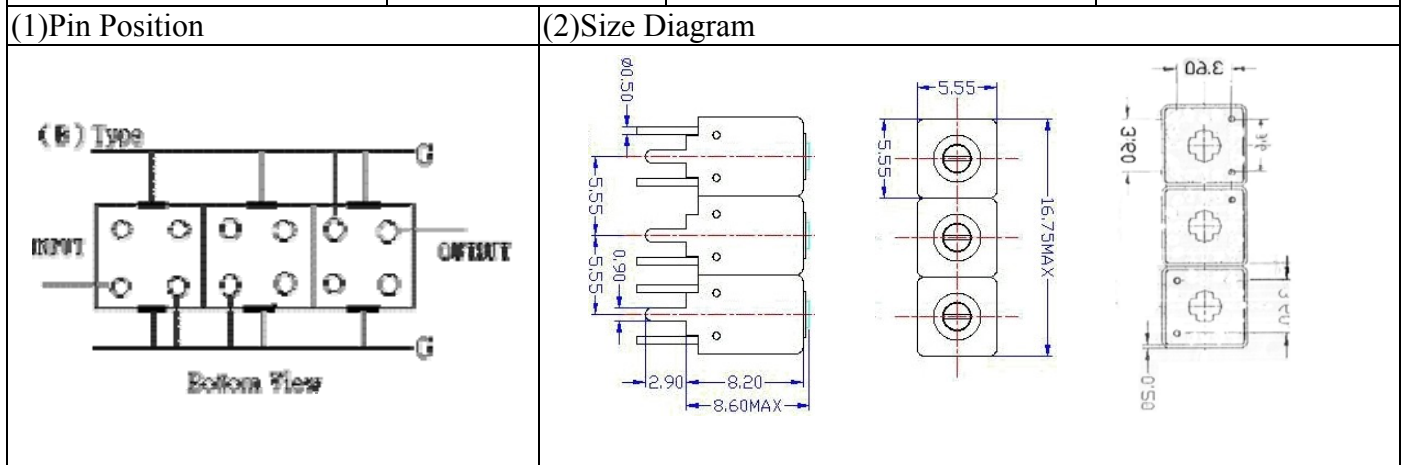


VHF UHF Helical Filter Specification Sheet

Customer Name		Temwell's Part No.	TTW3565B-927M
Approval No. /dated	0603028APR	Acceptable Specify Fo Range	901M~950M
Work Instruction No.	0603028B	Date	Mar.15.2006



(3) Electric Characteristic

Item	Specify	Performance
Center Freq.(Fo) +/- 0.5 %	927 MHz	927 MHz
Tunable Range	927±5 MHz	927±5 MHz
Insertion Loss	Typ. 3.0 dB	2.26 dB
-3 dB Bandwidth	Typ. 35 MHz	42.0 MHz
Sensitivity (Attenuation)	Fo -100 MHz	Typ. 44 dBc
	Fo +100 MHz	Typ. 31 dBc
	Fo -() MHz	Typ. dBc
	Fo +() MHz	Typ. dBc
Return Loss	Min. 12 dB	23.0 dB
Ripple	< 1 dB	
Impedance	In / Out : 50 Ω	In / Out : 50 Ω

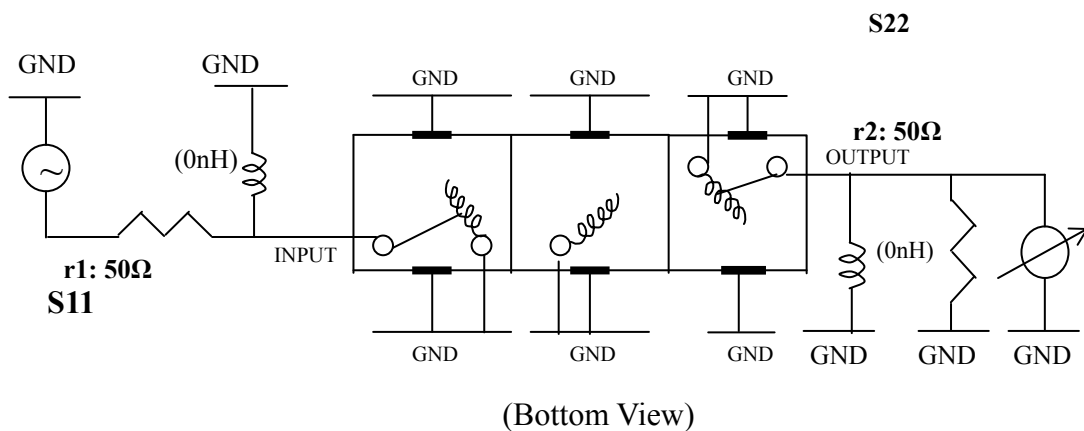
(4) Torque for Tuning Screw > 60gf · cm

(5) Temperature Condition:

Operating Temperature	0°C ~ +60°C
Storage Temperature	-20°C ~ +70°C

(6) Input Power > 0.5Watt

(7) Measuring Circuit: ※Easy to match Impedance S11/S22 50Ω/ by parallel with about(0 nH) / (0nH).

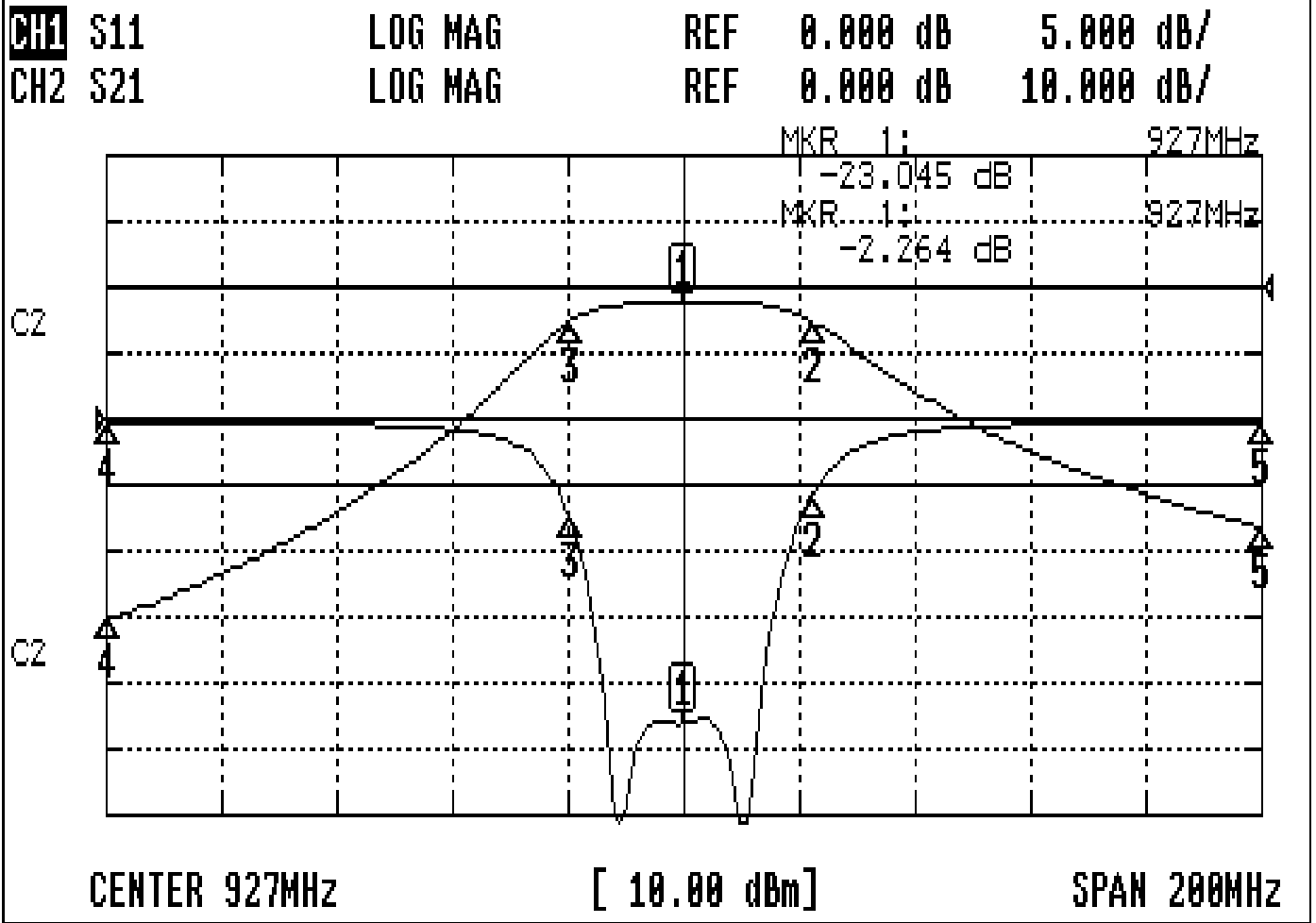


Approval	Supervisor	Designer	Aperture size
C.Y.Chang	C.S.Chang	P.H.Chiang	5W3(3.8*4.5)(4.57) 5HW024RB3

TEMWELL CORPORATION

Performance-TTW3565B-927M

0603028B



CH1 MARKER LIST

1	927.000MHz	-23.043	dB	
2	949.333MHz	-15.742	dB	
3	907.333MHz	-7.429	dB	
4	827.000MHz	-0.207	dB	
5	1.027 000GHz	-0.219	dB	

CH2 MARKER LIST

1	927.000MHz	-2.264	dB	
2	949.333MHz	-2.264	dB	
3	907.333MHz	-2.276	dB	
4	827.000MHz	-0.210	dB	
5	1.027 000GHz	6.522	dB	