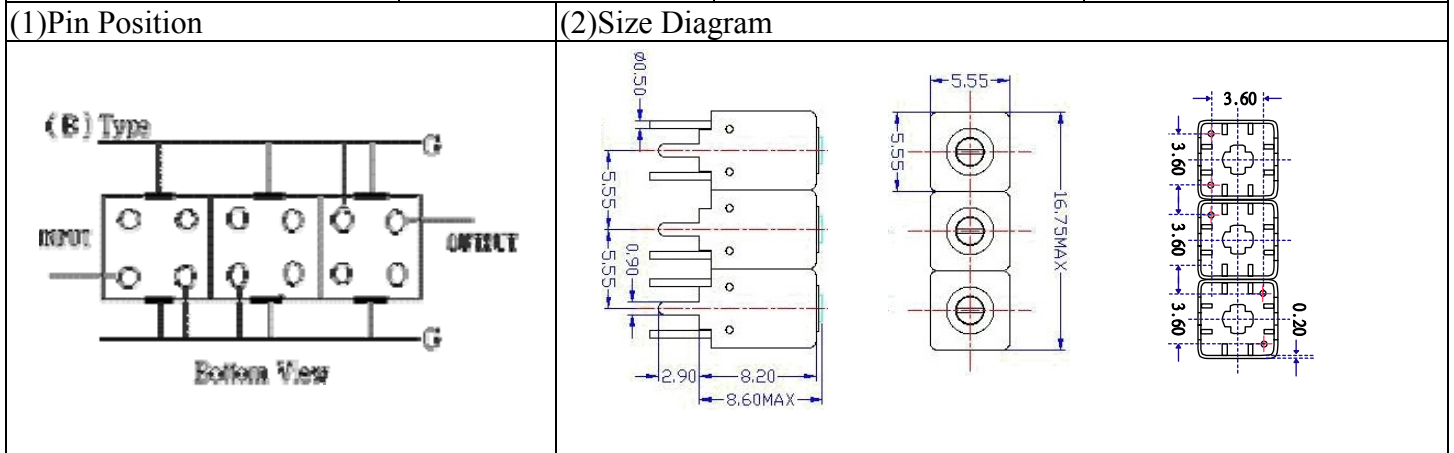


# VHF UHF Helical Filter Specification Sheet

Customer Name		Temwell's Part No.	TTW3564B-1843M
Approval No. /dated	201407087CD	Temwell's Print Name.	3564B 1843M
Work Instruction No.	201407087CD	Date	Aug.14.2014



### (3)Electric Character

Item	Specify	Performance
Center Freq.(Fo ) +/- 0.5 %	1843 MHz	1843 MHz
Insertion Loss	Typ. 4.5 dB	3.07 dB
-3 dB Bandwidth	Typ. 38 MHz	54.0 MHz
Sensitivity (Attenuation )	Fo - 100 MHz	Typ. 34 dBc
	Fo + 100 MHz	Typ. 23 dBc
	Fo - ( )MHz	Typ. dBc
	Fo +( )MHz	Typ. dBc
Return Loss	Min. 12 dB	23.0 dB
Ripple	< 1 dB	dB
Impedance	In / Out : 50 Ω	In / Out : 50 Ω

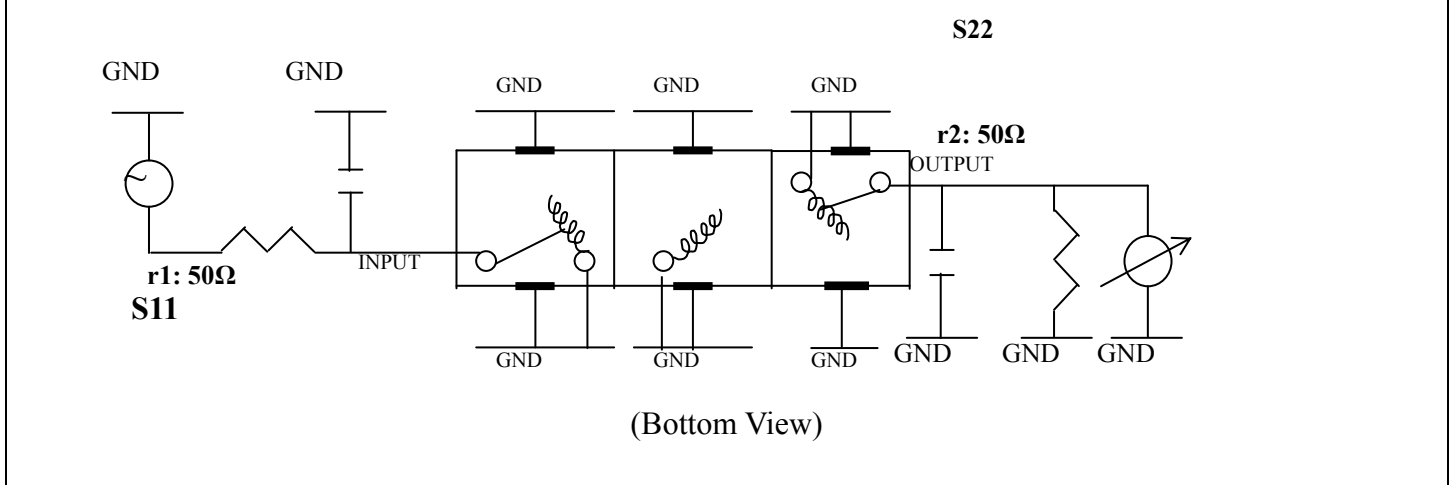
(4)Torque for Tuning Screw > 60gf · cm

(5)Temperature Condition:

Operating Temperature	0°C ~ +60°C
Storage Temperature	-20°C ~ +70°C

(6)Input Power > 0.5Watt

(7)Measuring Circuit: ※Easy to match Impedance S11/S22 50Ω by parallel with about( -- ) / ( -- ).



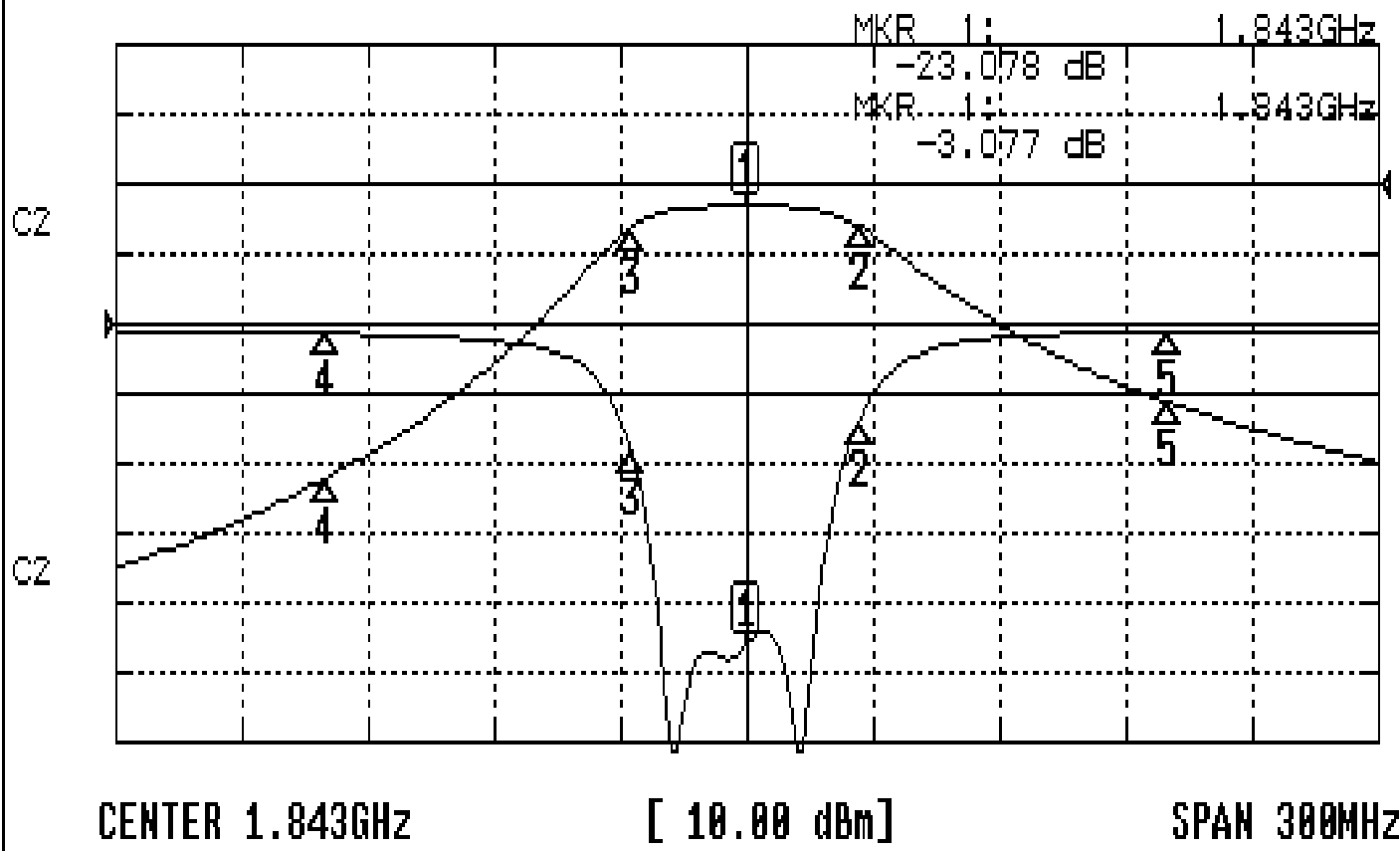
Approval	Supervisor	Designer	Aperture size
C.Y.Chang	C.K.Chang	J.Yang	5W3S(3.8*4.0)(4.12) 5HW024RB3(J1)

TEMWELL CORPORATION

# Performance-TTW3564B-1843M

## 201407087CD

**CH1** S11                      LOG MAG                      REF    0.000 dB                      5.000 dB/  
**CH2** S21                      LOG MAG                      REF    0.000 dB                      10.000 dB/



### CH1 MARKER LIST

Marker	Freq (GHz)	Magnitude (dB)
1	1.843000	-23.078
2	1.869750	-16.981
3	1.815750	-19.251
4	1.743000	-10.695
5	1.943000	-0.596

### CH2 MARKER LIST

Marker	Freq (GHz)	Magnitude (dB)
1	1.843000	-3.077
2	1.869750	-16.076
3	1.815750	-16.088
4	1.743000	-42.117
5	1.943000	-31.194