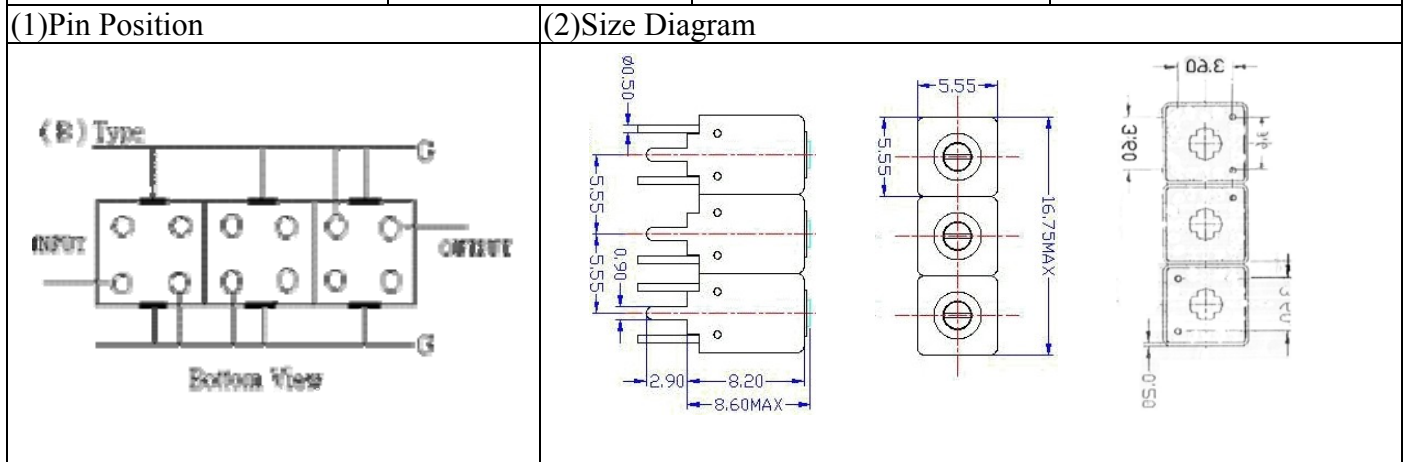
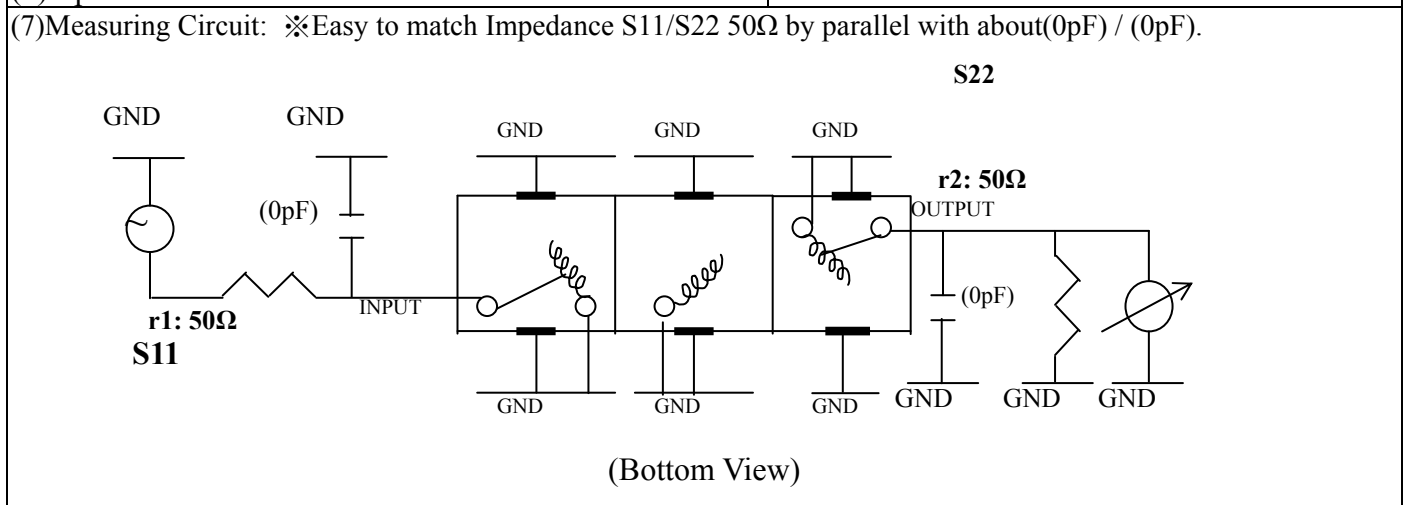


# VHF UHF Helical Filter Specification Sheet

Customer Name		Temwell's Part No.	TTW3563B-1748M
Approval No. /dated	0907090CD	Temwell's Print Name.	3563B 1748M
Work Instruction No.	200907090CD	Date	Jul.27.2009



(3) Electric Character			
Item		Specify	Performance
Center Freq.(Fo) +/- 0.5 %		1748 MHz	1748 MHz
Insertion Loss		Typ. 4.0 dB	3.45 dB
-3 dB Bandwidth		Typ. 42 MHz	51.2 MHz
Sensitivity (Attenuation)	Fo -100 MHz	Typ. 34 dBc	37 dBc
	Fo +100 MHz	Typ. 24 dBc	27 dBc
	Fo -( )MHz	Typ. dBc	dBc
	Fo +( )MHz	Typ. dBc	dBc
Return Loss		Min. 12 dB	36.1 dB
Ripple		< 1 dB	dB
Impedance		In / Out : 50 Ω	In / Out : 50 Ω
(4) Torque for Tuning Screw		> 100gf · cm	
(5) Temperature Condition:			
Operating Temperature		0°C ~ +60°C	
Storage Temperature		-20°C ~ +70°C	
(6) Input Power		> 0.5Watt	



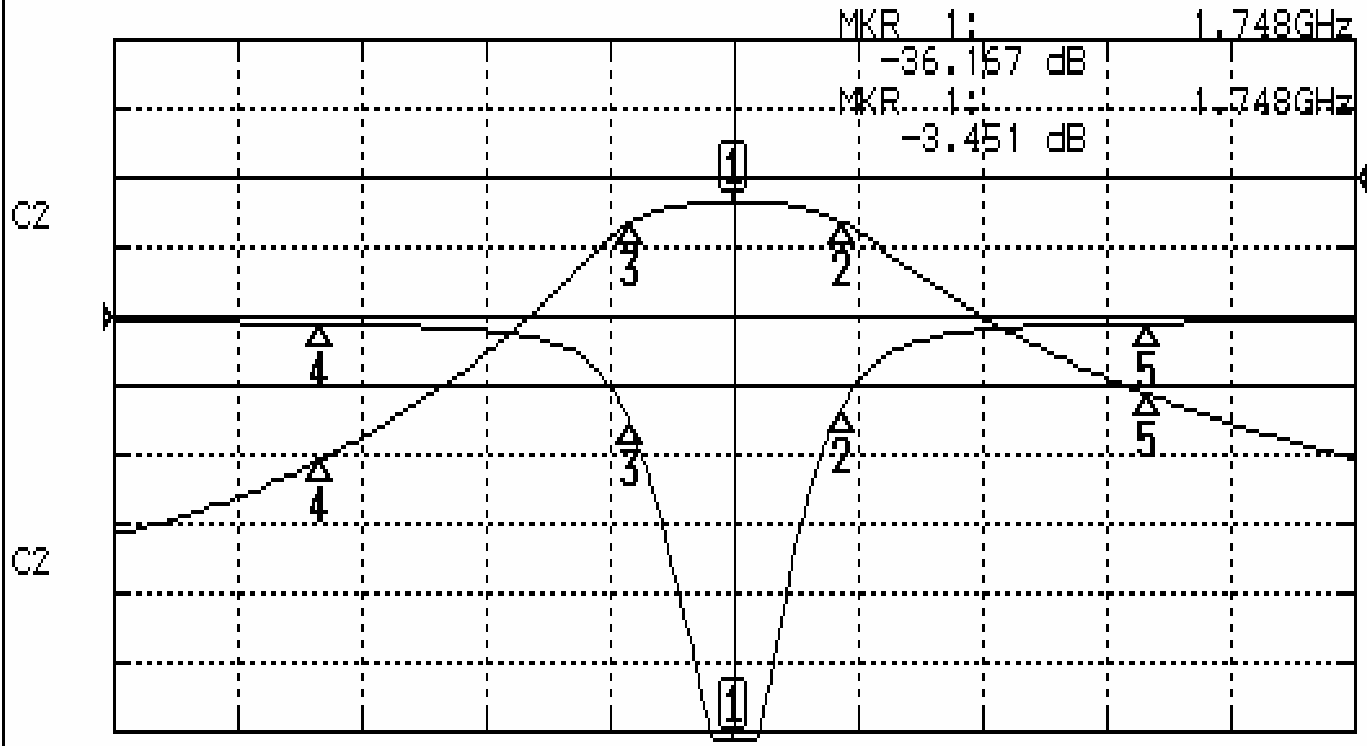
Approval	Supervisor	Designer	Aperture size
C.Y.Chang	C.K.Chang	Y.H.Yeh	5W3S(3.8*3.5)(3.58) 5HW046RB3.2

TEMWELL CORPORATION

# Performance-TTW3563B-1748M

## 200907090CD

**CH1** S11                      LOG MAG                      REF    0.000 dB            5.000 dB/  
**CH2** S21                      LOG MAG                      REF    0.000 dB            10.000 dB/



CENTER 1.748GHz

[ 10.00 dBm ]

SPAN 300MHz

### CH1 MARKER LIST

1:	1.748	000GHz	-36.167	dB
2:	1.774	250GHz	-6.527	dB
3:	1.723	000GHz	-7.706	dB
4:	1.648	000GHz	-0.527	dB
5:	1.848	000GHz	-0.477	dB

### CH2 MARKER LIST

1:	1.748	000GHz	-3.451	dB
2:	1.774	250GHz	-6.487	dB
3:	1.723	000GHz	-6.450	dB
4:	1.648	000GHz	-40.726	dB
5:	1.848	000GHz	-31.230	dB