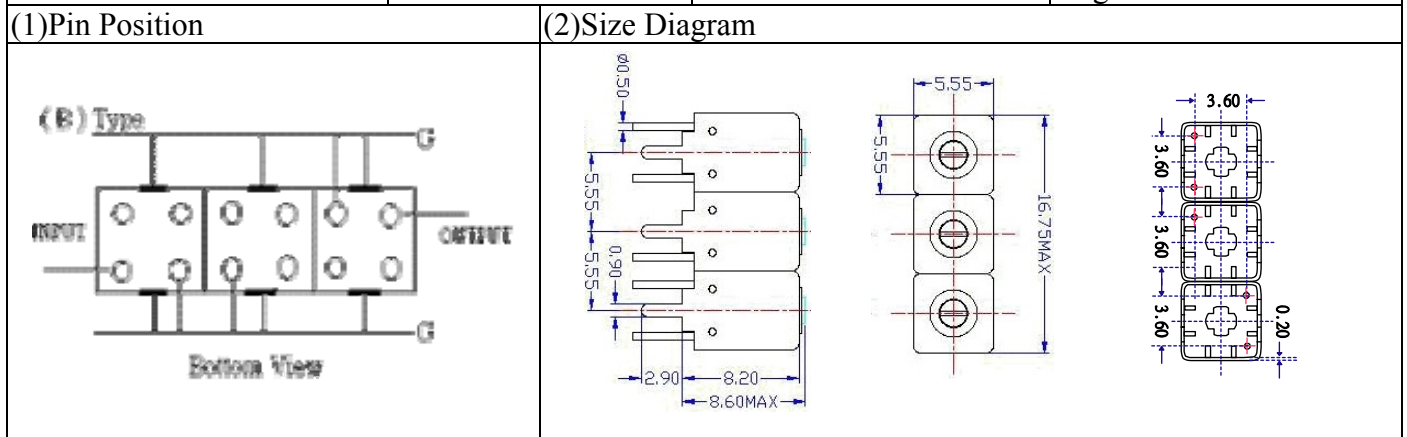
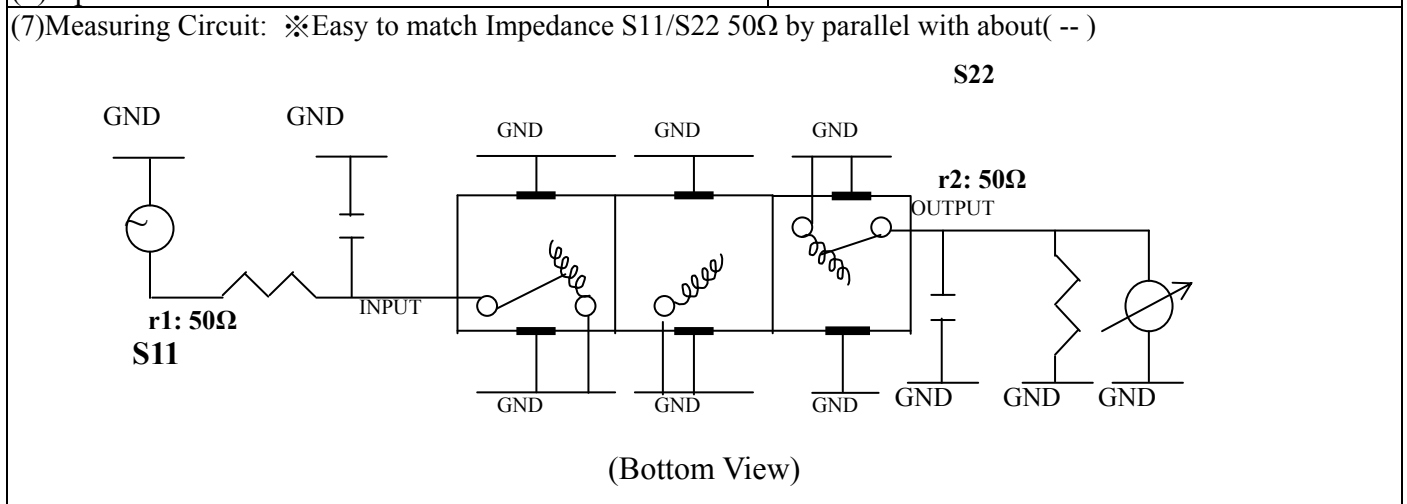


VHF UHF Helical Filter Specification Sheet

Customer Name		Temwell's Part No.	TTW3559B-1775M
Approval No. /dated	201407090CD	Temwell's Print Name.	3559B 1775M
Work Instruction No.	201407090CD	Date	Aug.01.2014



(3) Electric Character					
Item		Specify		Performance	
Center Freq.(Fo) +/- 0.5 %		1775 MHz		1775 MHz	
Insertion Loss		Typ. 4.0 dB		3.05 dB	
-3 dB Bandwidth		Typ. 45 MHz		55.3 MHz	
Sensitivity (Attenuation)	Fo - 100 MHz	Typ. 31 dBc		36 dBc	
	Fo + 100 MHz	Typ. 21 dBc		30 dBc	
	Fo - ()MHz	Typ. dBc		dBc	
	Fo +()MHz	Typ. dBc		dBc	
Return Loss		Min. 12 dB		17.4 dB	
Ripple		< 1 dB		dB	
Impedance		In / Out : 50 Ω		In / Out : 50 Ω	
(4) Torque for Tuning Screw		> 60gf • cm			
(5) Temperature Condition:					
Operating Temperature		0°C ~ +60°C			
Storage Temperature		-20°C ~ +70°C			
(6) Input Power		> 0.5Watt			



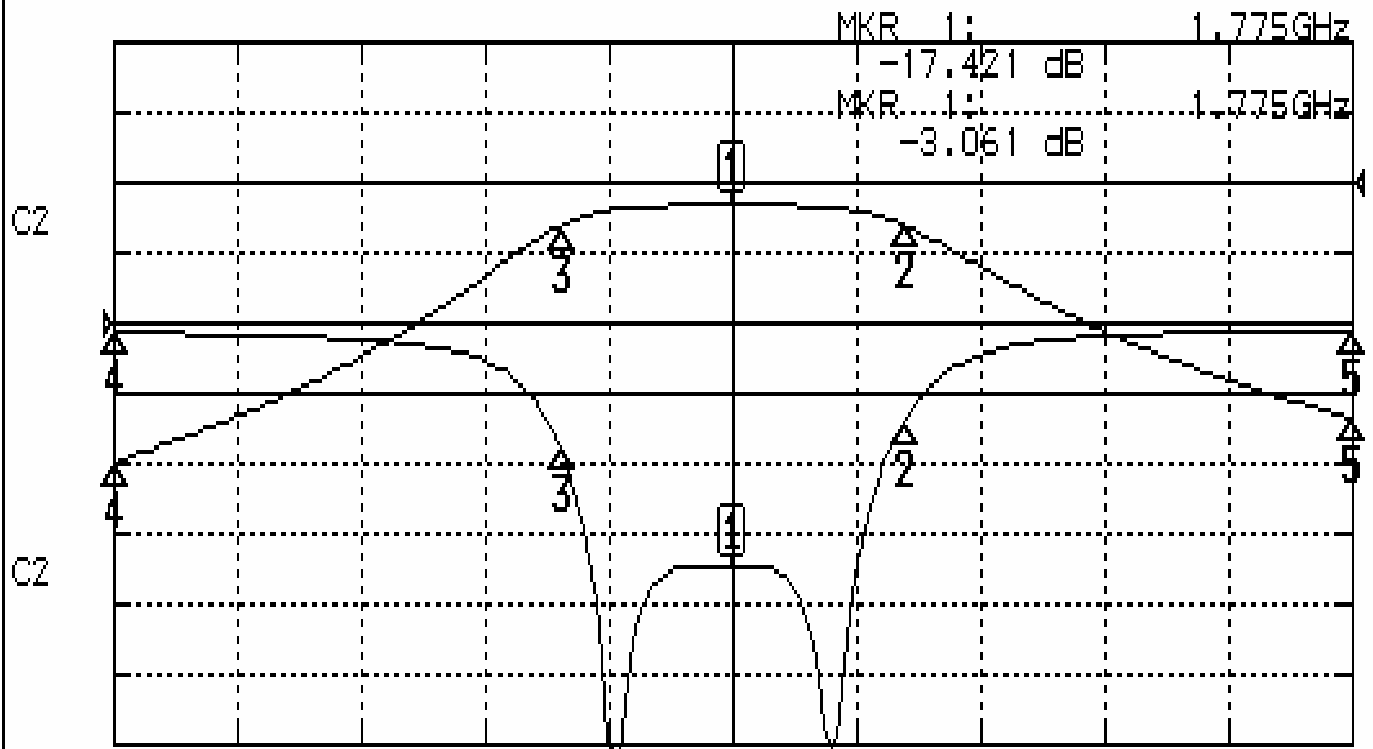
Approval	Supervisor	Designer	Aperture size
C.Y.Chang	C.K.Chang	M.Y.Kang	5W3S(3.8*3.5)(3.57) 5HW046RB3.2 (J1)

TEMWELL CORPORATION

Performance-TTW3559B-1775M

201407090CD

CH1 S11 LOG MAG REF 0.000 dB 5.000 dB/
 CH2 S21 LOG MAG REF 0.000 dB 10.000 dB/



CENTER 1.775GHz

[10.00 dBm]

SPAN 200MHz

CH1 MARKER LIST

Marker	Freq (GHz)	Magnitude (dB)
1	1.775 000	-17.421
2	1.802 666	-7.047
3	1.747 333	-8.992
4	1.675 000	-0.667
5	1.875 000	-0.542

CH2 MARKER LIST

Marker	Freq (GHz)	Magnitude (dB)
1	1.775 000	-3.058
2	1.802 666	-6.075
3	1.747 333	-6.084
4	1.675 000	-39.737
5	1.875 000	-33.529