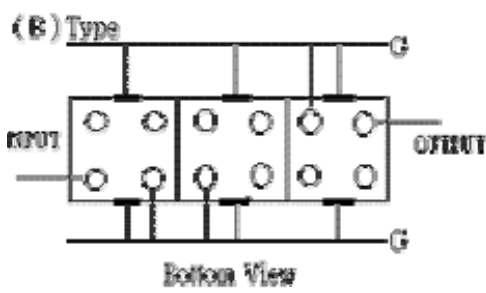
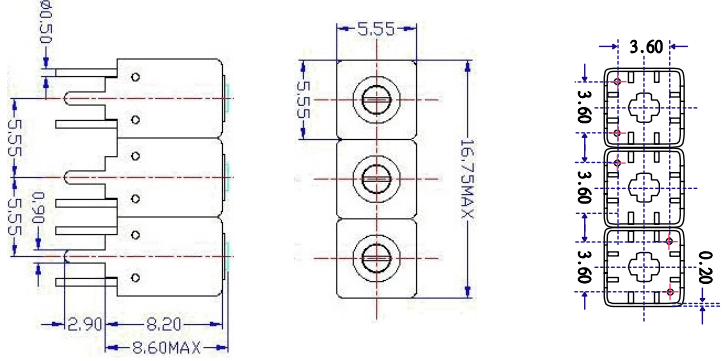
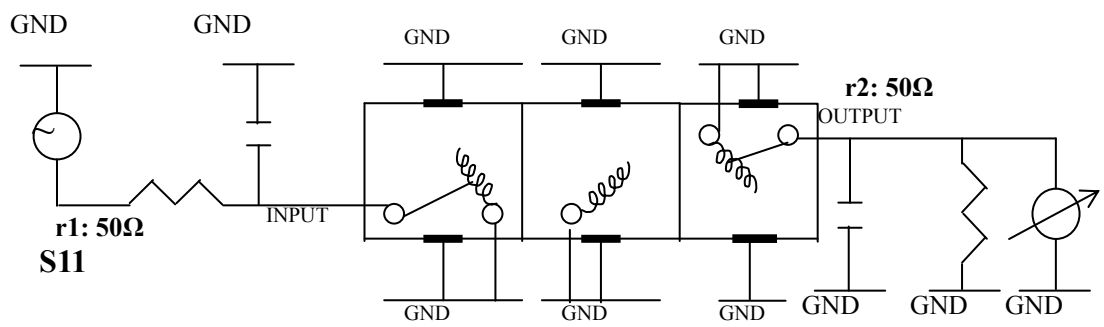


# VHF UHF Helical Filter Specification Sheet

Customer Name		Temwell's Part No.	TTW3557B-1316.8M
Approval No. /dated	201407028CD	Temwell's Print Name.	3557B 1316.8M
Work Instruction No.	201407028CD	Date	Jul.11.2014

(1) Pin Position	(2) Size Diagram
 <p>(B) Type Bottom View</p>	

(3) Electric Character					
Item		Specify		Performance	
Center Freq.(Fo) +/- 0.5 %		1316.8 MHz		1316.8 MHz	
Insertion Loss		Typ. 4.5 dB		3.82 dB	
-3 dB Bandwidth		Typ. 22 MHz		33..5 MHz	
Sensitivity (Attenuation)	Fo - 100 MHz	Typ. 46 dBc		49 dBc	
	Fo + 100 MHz	Typ. 33 dBc		36 dBc	
	Fo - ( )MHz	Typ. dBc		dBc	
	Fo + ( )MHz	Typ. dBc		dBc	
Return Loss		Min. 12 dB		28.4 dB	
Ripple		< 1 dB		dB	
Impedance		In / Out : 50 Ω		In / Out : 50 Ω	
(4) Torque for Tuning Screw		> 60gf · cm			
(5) Temperature Condition:					
Operating Temperature		0°C ~ +60°C			
Storage Temperature		-20°C ~ +70°C			
(6) Input Power		> 0.5Watt			

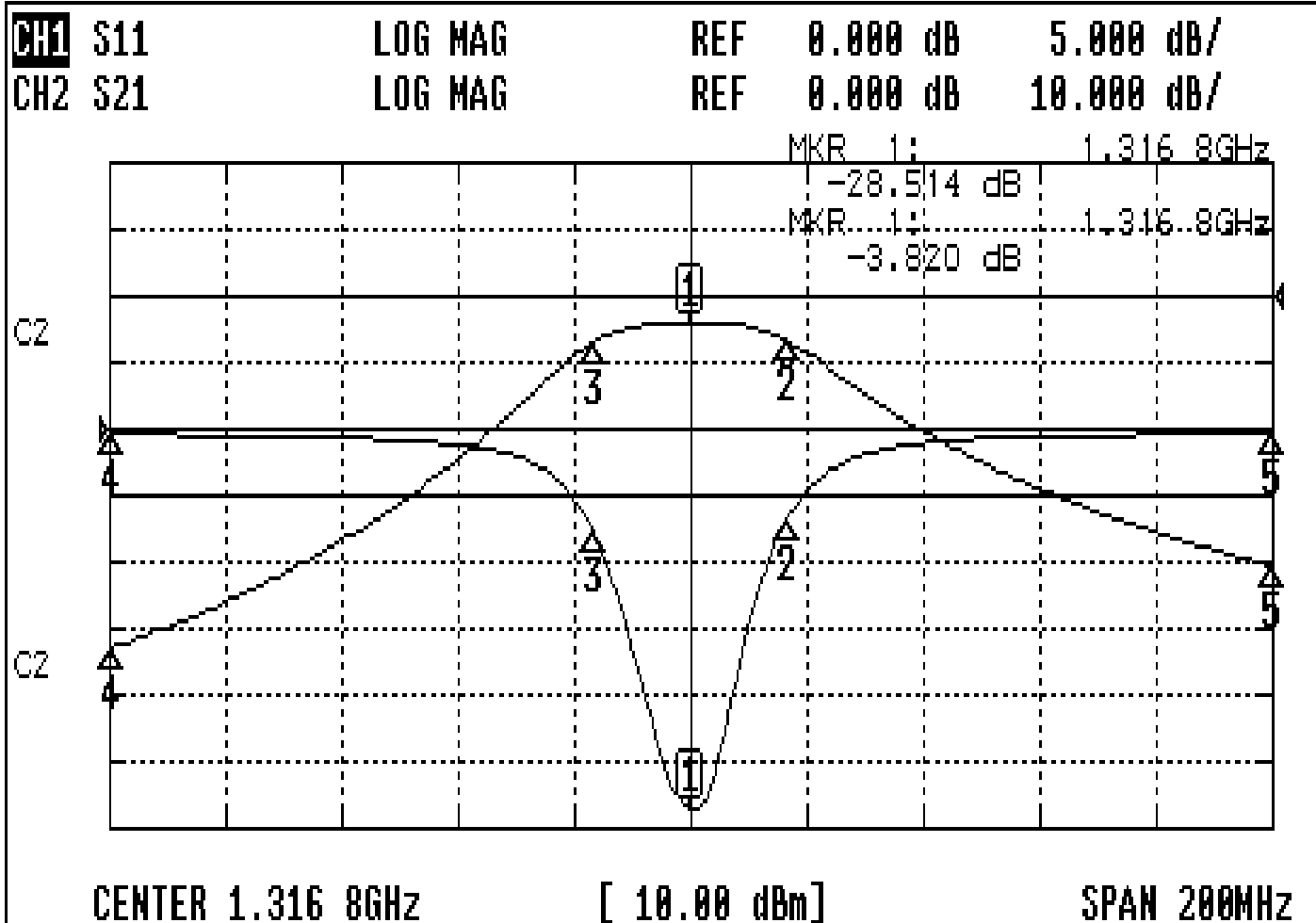
(7) Measuring Circuit: ※Easy to match Impedance S11/S22 50Ω by parallel with about( -- )					
S22					
 <p>(Bottom View)</p>					

Approval	Supervisor	Designer	Aperture size
C.Y.Chang	C.K.Chang	C.H.Yeh	5W3S(3.8*4.0)(4.09) 5HW024RB3

TEMWELL CORPORATION

# Performance-TTW3557B-1316.8M

## 201407028CD



### CH1 MARKER LIST

1:	1.316	800GHZ	-28.489	dB
2:	1.333	633GHZ	-6.675	dB
3:	1.300	133GHZ	-7.732	dB
4:	1.216	800GHZ	-0.401	dB
5:	1.416	800GHZ	-0.368	dB

### CH2 MARKER LIST

1:	1.316	800GHZ	-3.820	dB
2:	1.333	633GHZ	-6.852	dB
3:	1.300	133GHZ	-6.868	dB
4:	1.216	800GHZ	-2.941	dB
5:	1.416	800GHZ	-40.660	dB