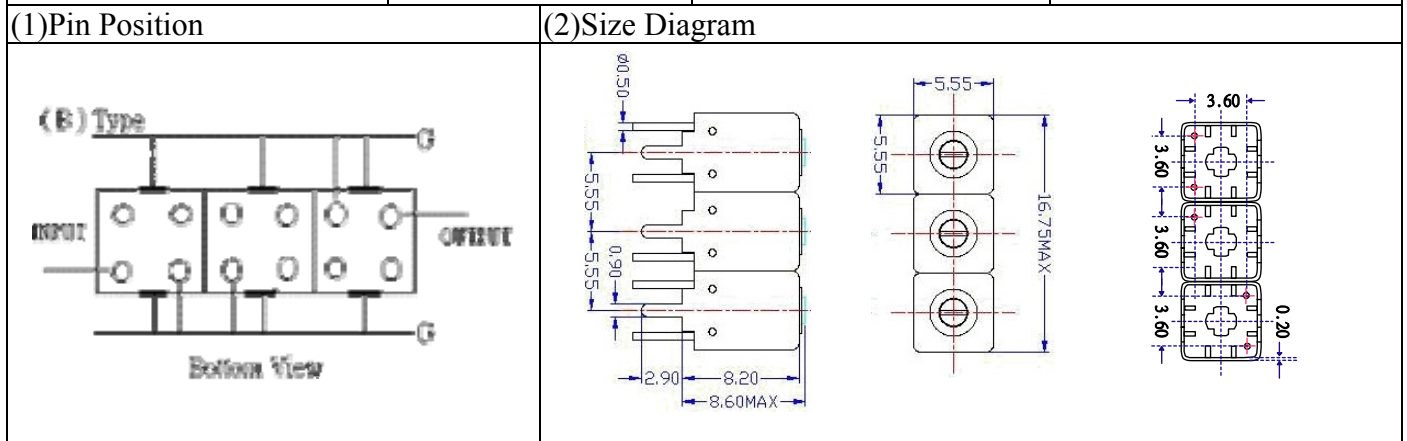


VHF UHF Helical Filter Specification Sheet

Customer Name		Temwell's Part No.	TTW3549B-898M
Approval No. /dated		Temwell's Print Name.	3549B 898M
Work Instruction No.	201406030CD	Date	Jun.18.2014



(3) Electric Character		Item	Specify	Performance
		Center Freq.(Fo) +/- 0.5 %	898 MHz	898 MHz
		Insertion Loss	Typ. 3.5 dB	2.14 dB
		-3 dB Bandwidth	Typ. 35 MHz	40.4 MHz
Sensitivity (Attenuation)	Fo - 100 MHz	Typ. 44 dBc		47 dBc
	Fo + 100 MHz	Typ. 32 dBc		35 dBc
	Fo - ()MHz	Typ. dBc		dBc
	Fo + ()MHz	Typ. dBc		dBc
		Return Loss	Min. 12 dB	17.9 dB
		Ripple	< 1 dB	dB
		Impedance	In / Out : 50 Ω	In / Out : 50 Ω

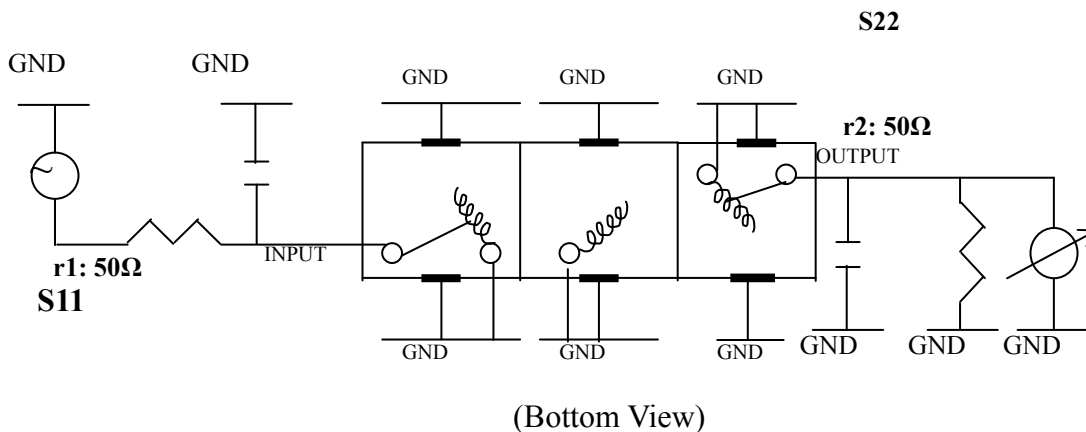
(4) Torque for Tuning Screw > 60gf · cm

(5) Temperature Condition:

Operating Temperature	0°C ~ +60°C
Storage Temperature	-20°C ~ +70°C

(6) Input Power > 0.5Watt

(7) Measuring Circuit: ※Easy to match Impedance S11/S22 50Ω by parallel with about(--) / (--).



Approval C.Y.Chang	Supervisor C.K.Chang	Designer F.L.Lai	Aperture size 5W3S(3.8*5.1)(5.15) 5HW024RB3
-----------------------	-------------------------	---------------------	---

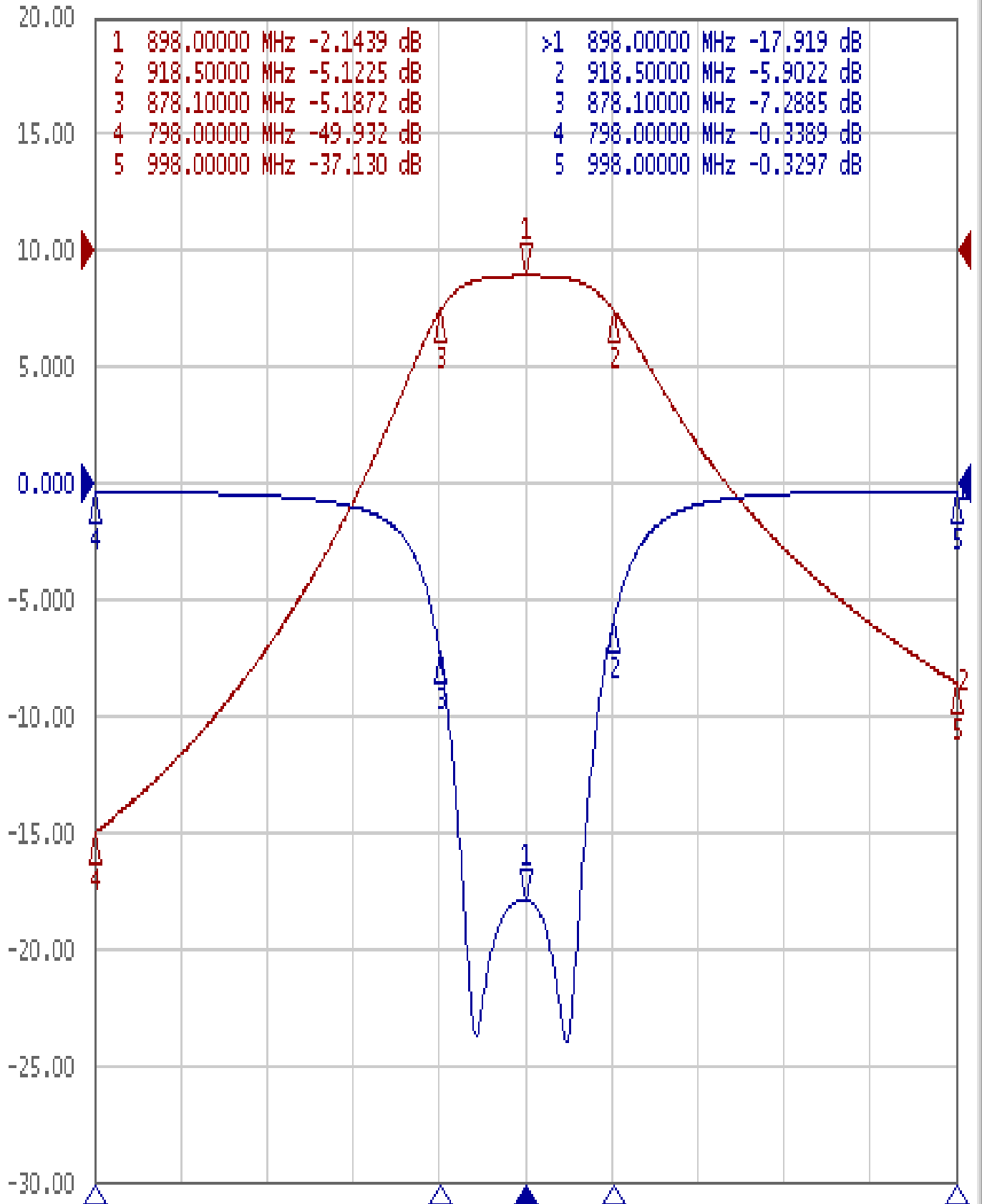
TEMWELL CORPORATION

Performance-TTW3549B-898M

201406030CD

Tr1 S11 Log Mag 5.000dB/ Ref 0.000dB [F2]

Tr2 S21 Log Mag 10.00dB/ Ref 0.000dB [F2]



1 Center 898 MHz

IFBW 10 kHz

Span 200 MHz Cor !