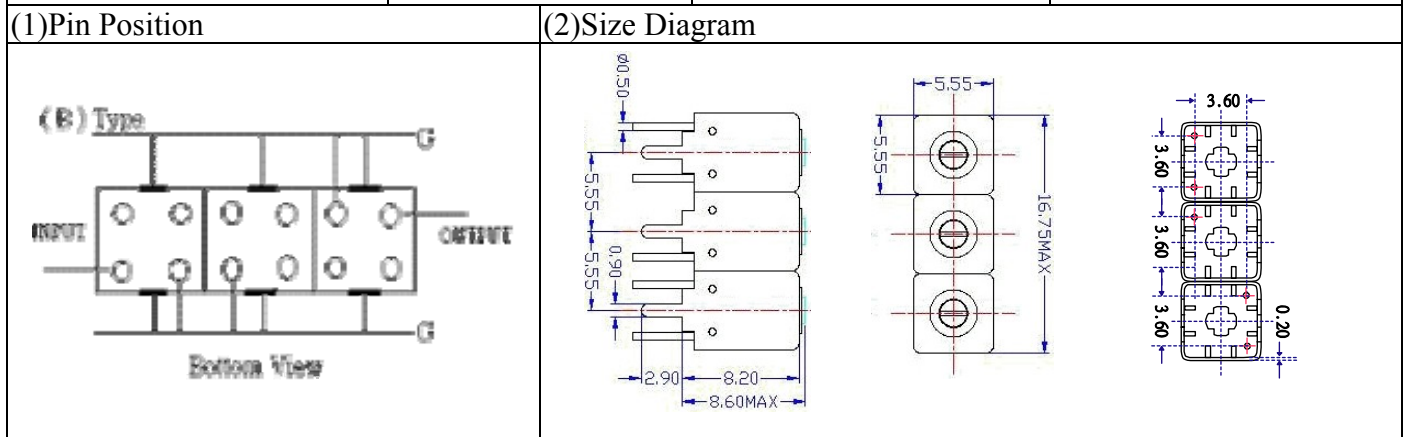
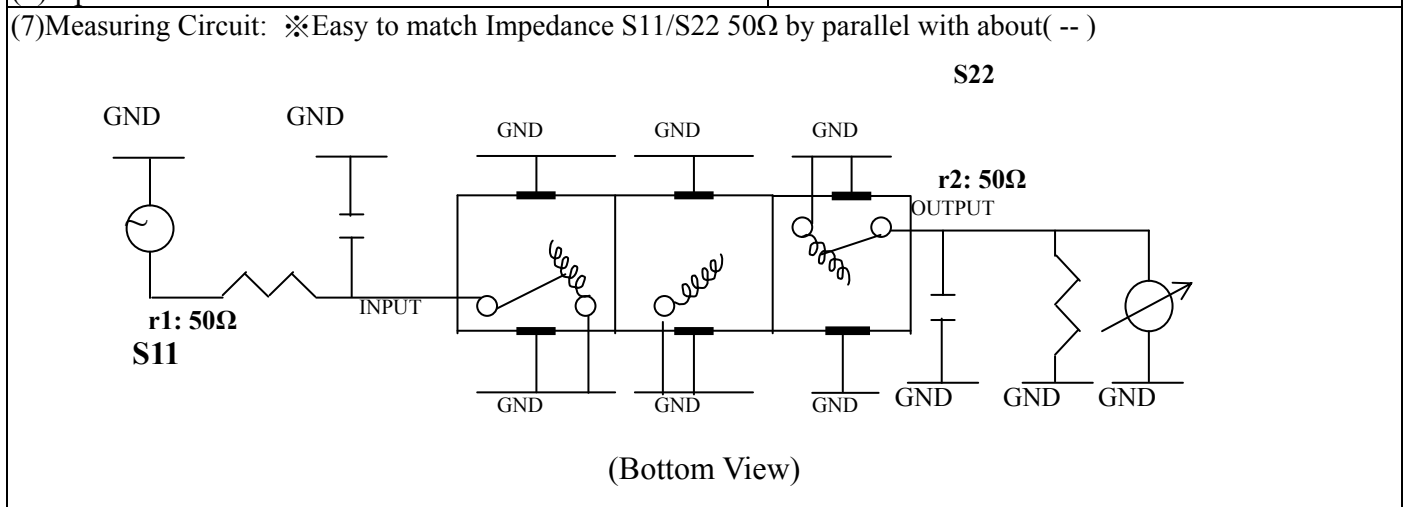


# VHF UHF Helical Filter Specification Sheet

Customer Name		Temwell's Part No.	TTW3547B-1950M
Approval No. /dated	201407077CD	Temwell's Print Name.	3547B 1950M
Work Instruction No.	201407077CD	Date	Oct.29.2014



(3) Electric Character			
Item		Specify	Performance
Center Freq.(Fo) +/- 0.5 %		1950 MHz	1950 MHz
Insertion Loss		Typ. 3.5 dB	2.78 dB
-3 dB Bandwidth		Typ. 48 MHz	58.4 MHz
Sensitivity (Attenuation)	Fo - 100 MHz	Typ. 26 dBc	31 dBc
	Fo + 100 MHz	Typ. 19 dBc	24 dBc
	Fo - ( )MHz	Typ. dBc	dBc
	Fo +( )MHz	Typ. dBc	dBc
Return Loss		Min. 12 dB	23.1 dB
Ripple		< 1 dB	dB
Impedance		In / Out : 50 Ω	In / Out : 50 Ω
(4) Torque for Tuning Screw		> 60gf • cm	
(5) Temperature Condition:			
Operating Temperature		0°C ~ +60°C	
Storage Temperature		-20°C ~ +70°C	
(6) Input Power		> 0.5Watt	



Approval	Supervisor	Designer	Aperture size
C.Y.Chang	C.K.Chang	C.S.Chang	5W3S(3.8*3.5)(3.58) 5HW046RB3.2(J1)

# Performance-TTW3547B-1950M

## 201407077CD

