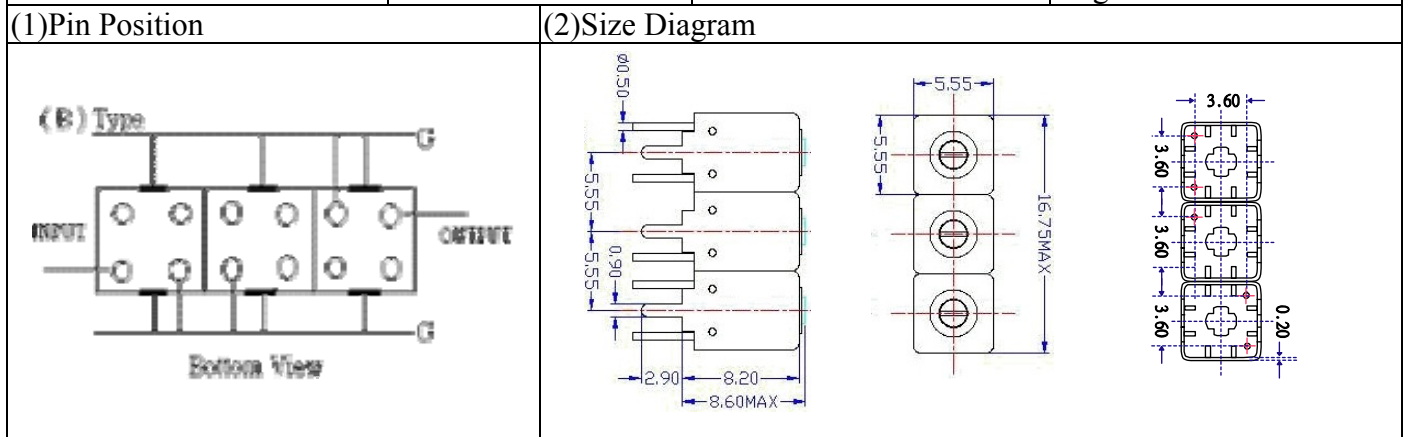
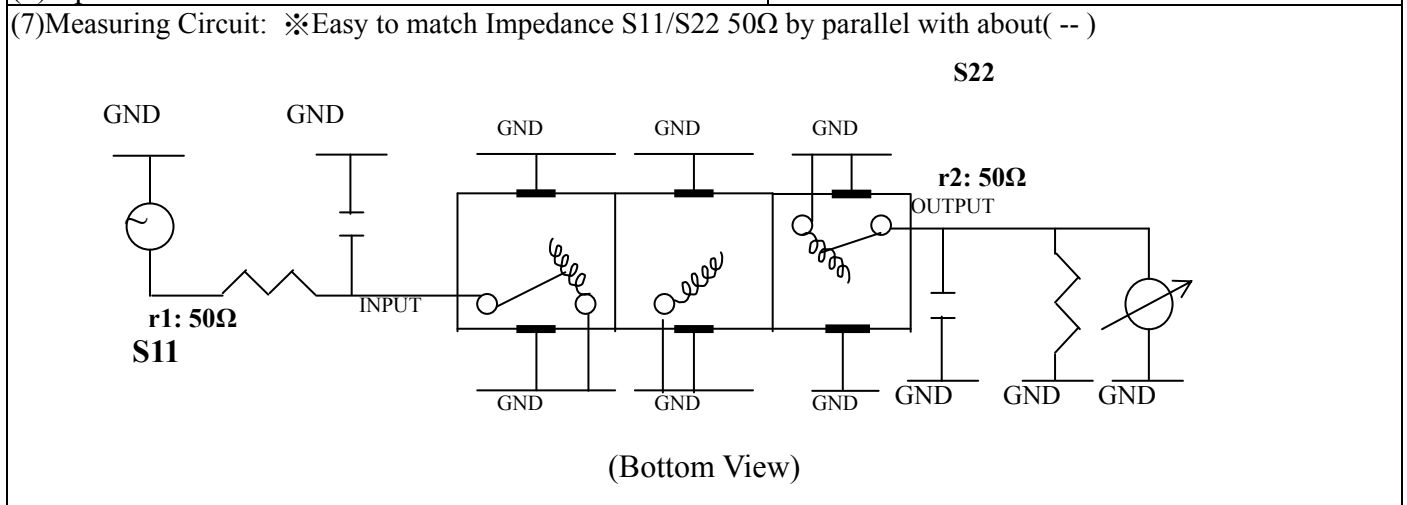


VHF UHF Helical Filter Specification Sheet

Customer Name		Temwell's Part No.	TTW3543B-1827.5M
Approval No. /dated	201407091CD	Temwell's Print Name.	3543B 1827.5M
Work Instruction No.	201407091CD	Date	Aug.08.2014



(3) Electric Character			
Item		Specify	Performance
Center Freq.(Fo) +/- 0.5 %		1827.5 MHz	1827.5 MHz
Insertion Loss		Typ. 4.0 dB	3.27 dB
-3 dB Bandwidth		Typ. 38 MHz	51.0 MHz
Sensitivity (Attenuation)	Fo - 150 MHz	Typ. 43 dBc	48 dBc
	Fo + 150 MHz	Typ. 34 dBc	39 dBc
	Fo - ()MHz	Typ. dBc	dBc
	Fo +()MHz	Typ. dBc	dBc
Return Loss		Min. 12 dB	23.5 dB
Ripple		< 1 dB	dB
Impedance		In / Out : 50 Ω	In / Out : 50 Ω
(4) Torque for Tuning Screw		> 60gf • cm	
(5) Temperature Condition:			
Operating Temperature		0°C ~ +60°C	
Storage Temperature		-20°C ~ +70°C	
(6) Input Power		> 0.5Watt	

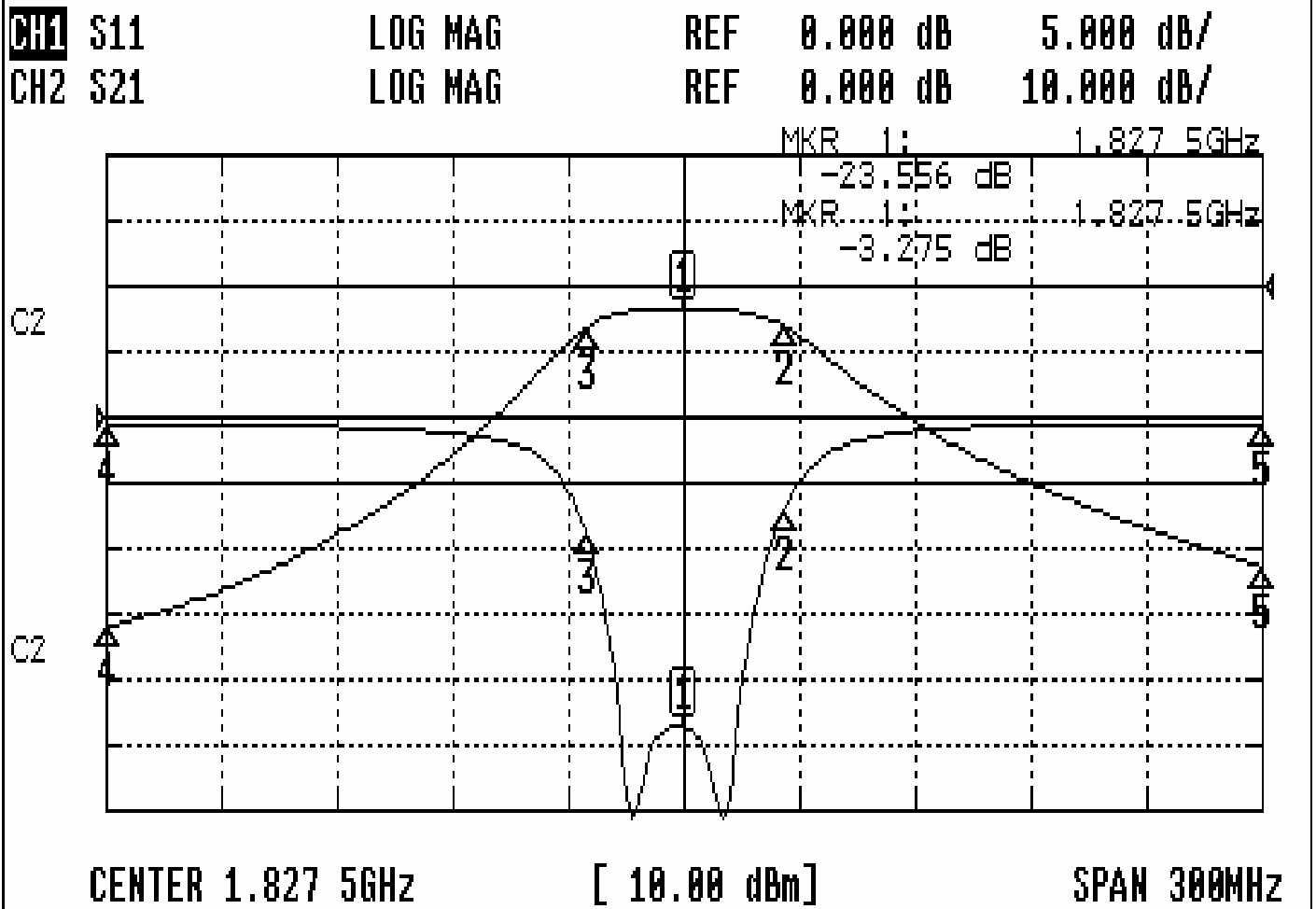


Approval C.Y.Chang	Supervisor C.K.Chang	Designer M.Y.Kang	Aperture size 5W3S(3.8*3.5)(3.56) 5HW046RB3.2 (J1)
-----------------------	-------------------------	----------------------	--

TEMWELL CORPORATION

Performance-TTW3543B-1827.5M

201407091CD



CH1 MARKER LIST

Marker	Freq (GHz)	Magnitude (dB)
1	1.827	-23.556
2	1.853	-7.166
3	1.802	-8.965
4	1.677	-0.496
5	1.977	-0.493

CH2 MARKER LIST

Marker	Freq (GHz)	Magnitude (dB)
1	1.827	-3.274
2	1.853	-6.221
3	1.802	-6.269
4	1.677	-31.605
5	1.977	-42.777