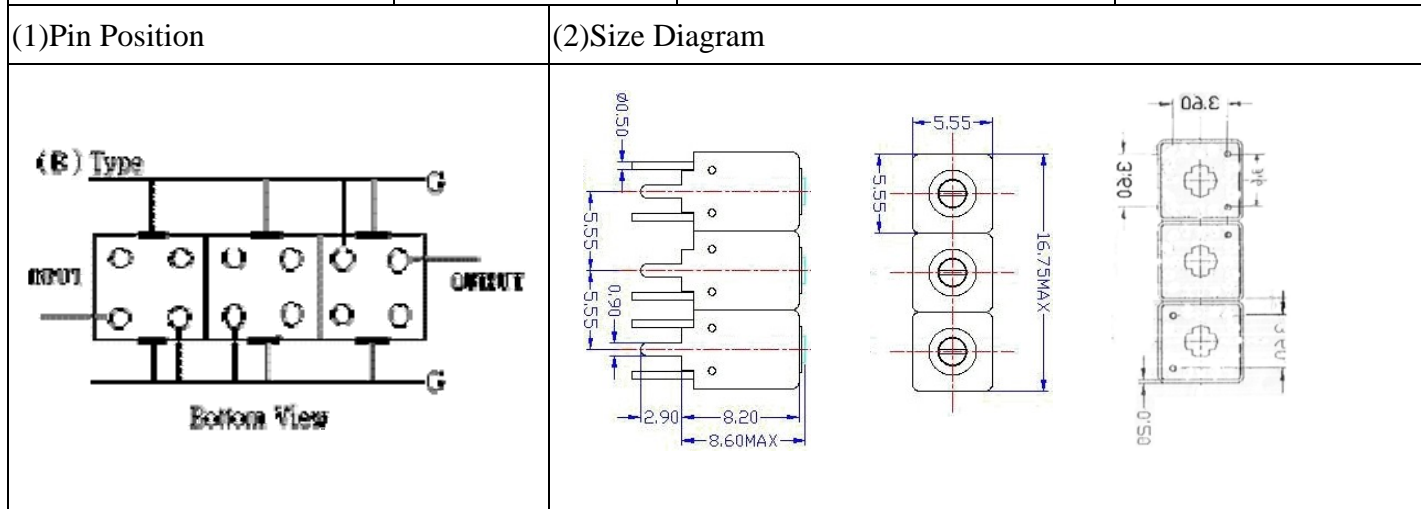


VHF UHF Helical Filter Specification Sheet

Customer Name		Temwell's Part No.	TTW3538B-1489M
Approval No. /dated	20208099DC	Acceptable Specify Fo. Range	1451~1500MHz
Work Instruction No.	20208099DC	Date	Aug.30.2002



(3) Electric Character

Item	Specify	Performance
Center Freq.(Fo) +/- 0.5 %	1489 MHz	1489 MHz
Tunable Range:	1489±5 MHz	1489±5 MHz
Insertion Loss	Typ. 4.5 dB	3.6 dB
-3 dB Bandwidth	Typ. 41 MHz	55.4 MHz
Sensitivity (Attenuation)	Fo - 100 MHz	Typ. 36 dBc
	Fo + 100 MHz	Typ. 27 dBc
	Fo - ()MHz	Typ. dBc
	Fo + ()MHz	Typ. dBc
Return Loss	Min. 12 dB	30.6 dB
Ripple	< 1 dB	dB
Impedance	In / Out : 50 Ω	In / Out : 50 Ω

(4) Torque for Tuning Screw > 60gf • cm

(5) Temperature Condition:

Operating Temperature	0°C ~ +60°C
Storage Temperature	-20°C ~ +70°C

(6) Input Power > 0.5Watt

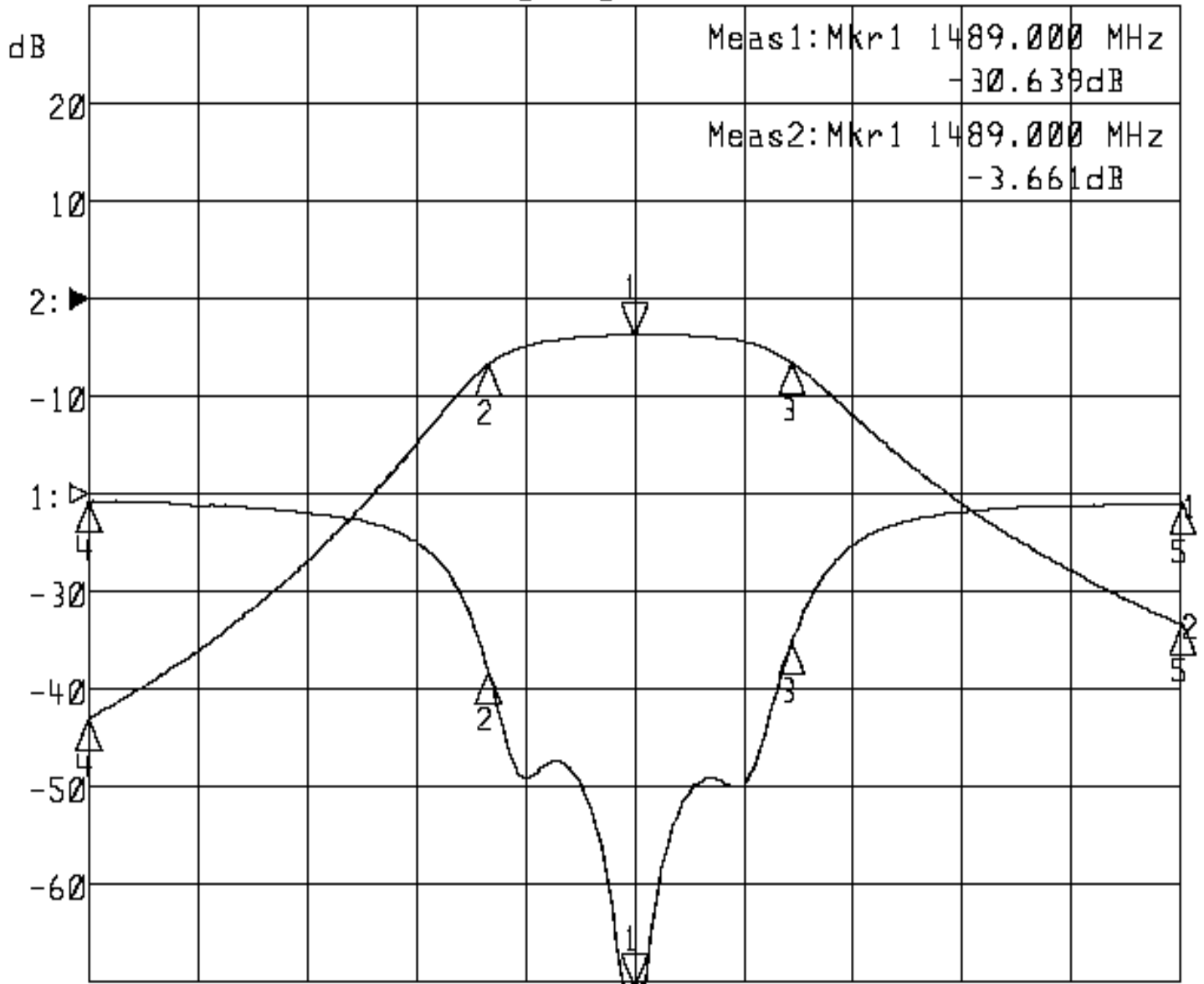
Approval	Supervisor	Designer	Aperture size
C.Y.Chang	C.S.Chang	C.S.Chang	5W3S(3.8*4.2) 5HW024RB3

TEMWELL CORPORATION

Performance-TTW3538B-1489M

20208099DC

▷1:S11 Refl Port1 Log Mag 5.0 dB/ Ref 0.00 dB C
 ▶2:S21 Fwd Trans Log Mag 10.0 dB/ Ref 0.00 dB C



Meas1:Mkr1 1489.000 MHz
 -30.639dB
 Meas2:Mkr1 1489.000 MHz
 -3.661dB

Center 1 489.000 MHz

Span 200.000 MHz

1:Mkr (MHz)	dB	2:Mkr (MHz)	dB
1> 1489.0000	-30.639	1> 1489.0000	-3.661
2: 1462.4000	-9.159	2: 1462.4000	-6.670
3: 1517.8667	-7.585	3: 1517.8667	-6.576
4: 1389.0000	-0.406	4: 1389.0000	-43.096
5: 1589.0000	-0.559	5: 1589.0000	-33.356