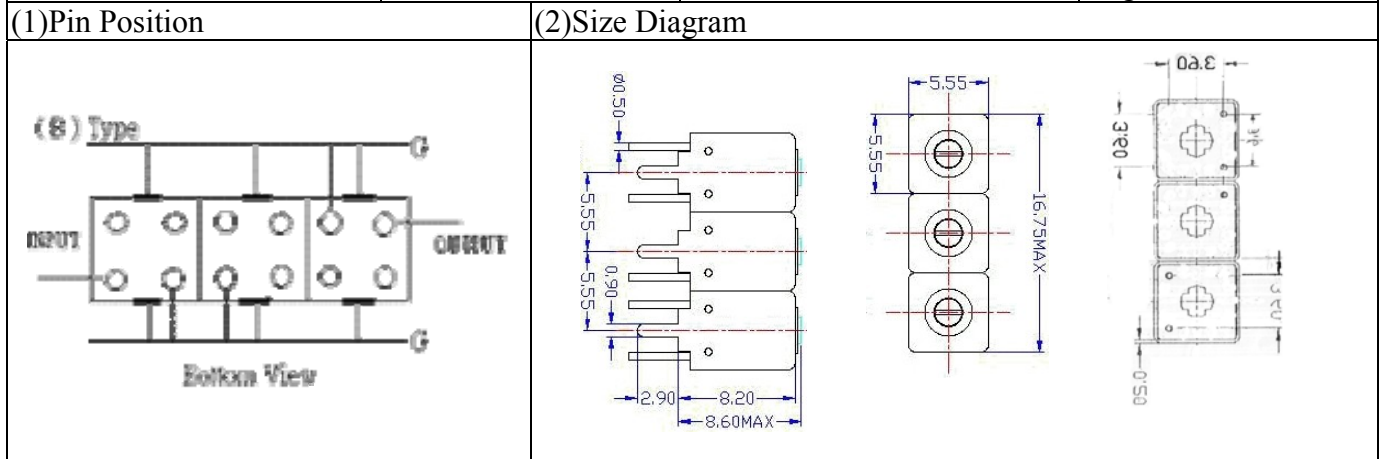


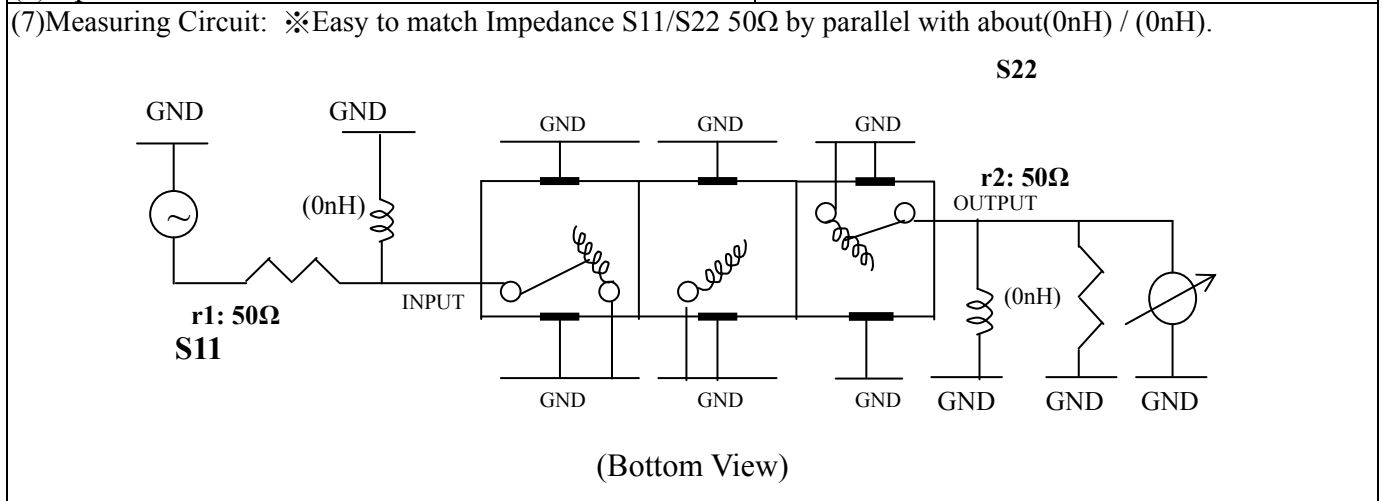
VHF UHF Helical Filter Specification Sheet

Customer Name		Temwell's Part No.	TTW3531B-870M
Approval No. /dated	0904034CD	Temwell's Print Name.	3531B 870M
Work Instruction No.	200904034CD	Date	Aug.11.2009



(3) Electric Character			
Item	Specify	Performance	
Center Freq.(Fo) +/- 0.5 %	870 MHz	870 MHz	
Insertion Loss	Typ. 5.0 dB	4.04 dB	
-3 dB Bandwidth	Typ. 15 MHz	20.6 MHz	
Sensitivity (Attenuation)	Fo - 50 MHz	Typ. 39 dBc	41 dBc
	Fo + 50 MHz	Typ. 30 dBc	32 dBc
	Fo - ()MHz	Typ. dBc	dBc
	Fo +()MHz	Typ. dBc	dBc
Return Loss	Min. 12 dB	22.0 dB	
Ripple	< 1 dB	dB	
Impedance	In / Out : 50 Ω	In / Out : 50 Ω	

(4) Torque for Tuning Screw		> 60gf · cm
(5) Temperature Condition:		
Operating Temperature	0°C ~ +60°C	
Storage Temperature	-20°C ~ +70°C	
(6) Input Power	> 0.5Watt	

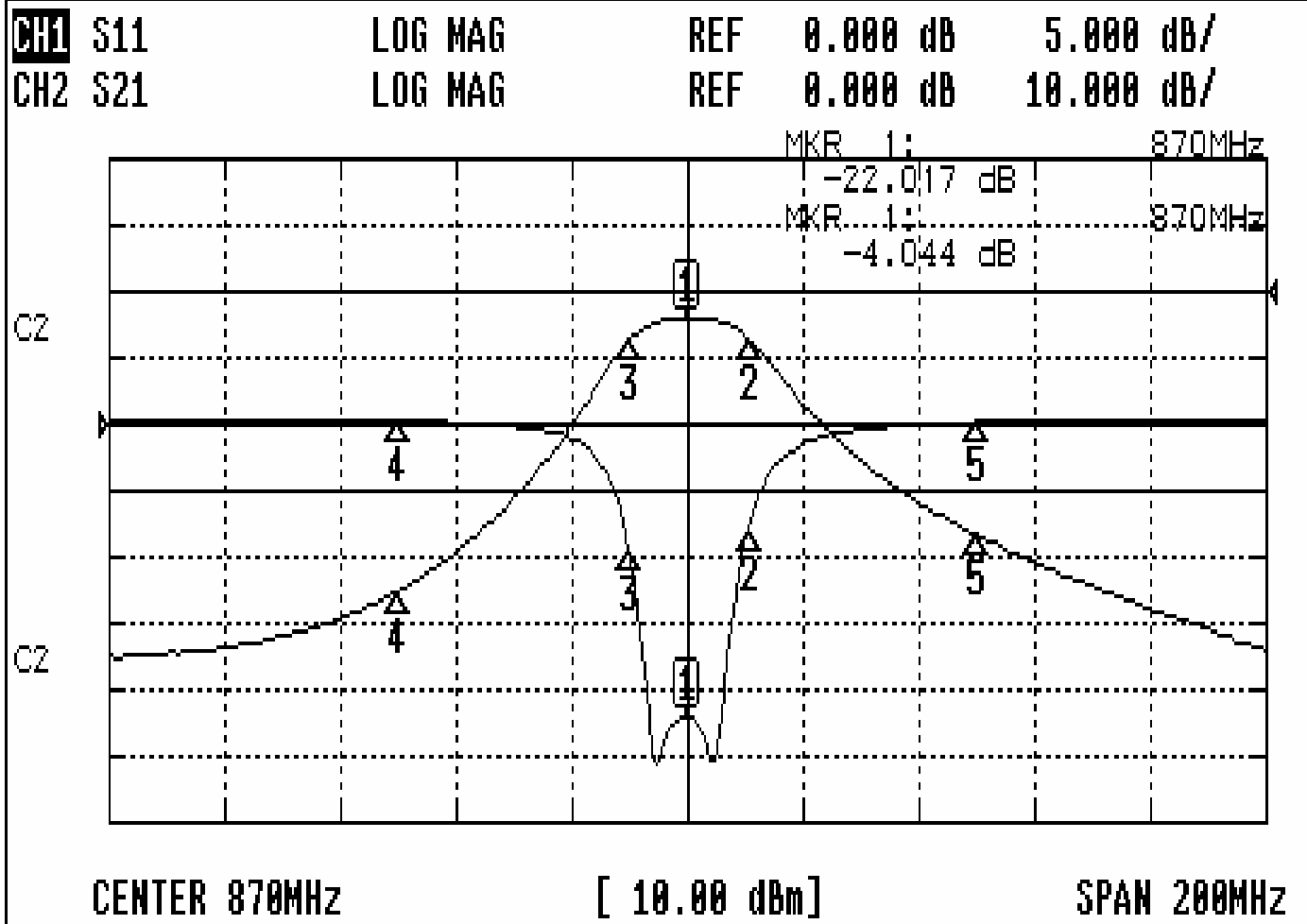


Approval C.Y.Chang	Supervisor C.K.Chang	Designer C.H.Yeh	Aperture size 5W3S(3.8*3.5)(3.59) 5HW024RB3
-----------------------	-------------------------	---------------------	---

TEMWELL CORPORATION

Performance-TTW3531B-870M

200904034CD



CH1 MARKER LIST

Marker	Frequency (MHz)	Magnitude (dB)
1	870.000	-22.017
2	880.666	-7.816
3	860.000	-9.387
4	820.000	0.218
5	920.000	0.147

CH2 MARKER LIST

Marker	Frequency (MHz)	Magnitude (dB)
1	870.000	-4.045
2	880.666	-7.090
3	860.000	-7.155
4	820.000	-45.019
5	920.000	-36.689