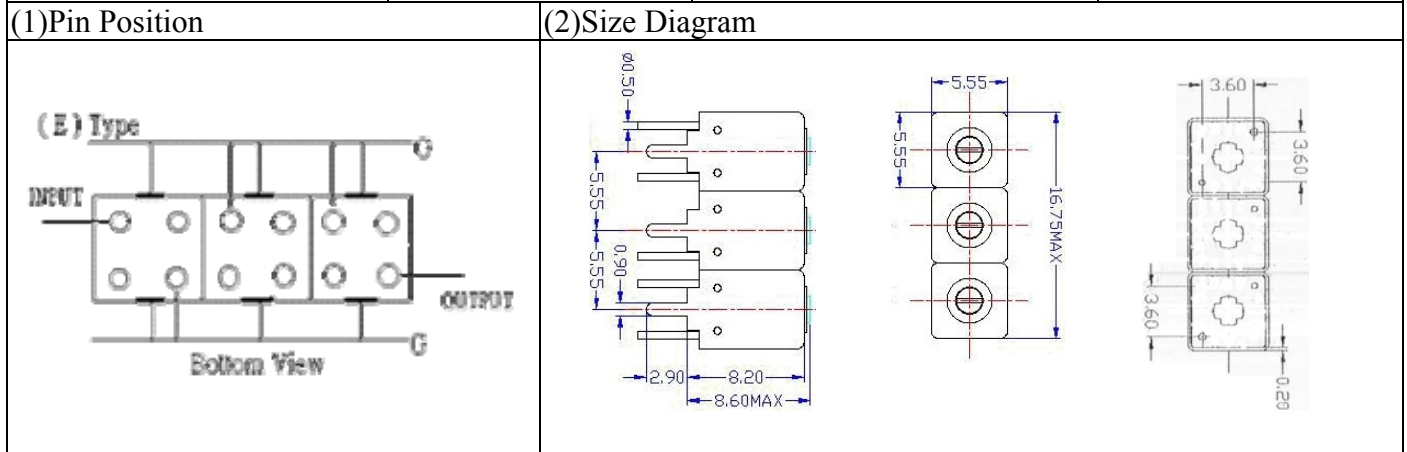


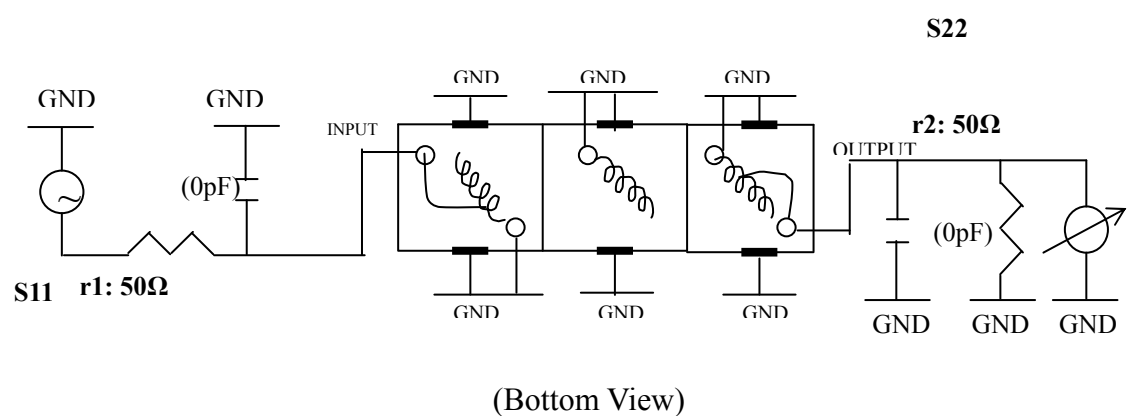
VHF UHF Helical Filter Specification Sheet

Customer Name		Temwell's Part No.	TTW3529E-1842.5M
Approval No. /dated	0709076APR	Temwell's Print Name.	3529E 1842.5M
Work Instruction No.	0709076C	Date	Oct.04.2007



(3) Electric Characteristic			
Item		Specify	Performance
Center Freq.(Fo) +/- 0.5 %		1842.5 MHz	1842.5 MHz
Tunable Range:		1842.5±5 MHz	1842.5±5 MHz
Insertion Loss		Typ. 3.0 dB	2.28 dB
-3 dB Bandwidth		Typ. 57 MHz	73.0 MHz
Sensitivity (Attenuation)	Fo - 200 MHz	Typ. 48 dBc	51 dBc
	Fo + 200 MHz	Typ. 30 dBc	33 dBc
	Fo - ()MHz	Typ. dBc	dBc
	Fo +()MHz	Typ. dBc	dBc
Return Loss		Min. 12 dB	27.4 dB
Ripple		< 1 dB	dB
Impedance		In / Out : 50 Ω	In / Out : 50 Ω
(4) Torque for Tuning Screw		> 60gf • cm	
(5) Temperature Condition:			
Operating Temperature		0°C ~ +60°C	
Storage Temperature		-20°C ~ +70°C	
(6) Input Power		> 0.5Watt	

(7) Measuring Circuit: ※Easy to match Impedance S11/S22 50Ω by parallel with about(0pF) / (0 pF).



Approval	Supervisor	Designer	Aperture size
C.Y.Chang	C.S.Chang	P.H.Chiang	5W3S(3.8*5.1)(5.12) 5HW046RB3.2
TEMWELL		CORPORATION	

Performance-TTW3529E-1842.5M

0709076C

CH1 S11

LOG MAG

REF 0.000 dB

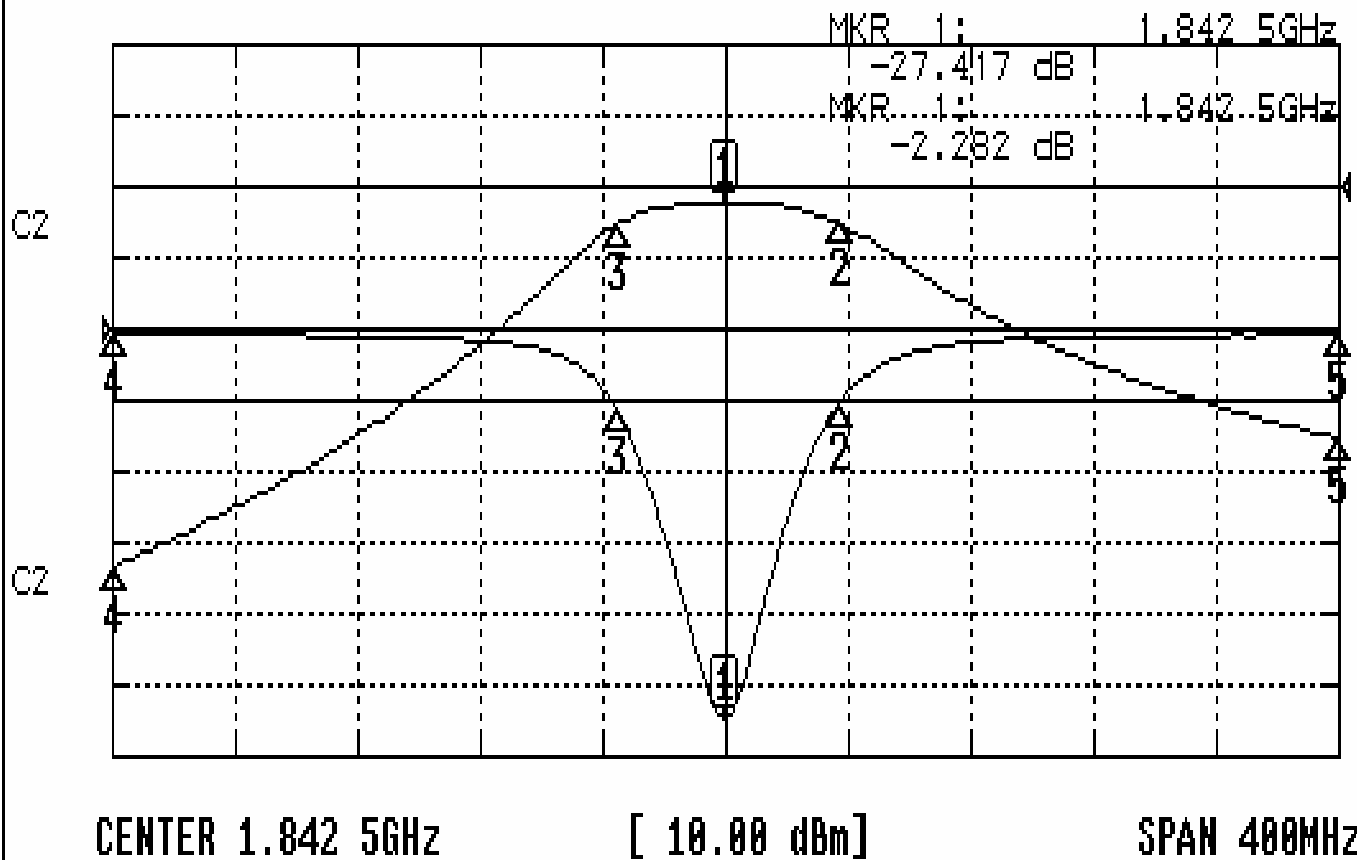
5.000 dB/

CH2 S21

LOG MAG

REF 0.000 dB

10.000 dB/



CH1 MARKER LIST

Marker	Freq (GHz)	Mag (dB)
1	1.842	-27.429
2	1.880	-15.057
3	1.807	-15.657
4	1.642	-0.356
5	2.042	-0.418

CH2 MARKER LIST

Marker	Freq (GHz)	Mag (dB)
1	1.842	-2.282
2	1.880	-15.261
3	1.807	-15.229
4	1.642	-35.410
5	2.042	-35.318