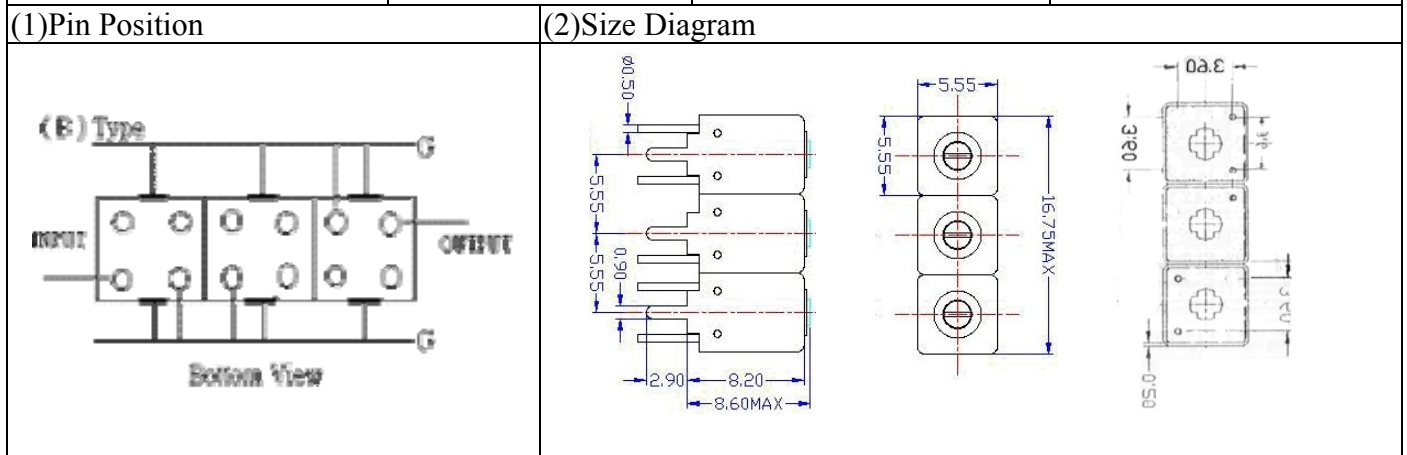
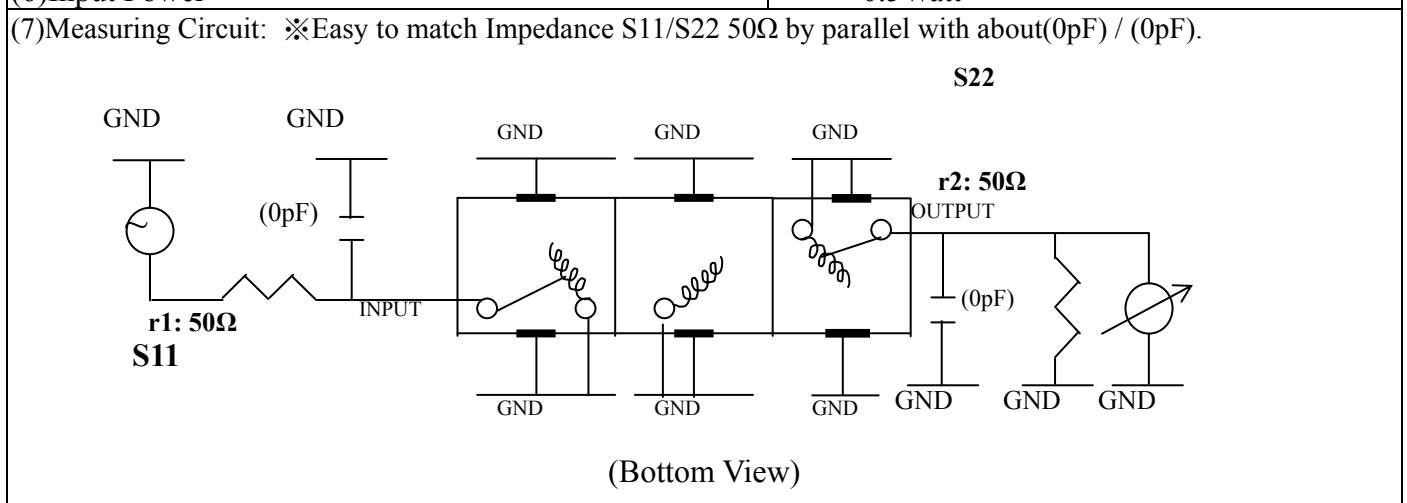


VHF UHF Helical Filter Specification Sheet

Customer Name		Temwell's Part No.	TTW3526B-2442M
Approval No. /dated	0910146CD	Temwell's Print Name.	3526B 2442M
Work Instruction No.	200910146CD	Date	Nov.10.2009



Item		Specify	Performance
Center Freq.(Fo) +/- 0.5 %		2442 MHz	2442 MHz
Insertion Loss		Typ. 3.5 dB	2.94 dB
-3 dB Bandwidth		Typ. 57 MHz	79.7 MHz
Sensitivity (Attenuation)	Fo - 200 MHz	Typ. 40 dBc	47 dBc
	Fo + 200 MHz	Typ. 25 dBc	31 dBc
	Fo - ()MHz	Typ. dBc	dBc
	Fo +()MHz	Typ. dBc	dBc
Return Loss		Min. 12 dB	26.0 dB
Ripple		< 1 dB	dB
Impedance		In / Out : 50 Ω	In / Out : 50 Ω
(4) Torque for Tuning Screw		> 60gf · cm	
(5) Temperature Condition:			
Operating Temperature		0°C ~ +60°C	
Storage Temperature		-20°C ~ +70°C	
(6) Input Power		> 0.5Watt	



Approval	Supervisor	Designer	Aperture size
C.Y.Chang	C.K.Chang	C.S.Chang	5W3(3.8*4.0)*(4.10) 5HW046RB3.2

TEMWELL CORPORATION

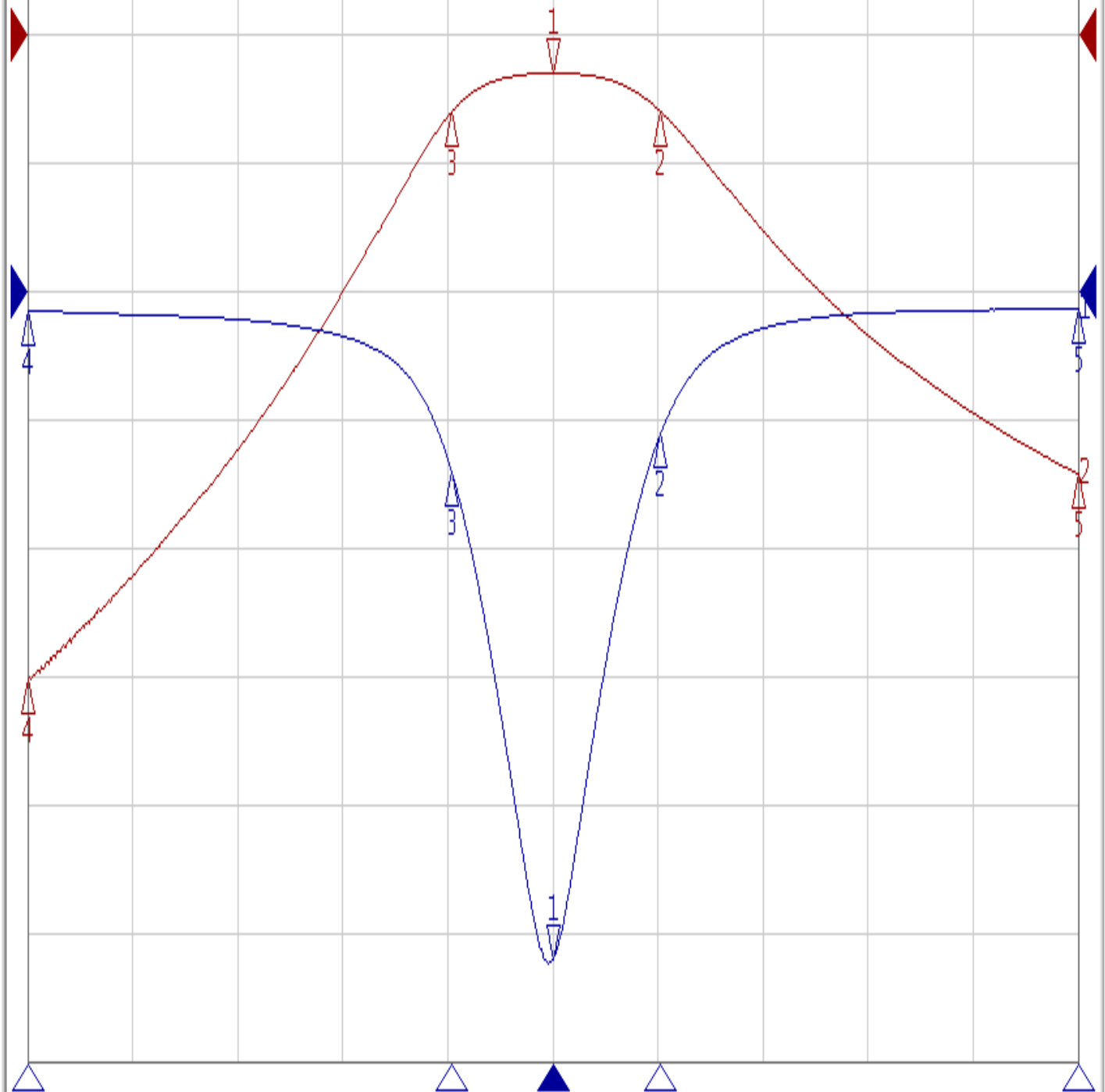
Performance-TTW3526B-2442M

200910146CD

▶ Tr1 S11 Log Mag 5.000dB/ Ref 0.000dB [F2]
Tr2 S21 Log Mag 10.00dB/ Ref 0.000dB [F2]

1	2.4420000	GHz	-2.9494	dB
2	2.4831010	GHz	-5.9365	dB
3	2.4034560	GHz	-5.9554	dB
4	2.2420000	GHz	-50.253	dB
5	2.6420000	GHz	-34.197	dB

>1	2.4420000	GHz	-26.028	dB
2	2.4831010	GHz	-5.5352	dB
3	2.4034560	GHz	-6.9843	dB
4	2.2420000	GHz	-0.7549	dB
5	2.6420000	GHz	-0.6697	dB



1 Center 2.442 GHz

IFBW 10 kHz

Span 400 MHz Cor !