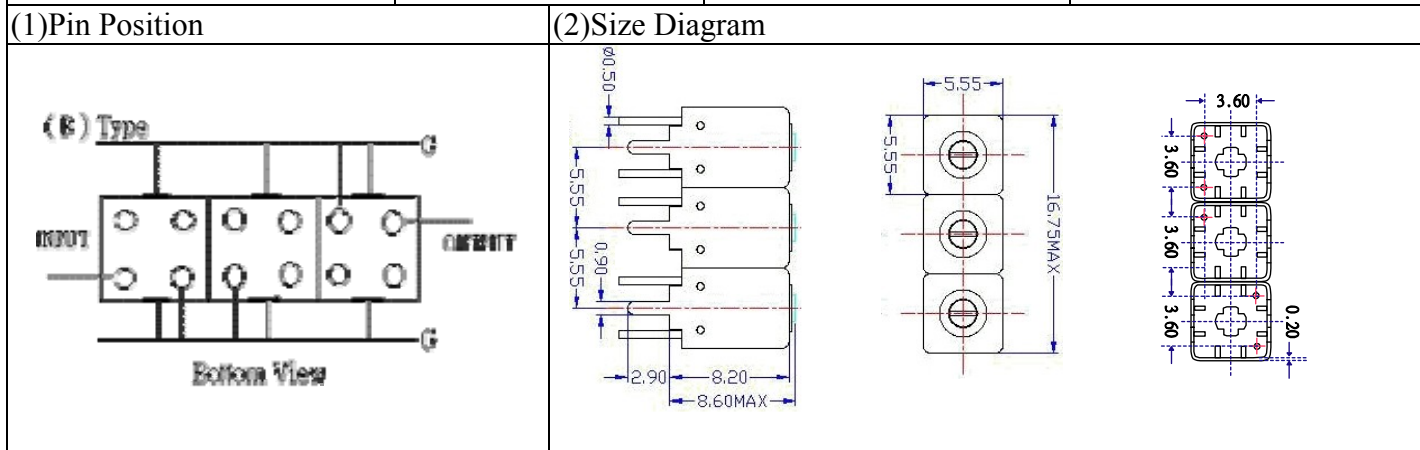


VHF UHF Helical Filter Specification Sheet

Customer Name		Temwell's Part No.	TTW3522B-2025M
Approval No. /dated	201407069CD	Temwell's Print Name.	3522B 2025M
Work Instruction No.	201407069CD	Date	Oct.17.2014



(3) Electric Character

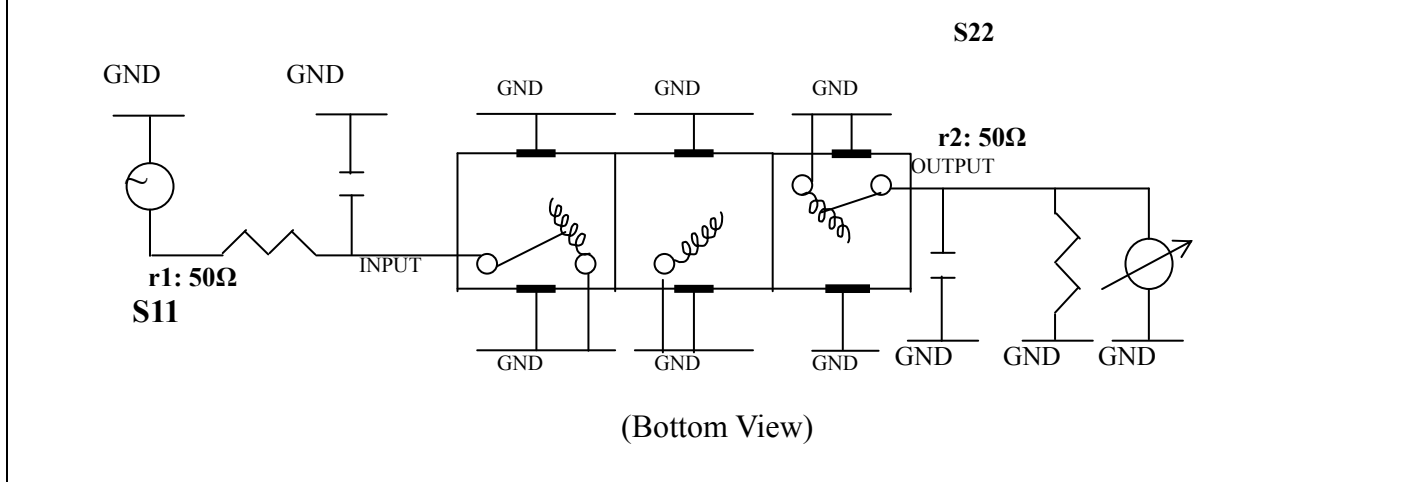
Item	Specify	Performance
Center Freq.(Fo) +/- 0.5 %	2025 MHz	2025 MHz
Insertion Loss	Typ. 4.0 dB	3.15 dB
-3 dB Bandwidth	Typ. 39 MHz	52.7 MHz
Sensitivity (Attenuation)	Fo - 150 MHz	Typ. 37 dBc
	Fo + 150 MHz	Typ. 29 dBc
	Fo - ()MHz	Typ. dBc
	Fo + ()MHz	Typ. dBc
Return Loss	Min. 12 dB	26.6 dB
Ripple	< 1 dB	dB
Impedance	In / Out : 50 Ω	In / Out : 50 Ω
(4) Torque for Tuning Screw	> 60gf · cm	

(5) Temperature Condition:

Operating Temperature	0°C ~ +60°C
Storage Temperature	-20°C ~ +70°C

(6) Input Power

(7) Measuring Circuit: ※Easy to match Impedance S11/S22 50Ω by parallel with about(- -).

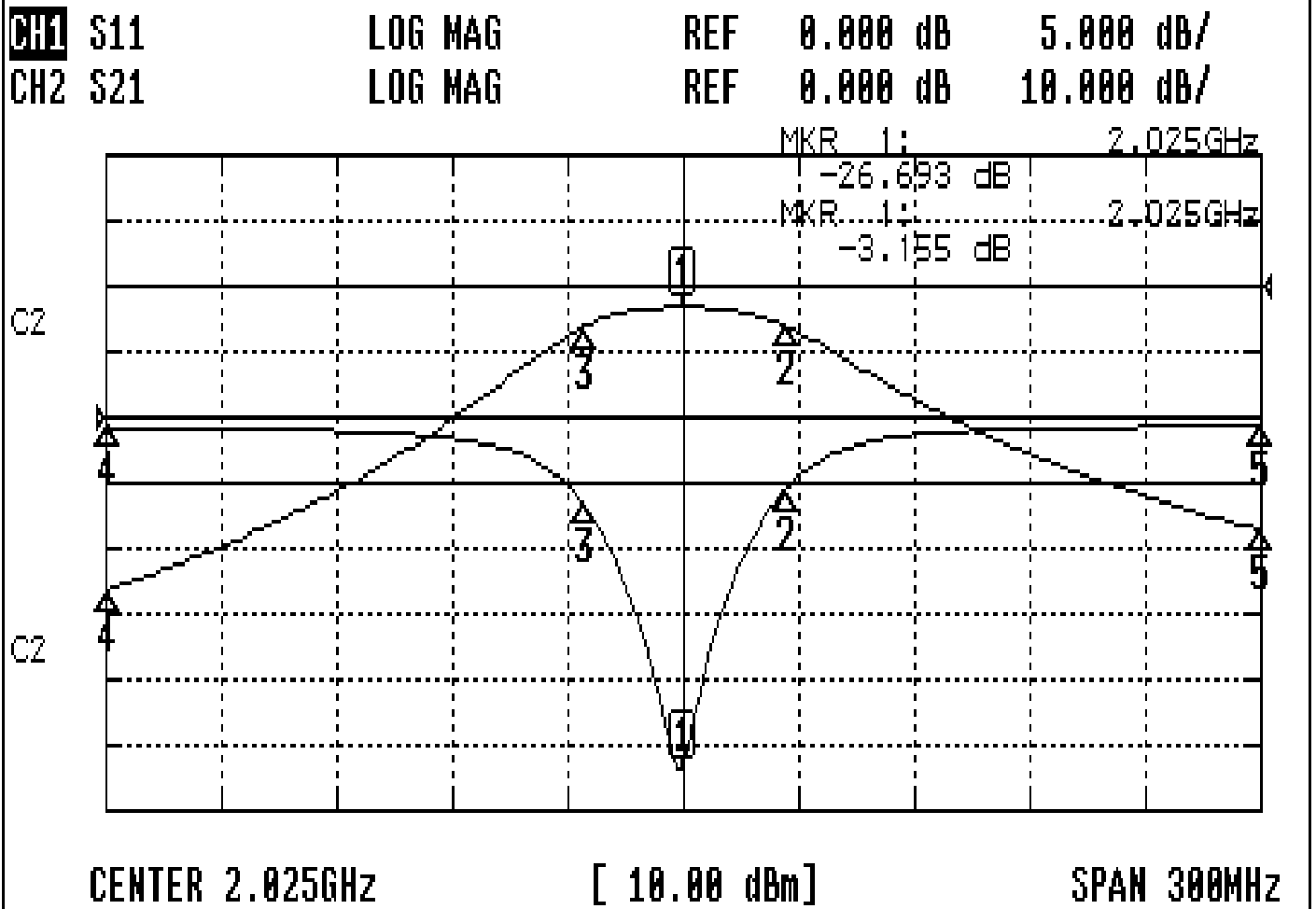


Approval C.Y.Chang	Supervisor C.K.Chang	Designer M.Y.Kang	Aperture size 5W3S(3.8*3.5)(3.57) 5HW046RB3.2 (J1)
-----------------------	-------------------------	----------------------	--

TEMWELL CORPORATION

Performance-TTW3522B-2025M

201407069CD



CH1 MARKER LIST

Marker	Freq (GHz)	Magnitude (dB)
1	2.025000	-26.693
2	2.051750	-5.413
3	1.999000	-6.515
4	1.875000	-0.735
5	2.175000	-0.667

CH2 MARKER LIST

Marker	Freq (GHz)	Magnitude (dB)
1	2.025000	-3.154
2	2.051750	-6.156
3	1.999000	-6.184
4	1.875000	-46.333
5	2.175000	-37.237