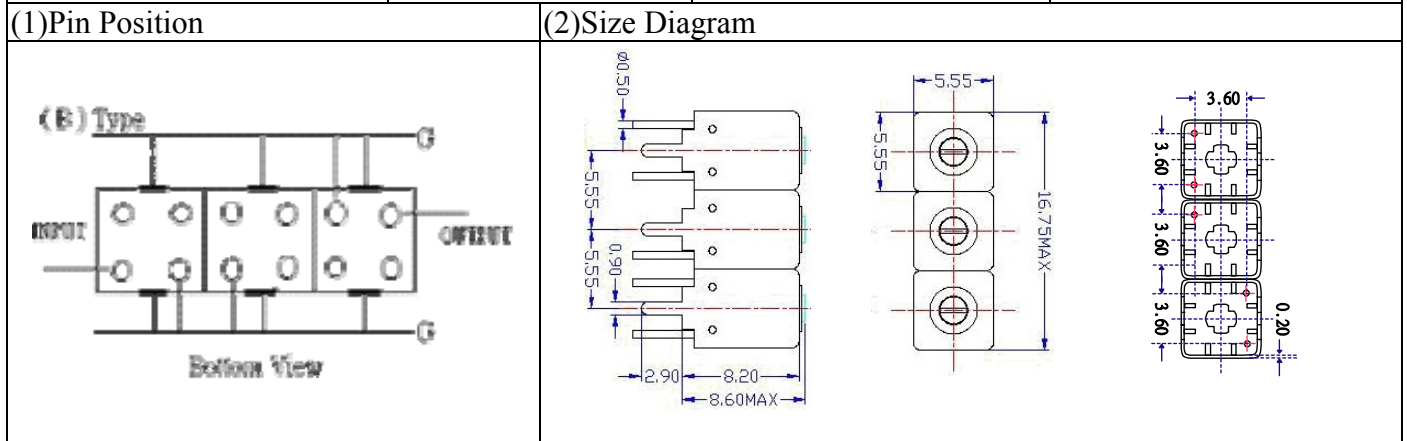


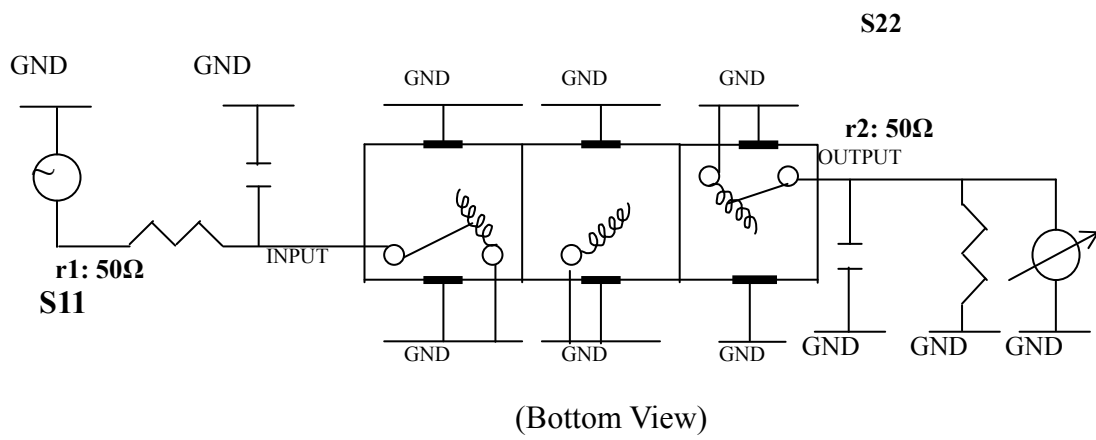
VHF UHF Helical Filter Specification Sheet

Customer Name		Temwell's Part No.	TTW3519B-1925M
Approval No. /dated	201407080CD	Temwell's Print Name.	3519B 1925M
Work Instruction No.	201407080CD	Date	Nov.13.2014



(3) Electric Character			
Item		Specify	Performance
Center Freq.(Fo) +/- 0.5 %		1925 MHz	1925 MHz
Insertion Loss		Typ. 4.0 dB	2.76 dB
-3 dB Bandwidth		Typ. 45 MHz	58.0 MHz
Sensitivity (Attenuation)	Fo - 150 MHz	Typ. 39 dBc	42 dBc
	Fo + 150 MHz	Typ. 27 dBc	30 dBc
	Fo - ()MHz	Typ. dBc	dBc
	Fo +()MHz	Typ. dBc	dBc
Return Loss		Min. 12 dB	27.4 dB
Ripple		< 1 dB	dB
Impedance		In / Out : 50 Ω	In / Out : 50 Ω
(4) Torque for Tuning Screw		> 60gf · cm	
(5) Temperature Condition:			
Operating Temperature		0°C ~ +60°C	
Storage Temperature		-20°C ~ +70°C	
(6) Input Power		> 0.5Watt	

(7) Measuring Circuit: ※Easy to match Impedance S11/S22 50Ω by parallel with about(--)



Approval C.Y.Chang	Supervisor C.K.Chang	Designer C.S.Chang	Aperture size 5W3S(3.8*4.0)(4.08) 5HW046RB3.2(J1)
-----------------------	-------------------------	-----------------------	---

TEMWELL CORPORATION

Performance-TTW3519B-1925M

201407080CD

Tr1 S11 Log Mag 5.000dB/ Ref 0.000dB [F2]
Tr2 S21 Log Mag 10.00dB/ Ref 0.000dB [F2]

