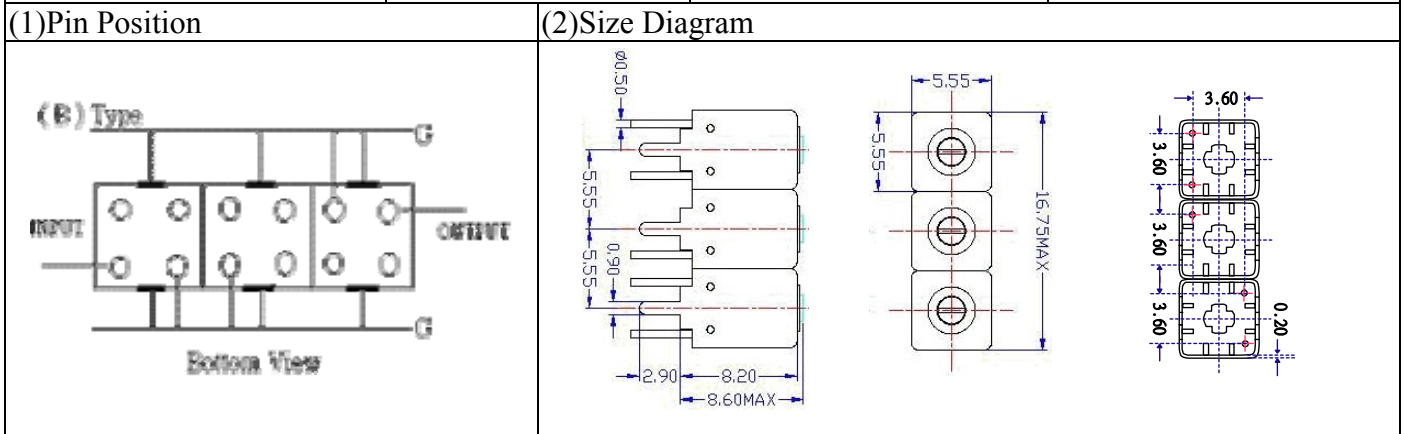


# VHF UHF Helical Filter Specification Sheet

Customer Name		Temwell's Part No.	TTW3514B-815M
Approval No. /dated		Temwell's Print Name.	3514B 815M
Work Instruction No.	201406034CD	Date	Jun.17.2014



(3) Electric Character			
Item	Specify	Performance	
Center Freq.(Fo) +/- 0.5 %	815 MHz	815	MHz
Insertion Loss	Typ. 4.5 dB	2.57	dB
-3 dB Bandwidth	Typ. 23 MHz	29.6	MHz
Sensitivity (Attenuation)	Fo - 100 MHz	Typ. 51	dBc
	Fo + 100 MHz	Typ. 39	dBc
	Fo - ( )MHz	Typ.	dBc
	Fo +( )MHz	Typ.	dBc
Return Loss	Min. 12 dB	21.6	dB
Ripple	< 1 dB		dB
Impedance	In / Out : 50 Ω	In / Out : 50 Ω	

(4) Torque for Tuning Screw > 60gf · cm

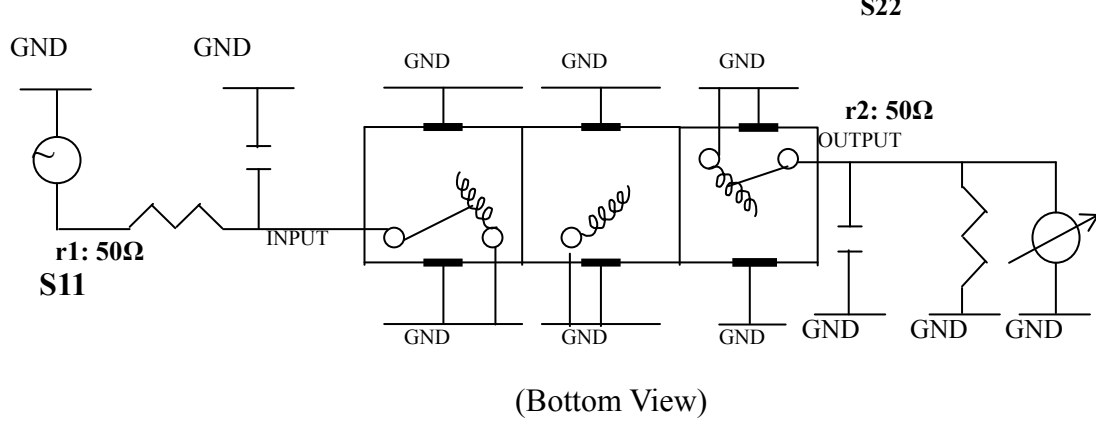
(5) Temperature Condition:

Operating Temperature 0°C ~ +60°C

Storage Temperature -20°C ~ +70°C

(6) Input Power > 0.5Watt

(7) Measuring Circuit: ※Easy to match Impedance S11/S22 50Ω by parallel with about( -- )



Approval C.Y.Chang	Supervisor C.K.Chang	Designer P.H.Chiang	Aperture size 5W3S(3.8*4.0)(4.04) 5HW02RB3
-----------------------	-------------------------	------------------------	--

TEMWELL CORPORATION

# Performance-TTW3513B-815M

## 201406034CD

