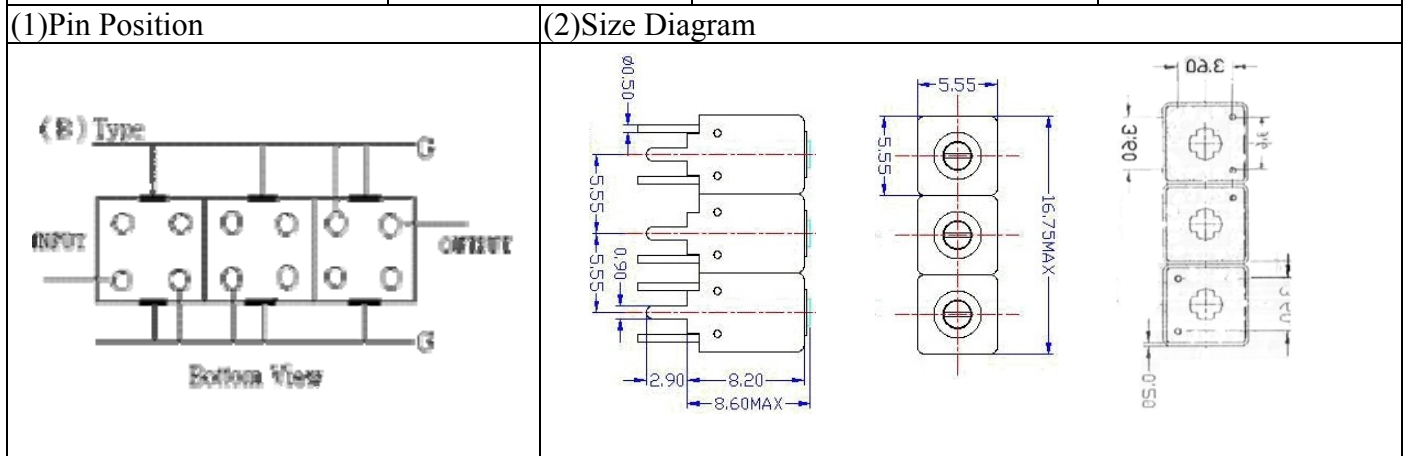


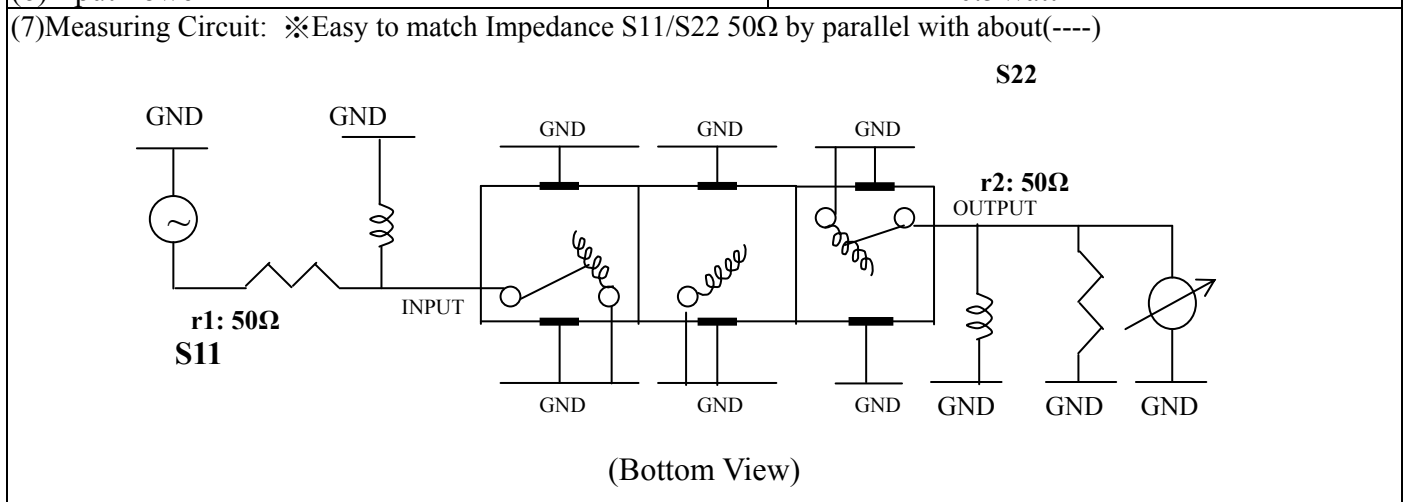
# VHF UHF Helical Filter Specification Sheet

Customer Name		Temwell's Part No.	TTW3500B-765M
Approval No. /dated	201406050CD	Temwell's Print Name.	3500B 765M
Work Instruction No.	201406050CD	Date	Jul.01.2014



(3) Electric Character			
Item		Specify	Performance
Center Freq.(Fo) +/- 0.5 %		765 MHz	765 MHz
Insertion Loss		Typ. 3.5 dB	2.60 dB
-3 dB Bandwidth		Typ. 30 MHz	34.5 MHz
Sensitivity (Attenuation)	Fo -50 MHz	Typ. 30 dBc	33 dBc
	Fo +50 MHz	Typ. 22 dBc	25 dBc
	Fo -( )MHz	Typ. dBc	dBc
	Fo +( )MHz	Typ. dBc	dBc
Return Loss		Min. 12 dB	18.2 dB
Ripple		< 1 dB	dB
Impedance		In / Out : 50 Ω	In / Out : 50 Ω
(4) Torque for Tuning Screw		> 60gf • cm	

(5) Temperature Condition:	
Operating Temperature	0°C ~ +60°C
Storage Temperature	-20°C ~ +70°C
(6) Input Power	> 0.5Watt



Approval	Supervisor	Designer	Aperture size
C.Y.Chang	C.K.Chang	P.H.Chiang	5W3S(3.8*4.5)(4.54) 5HW024RB3
TEMWELL CORPORATION			

# Performance-TTW3500B-765M

## 201406050CD

Tr1 S11 Log Mag 5.000dB/ Ref 0.000dB [F2]  
Tr2 S21 Log Mag 10.00dB/ Ref 0.000dB [F2]

