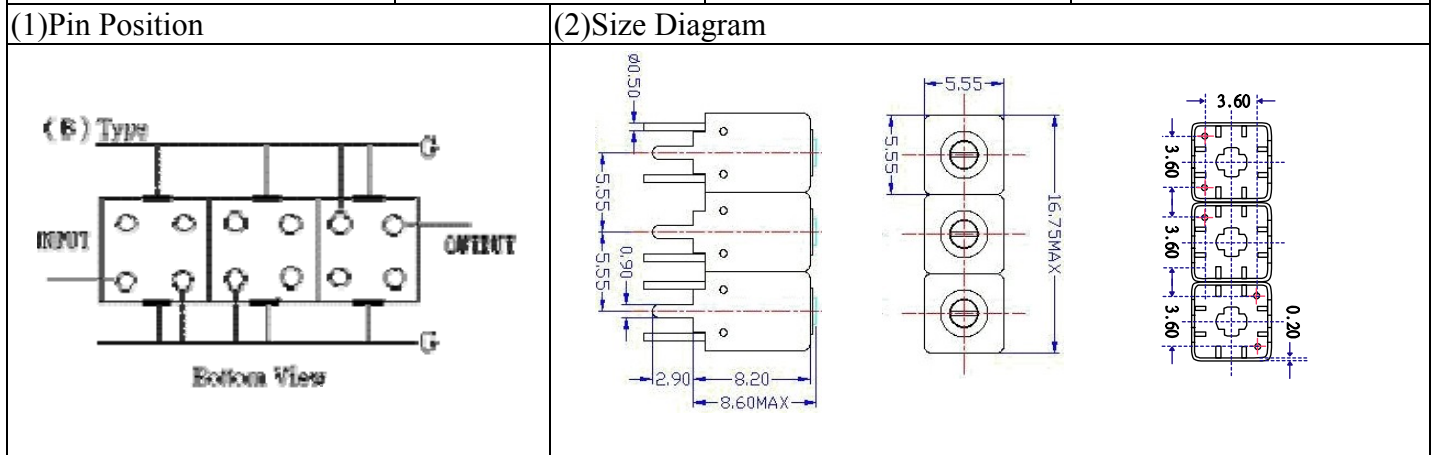


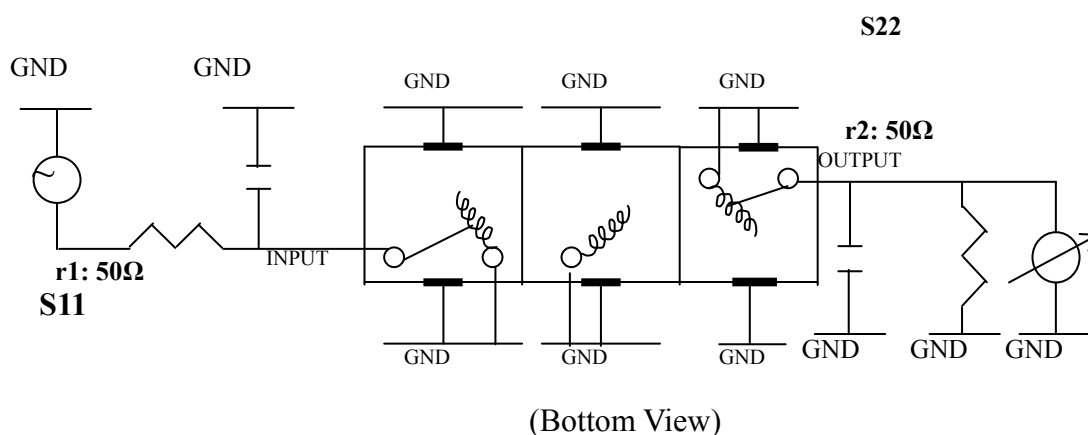
VHF UHF Helical Filter Specification Sheet

Customer Name		Temwell's Part No.	TTW3482B-680M
Approval No. /dated		Temwell's Print Name.	3482B 680M
Work Instruction No.	201406058CD	Date	Jul.03.2014



(3) Electric Character			
Item		Specify	Performance
Center Freq.(Fo) +/- 0.5 %		680 MHz	680 MHz
Insertion Loss		Typ. 3.5 dB	2.42 dB
-3 dB Bandwidth		Typ. 26 MHz	29.8 MHz
Sensitivity (Attenuation)	Fo - 50 MHz	Typ. 35 dBc	37 dBc
	Fo + 50 MHz	Typ. 23 dBc	25 dBc
	Fo - ()MHz	Typ. dBc	dBc
	Fo + ()MHz	Typ. dBc	dBc
Return Loss		Min. 12 dB	18.5 dB
Ripple		< 1 dB	dB
Impedance		In / Out : 50 Ω	In / Out : 50 Ω
(4) Torque for Tuning Screw		> 60gf · cm	
(5) Temperature Condition:			
Operating Temperature		0°C ~ +60°C	
Storage Temperature		-20°C ~ +70°C	
(6) Input Power		> 0.5Watt	

(7) Measuring Circuit: ※Easy to match Impedance S11/S22 50Ω by parallel with about(--) / (--).



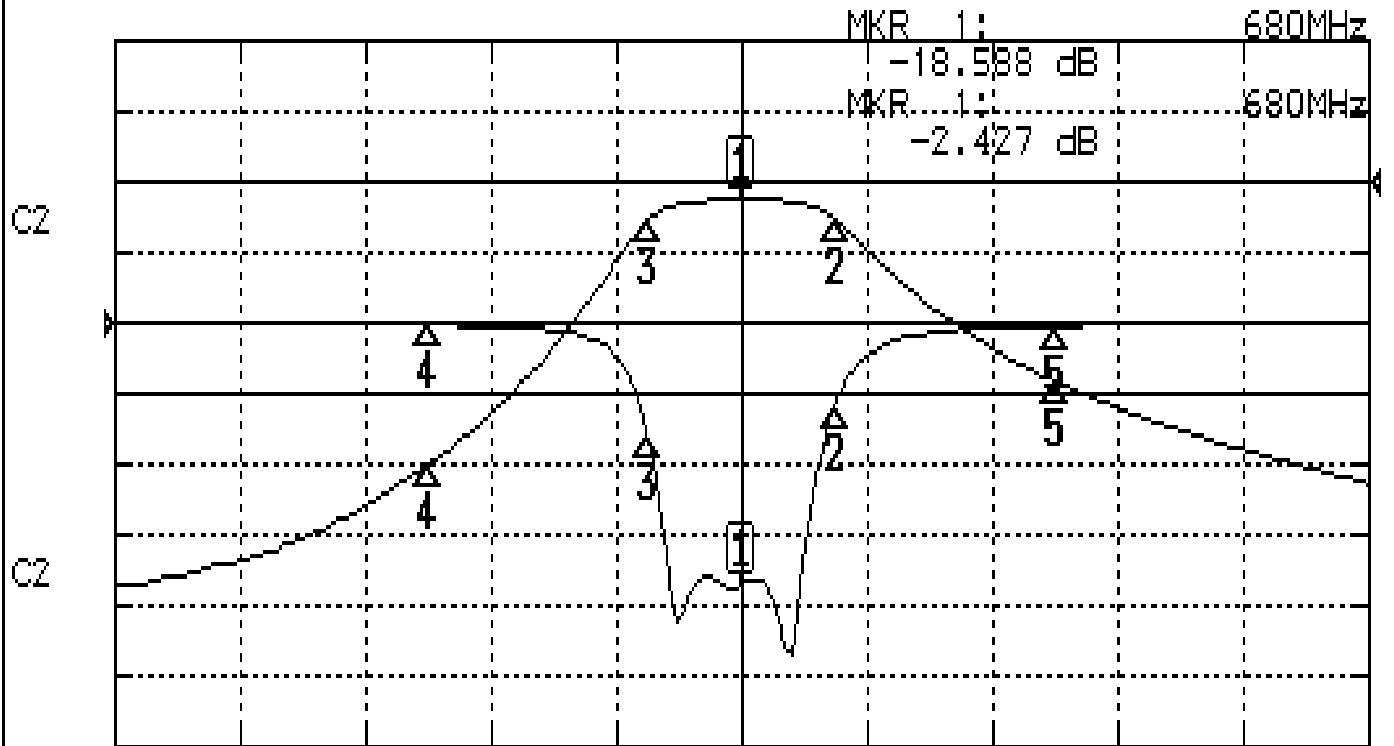
Approval C.Y.Chang	Supervisor C.K.Chang	Designer C.H.Yeh	Aperture size 5W3S(3.8*4.5)(4.52) 5HW024RB3
-----------------------	-------------------------	---------------------	---------------------------------------------------

TEMWELL CORPORATION

Performance-TTW3482B-680M

201406058CD

CH1 S11 LOG MAG REF 0.000 dB 5.000 dB/
CH2 S21 LOG MAG REF 0.000 dB 10.000 dB/



CENTER 680MHz

[10.00 dBm]

SPAN 200MHz

CH1 MARKER LIST

Marker	Frequency (MHz)	Magnitude (dB)
1:	680.000	-18.588
2:	695.000	-5.784
3:	665.166	-7.983
4:	630.000	-0.108
5:	730.000	-0.179
6:		
7:		
8:		
9:		
10:		

CH2 MARKER LIST

Marker	Frequency (MHz)	Magnitude (dB)
1:	680.000	-2.427
2:	695.000	-5.384
3:	665.166	-5.429
4:	630.000	-40.112
5:	730.000	-28.243
6:		
7:		
8:		
9:		
10:		