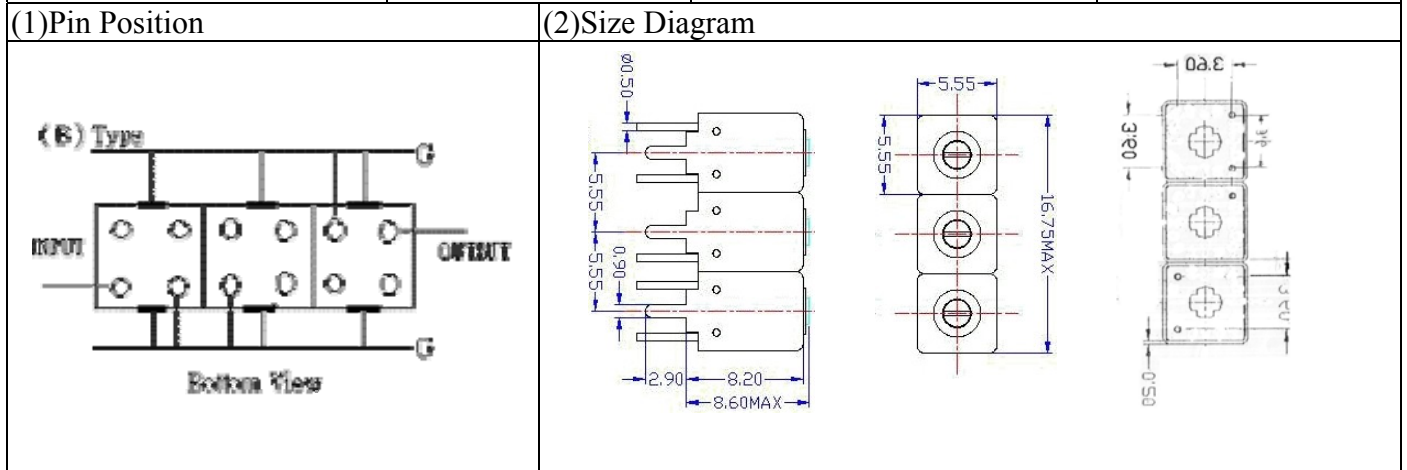


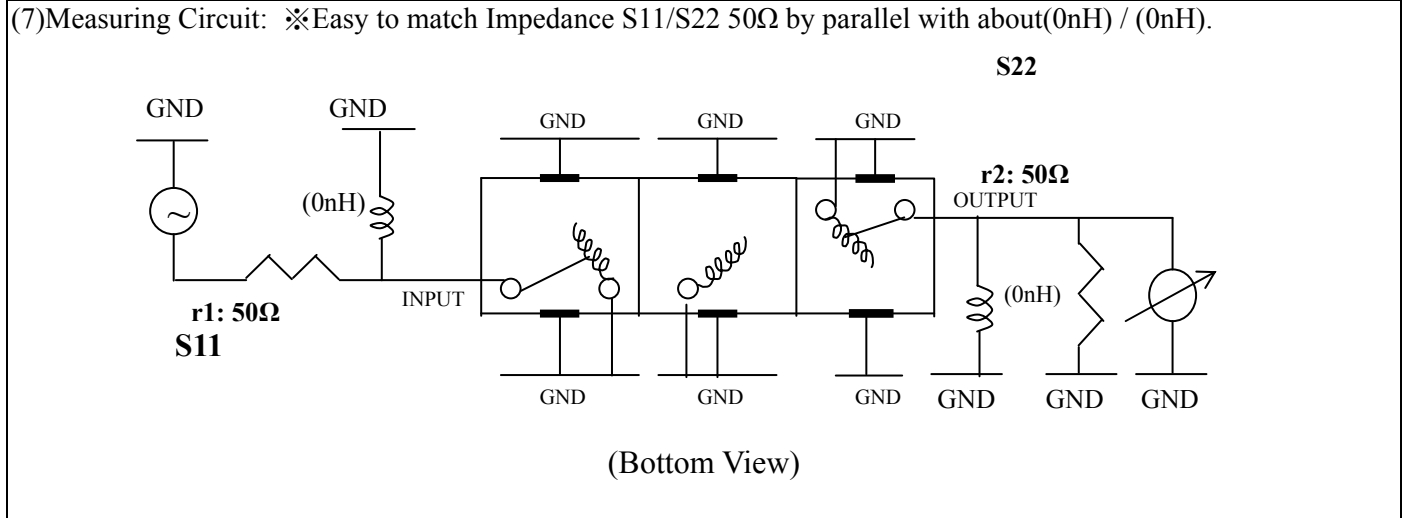
VHF UHF Helical Filter Specification Sheet

Customer Name		Temwell's Part No.	TTW3481B-680M
Approval No. /dated	0904038CD	Temwell's Print Name.	3481B 680M
Work Instruction No.	200904038CD	Date	Jun.11.2009



(3) Electric Character			
Item	Specify		Performance
Center Freq.(Fo) +/- 0.5 %	680	MHz	680 MHz
Insertion Loss	Typ. 4.5	dB	3.72 dB
-3 dB Bandwidth	Typ. 10	MHz	18.2 MHz
Sensitivity (Attenuation)	Fo - 30 MHz	Typ. 31	dBc
	Fo + 30 MHz	Typ. 22	dBc
	Fo - ()MHz	Typ.	dBc
	Fo +()MHz	Typ.	dBc
Return Loss	Min. 12	dB	21.9 dB
Ripple	< 1	dB	dB
Impedance	In / Out : 50 Ω		In / Out : 50 Ω
(4) Torque for Tuning Screw	> 60gf · cm		

(5) Temperature Condition:	
Operating Temperature	0°C ~ +60°C
Storage Temperature	-20°C ~ +70°C
(6) Input Power	> 0.5Watt

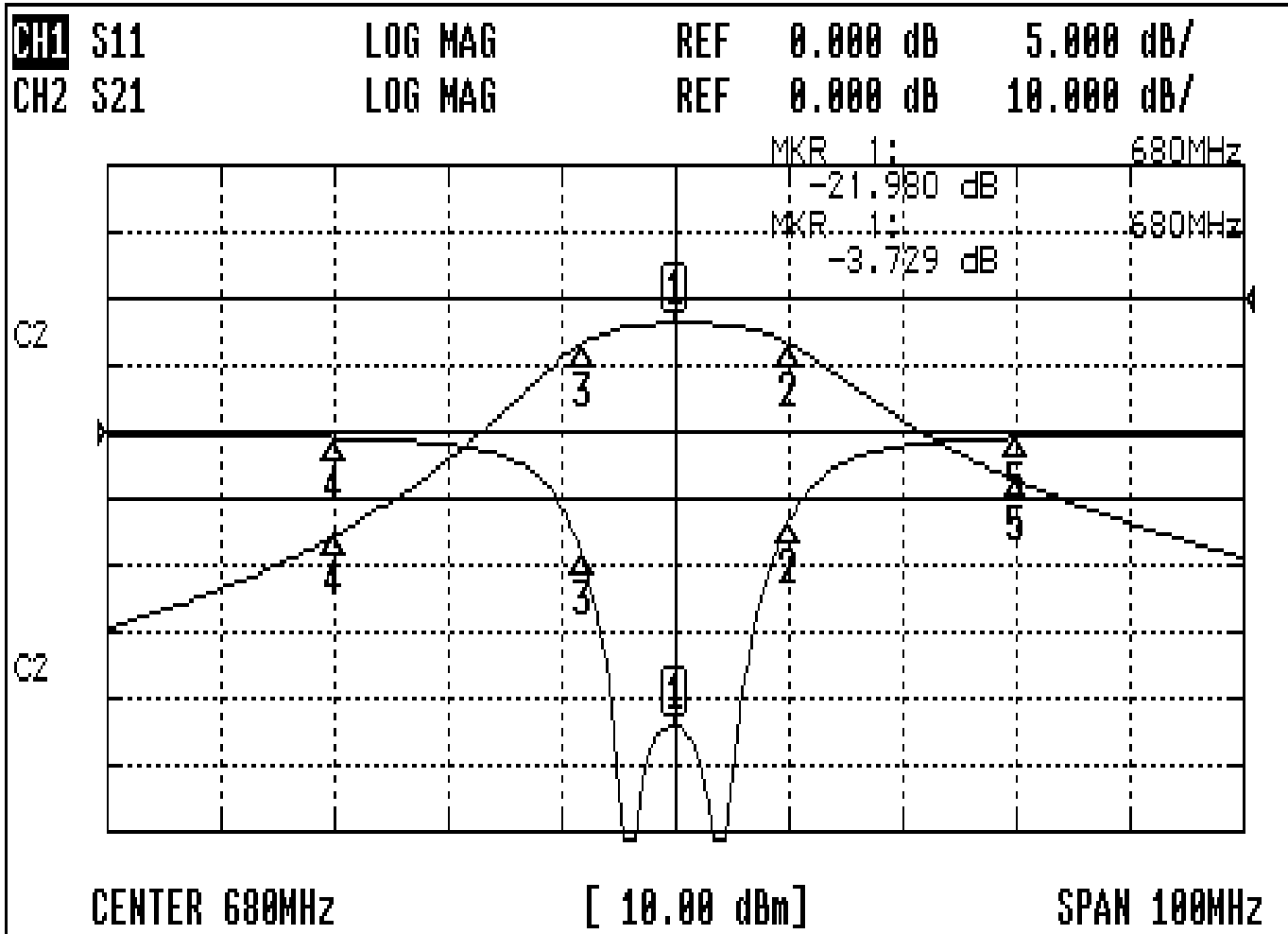


Approval	Supervisor	Designer	Aperture size
C.Y.Chang	C.K.Chang	Y.H.Yeh	5W3S(3.8*3.5)(3.59) 5HW024RB3

TEMWELL CORPORATION

Performance-TTW3481B-680M

200904038CD



CH1 MARKER LIST

1:	680.000MHz	-21.980	dB
2:	690.000MHz	-6.836	dB
3:	671.850MHz	-9.182	dB
4:	650.000MHz	-0.453	dB
5:	710.000MHz	-0.420	dB

CH2 MARKER LIST

1:	680.000MHz	-3.725	dB
2:	690.000MHz	-6.765	dB
3:	671.850MHz	-6.732	dB
4:	650.000MHz	-35.512	dB
5:	710.000MHz	-27.216	dB