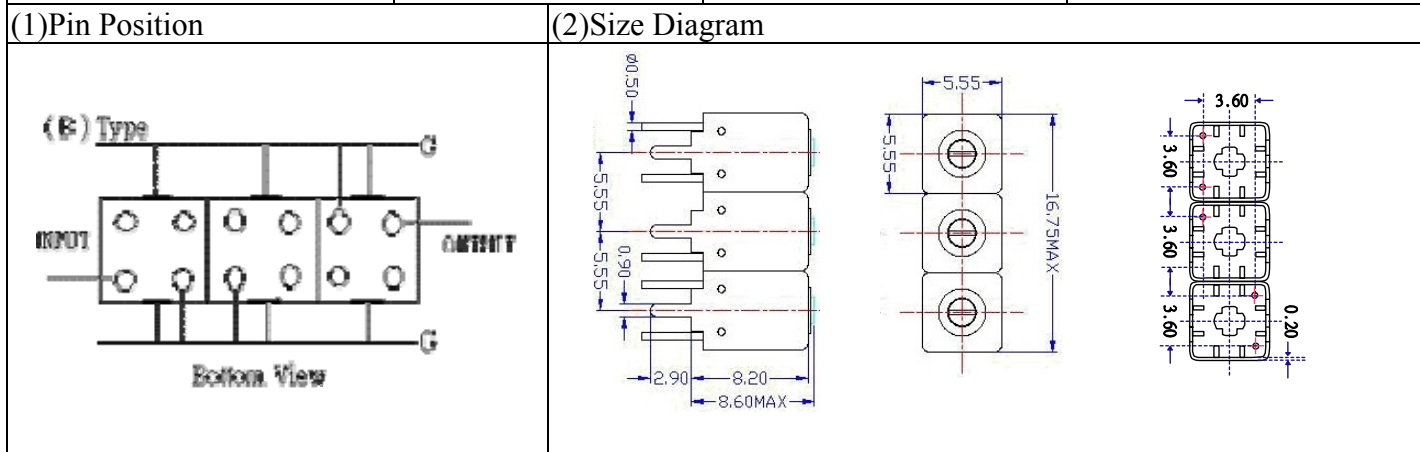


VHF UHF Helical Filter Specification Sheet

Customer Name		Temwell's Part No.	TTW3475B-650M
Approval No. /dated		Temwell's Print Name.	3475B 650M
Work Instruction No.	201406062CD	Date	Jul.01.2014



(3) Electric Character

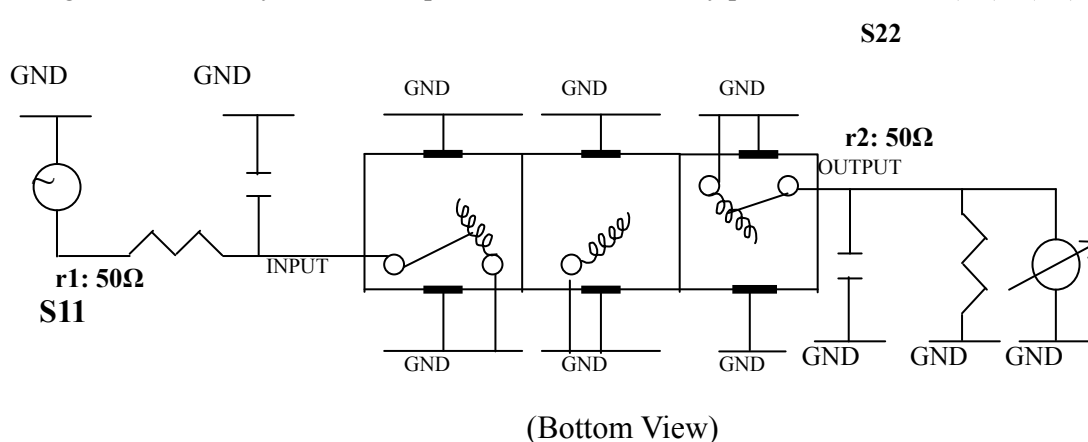
Item	Specify	Performance
Center Freq.(Fo) +/- 0.5 %	650 MHz	650 MHz
Insertion Loss	Typ. 4.5 dB	3.39 dB
-3 dB Bandwidth	Typ. 9 MHz	17.6 MHz
Sensitivity (Attenuation)	Fo - 50 MHz	Typ. 42 dBc
	Fo + 50 MHz	Typ. 30 dBc
	Fo - ()MHz	Typ. dBc
	Fo + ()MHz	Typ. dBc
Return Loss	Min. 12 dB	34.5 dB
Ripple	< 1 dB	dB
Impedance	In / Out : 50 Ω	In / Out : 50 Ω
(4) Torque for Tuning Screw	> 60gf · cm	

(5) Temperature Condition:

Operating Temperature	0°C ~ +60°C
Storage Temperature	-20°C ~ +70°C

(6) Input Power

(7) Measuring Circuit: ※Easy to match Impedance S11/S22 50Ω by parallel with about(--) / (--).

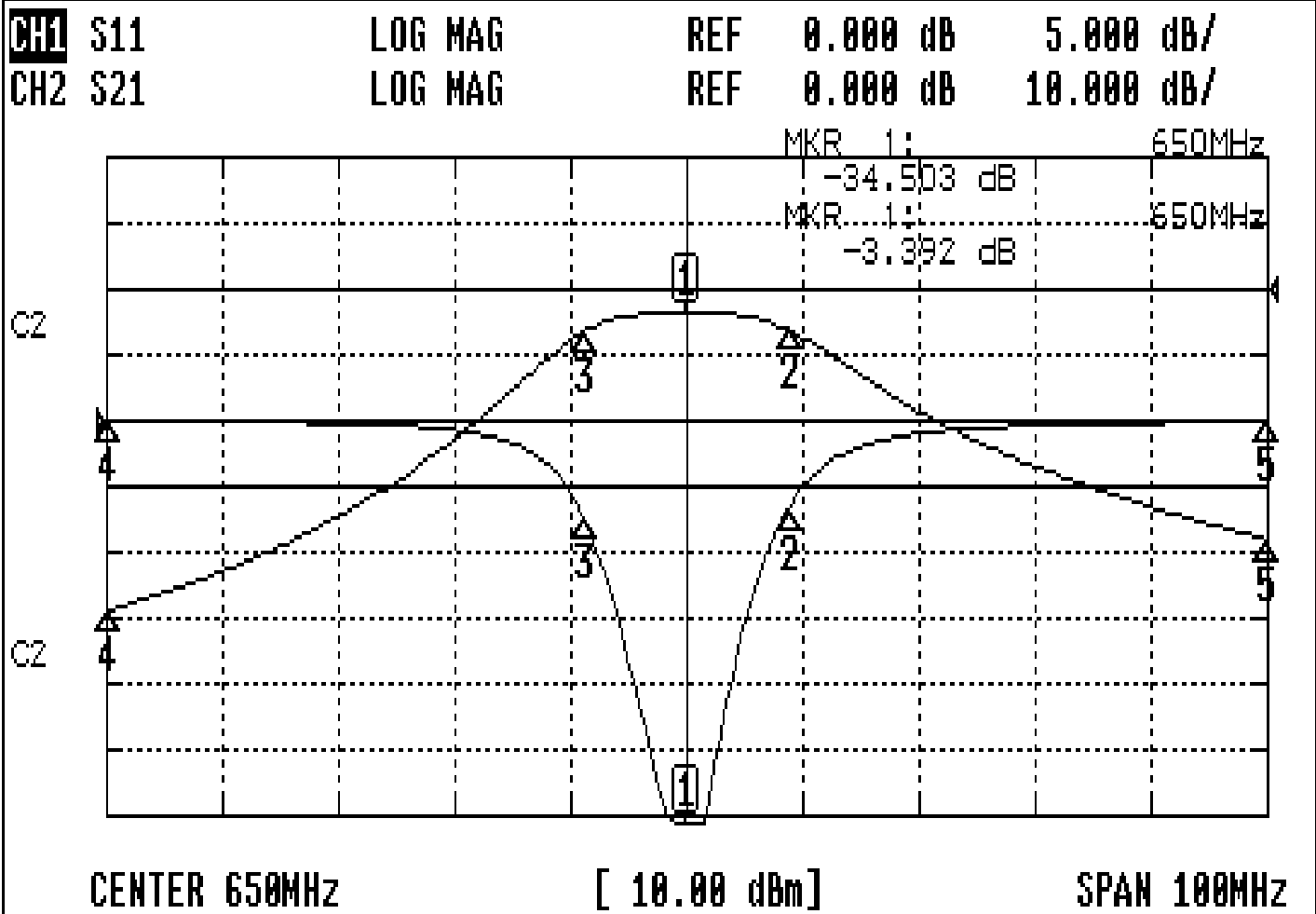


Approval C.Y.Chang	Supervisor C.K.Chang	Designer M.Y.Kang	Aperture size 5W3S(3.8*3.5)(3.59) 5HW024RB3
-----------------------	-------------------------	----------------------	---

TEMWELL CORPORATION

Performance-TTW3475B-650M

201406062CD



CH1 MARKER LIST

1:	650.000MHz	-34.503	dB
2:	658.916MHz	-6.545	dB
3:	641.250MHz	-7.410	dB
4:	600.000MHz	0.001	dB
5:	700.000MHz	-0.067	dB

CH2 MARKER LIST

1:	650.000MHz	-3.392	dB
2:	658.916MHz	-6.371	dB
3:	641.250MHz	-6.362	dB
4:	600.000MHz	-48.600	dB
5:	700.000MHz	-37.996	dB