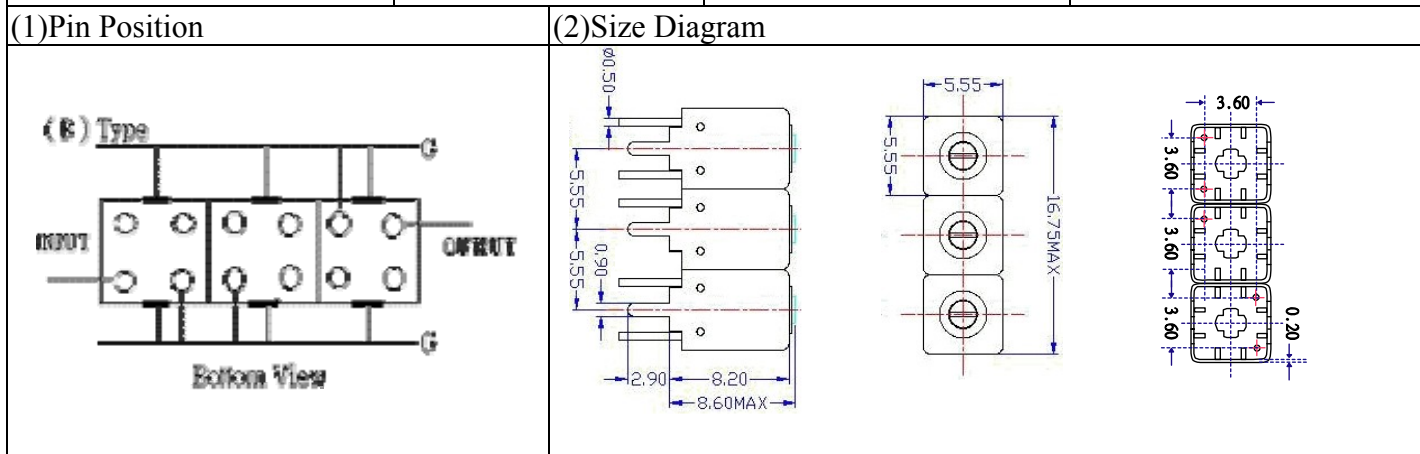


VHF UHF Helical Filter Specification Sheet

Customer Name		Temwell's Part No.	TTW3471B-612M
Approval No. /dated	201406060CD	Temwell's Print Name.	3471B 612M
Work Instruction No.	201406060CD	Date	Jul.30.2014



(3) Electric Character

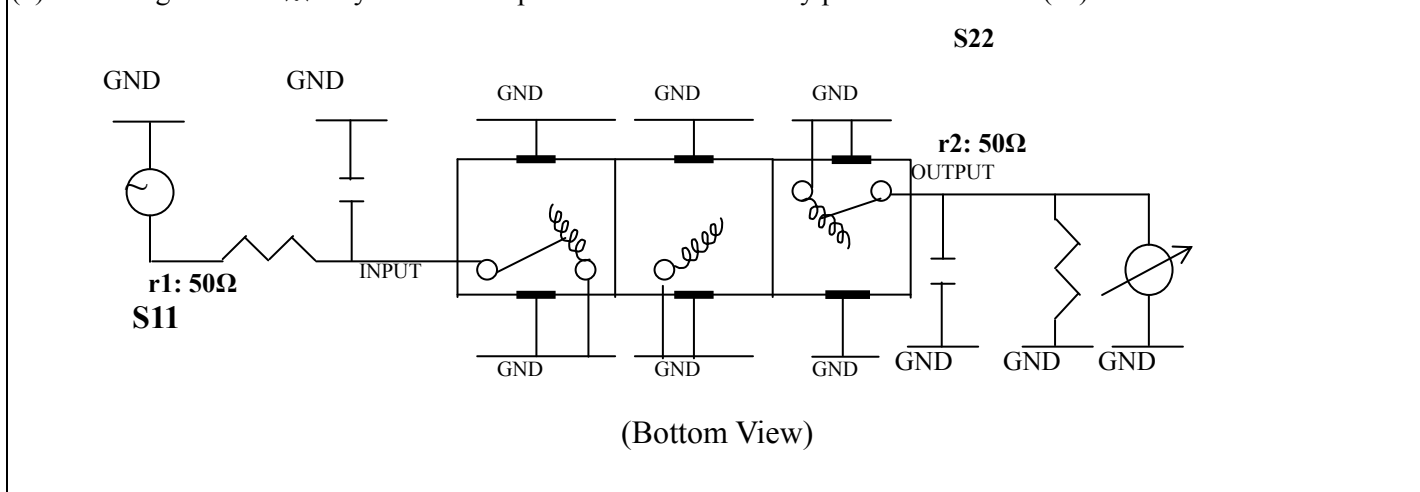
Item	Specify	Performance
Center Freq.(Fo) +/- 0.5 %	612 MHz	612 MHz
Insertion Loss	Typ. 3.0 dB	2.53 dB
-3 dB Bandwidth	Typ. 19 MHz	26.6 MHz
Sensitivity (Attenuation)	Fo -50 MHz	Typ. 37 dBc
	Fo +50 MHz	Typ. 26 dBc
	Fo - ()MHz	Typ. dBc
	Fo +()MHz	Typ. dBc
Return Loss	Min. 12 dB	21.5 dB
Ripple	< 1 dB	dB
Impedance	In / Out : 50 Ω	In / Out : 50 Ω
(4) Torque for Tuning Screw	> 60gf · cm	

(5) Temperature Condition:

Operating Temperature	0°C ~ +60°C
Storage Temperature	-20°C ~ +70°C

(6) Input Power

(7) Measuring Circuit: ※Easy to match Impedance S11/S22 50Ω by parallel with about(- -).

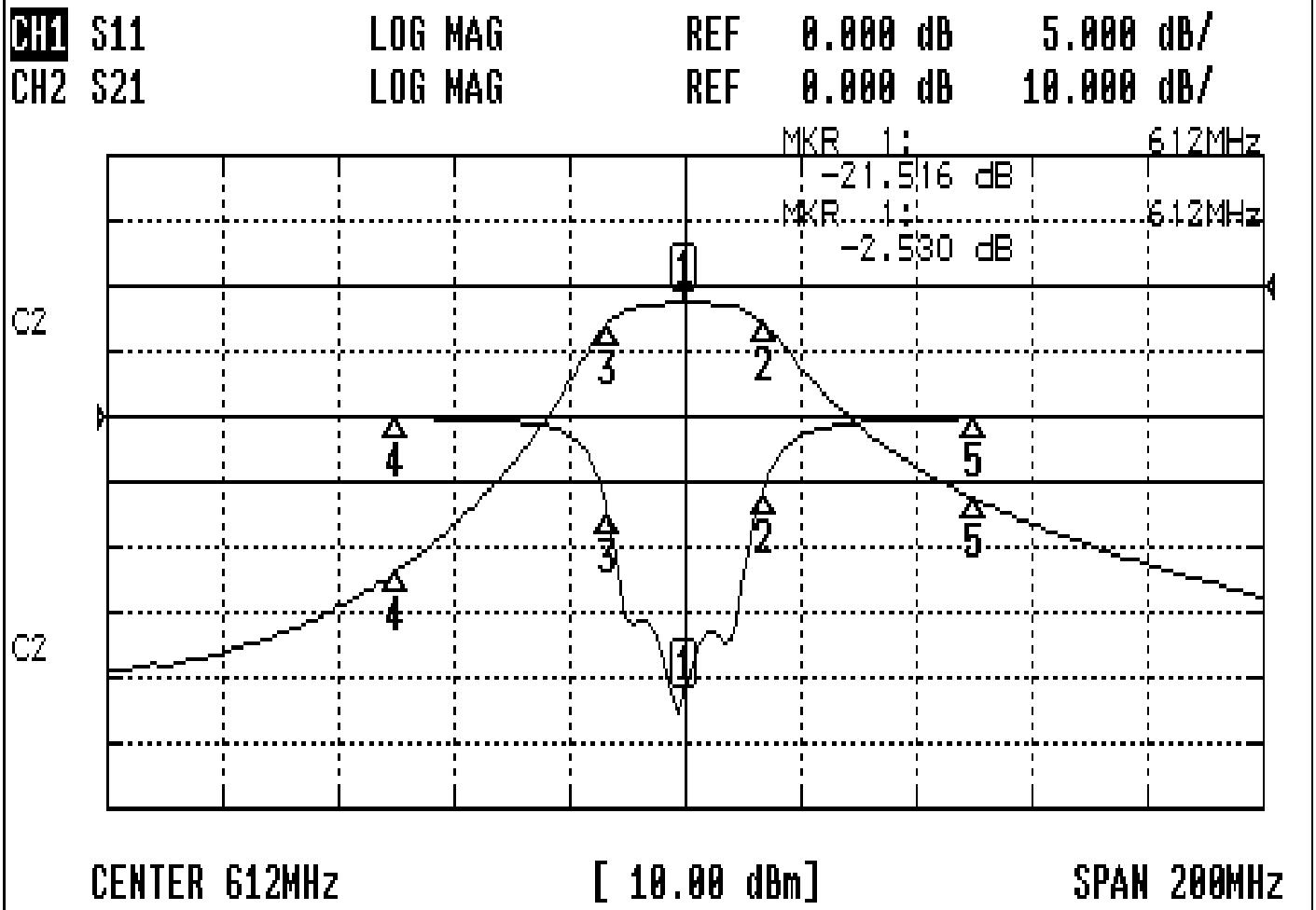


Approval	Supervisor	Designer	Aperture size
C.Y.Chang	C.K.Chang	Y.L.Pan	5W3S(3.8*4.0)(4.09) 5HW024RB3

TEMWELL CORPORATION

Performance-TTW3471B-612M

201406060CD



CH1 MARKER LIST

1:	612.000MHz	-21.516	dB
2:	625.500MHz	-5.762	dB
3:	598.833MHz	-7.659	dB
4:	562.000MHz	-0.094	dB
5:	662.000MHz	-0.130	dB
10:			

CH2 MARKER LIST

1:	612.000MHz	-2.532	dB
2:	625.500MHz	-1.146	dB
3:	598.833MHz	-1.502	dB
4:	562.000MHz	-1.437	dB
5:	662.000MHz	-32.500	dB
10:			