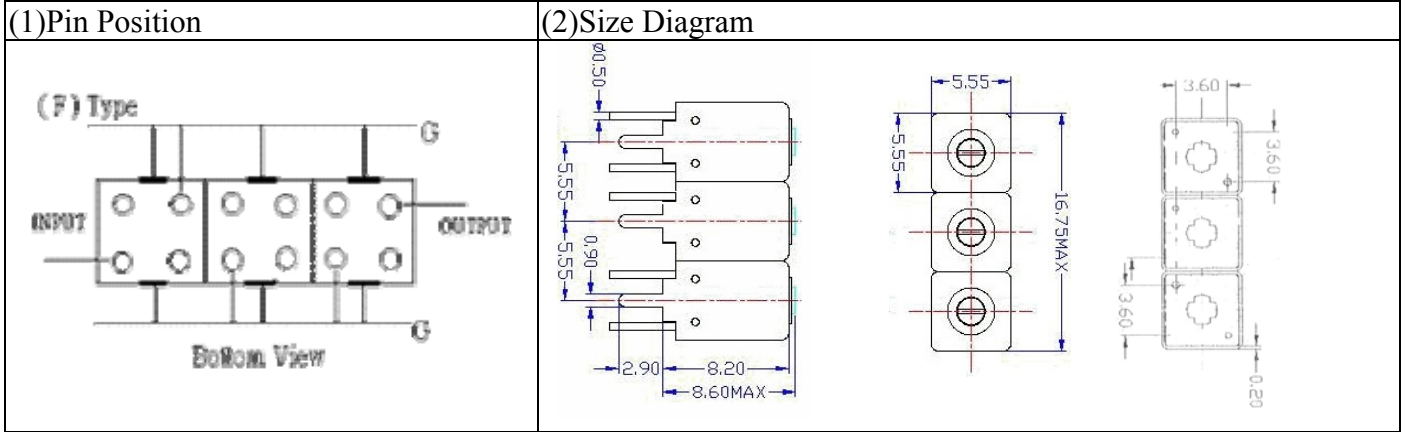


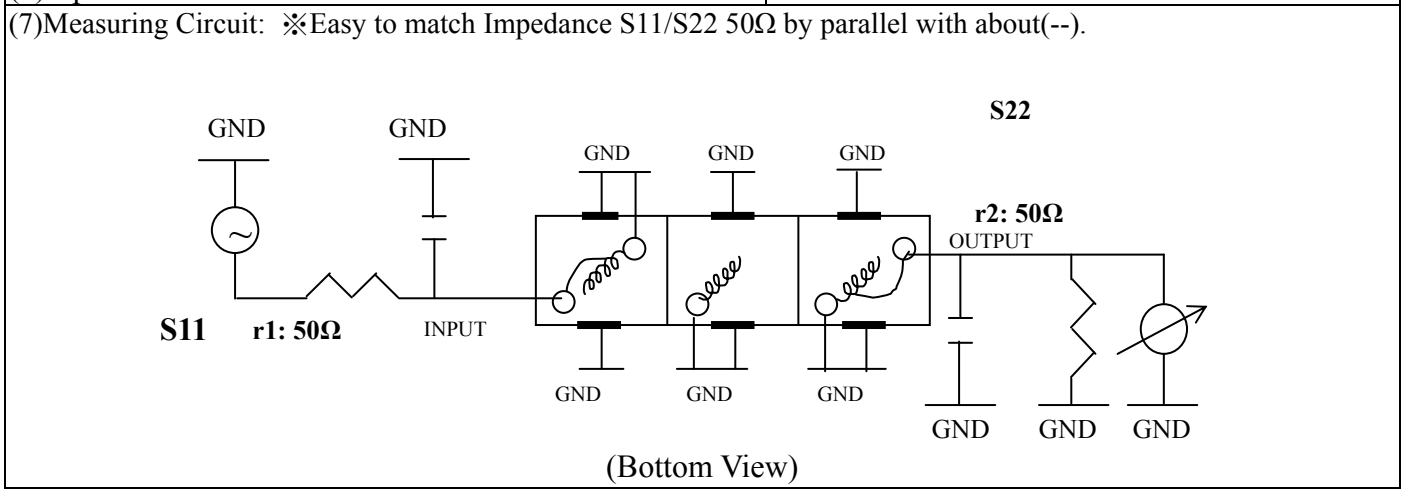
# VHF UHF Helical Filter Specification Sheet

Customer Name		Temwell's Part No.	TTW3462F-580M
Approval No. /dated		Temwell's Print Name.	3462F 580M
Work Instruction No.	201406063CD	Date	Jul.01.2014



(3) Electric Characteristic			
Item		Specify	Performance
Center Freq.(Fo) +/- 0.5 %		580 MHz	580 MHz
Insertion Loss		Typ. 3.0 dB	2.00 dB
-3 dB Bandwidth		Typ. 30 MHz	33.1 MHz
Sensitivity (Attenuation)	Fo - 50 MHz	Typ. 24 dBc	28 dBc
	Fo + 50 MHz	Typ. 25 dBc	28 dBc
	Fo - ( )MHz	Typ. dBc	dBc
	Fo + ( )MHz	Typ. dBc	dBc
Return Loss		Min 12 dB	27.1 dB
Ripple		< 1 dB	dB
Impedance		In / Out : 50 Ω	In / Out : 50 Ω
(4) Torque for Tuning Screw		> 60gf · cm	

(5) Temperature Condition:	
Operating Temperature	0°C ~ +60°C
Storage Temperature	-20°C ~ +70°C
(6) Input Power	> 0.5Watt



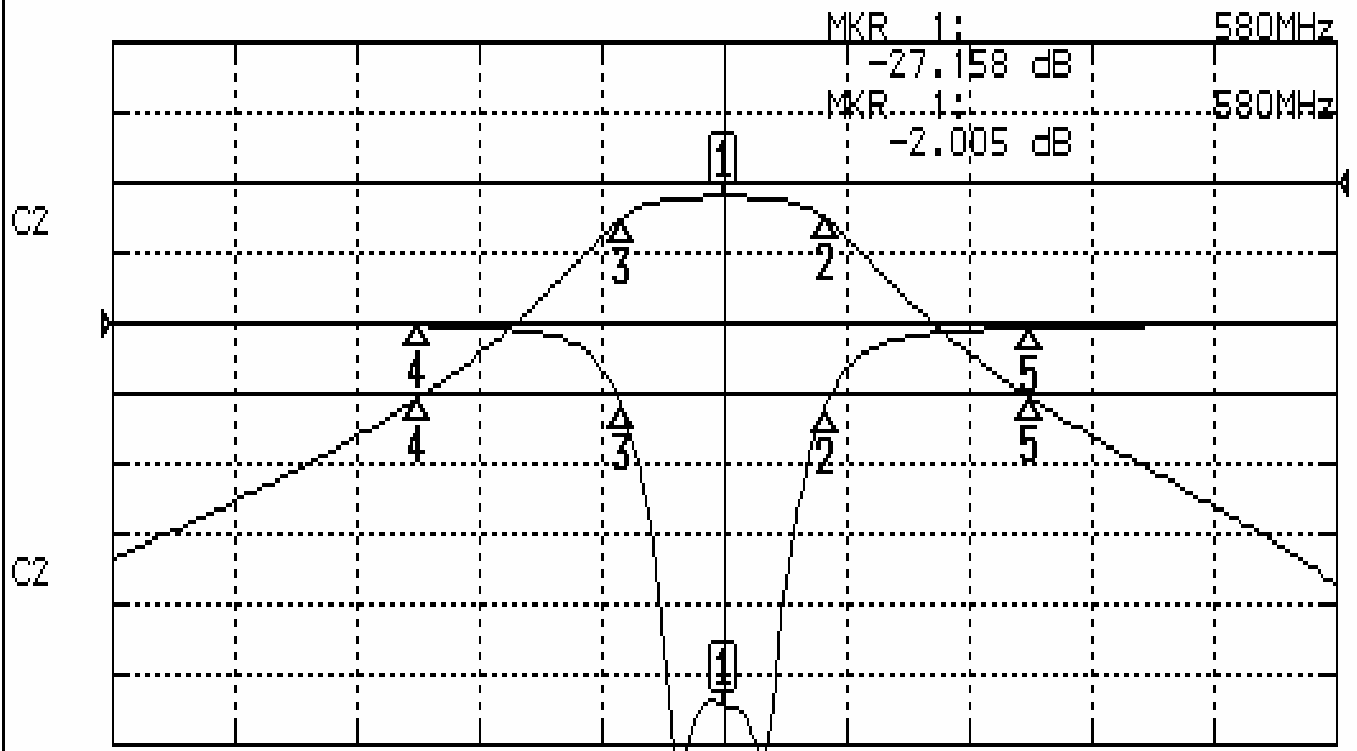
Approval	Supervisor	Designer	Aperture size
C.Y.Chang	C.K.Chang	M.Y.Kang	5W3S(3.8*4.5)(4.58) 5HW024RB3

TEMWELL CORPORATION

# Performance-TTW3462F-580M

## 201406063CD

CH1 S11 LOG MAG REF 0.000 dB 5.000 dB/  
CH2 S21 LOG MAG REF 0.000 dB 10.000 dB/



CENTER 580MHz

[ 10.00 dBm ]

SPAN 200MHz

### CH1 MARKER LIST

1:	580.000MHz	-27.158 dB
2:	596.500MHz	-16.087 dB
3:	603.333MHz	-16.897 dB
4:	530.000MHz	-0.132 dB
5:	630.000MHz	-0.305 dB

### CH2 MARKER LIST

1:	580.000MHz	-2.003 dB
2:	596.500MHz	-1.028 dB
3:	603.333MHz	-1.099 dB
4:	530.000MHz	-30.667 dB
5:	630.000MHz	-30.508 dB