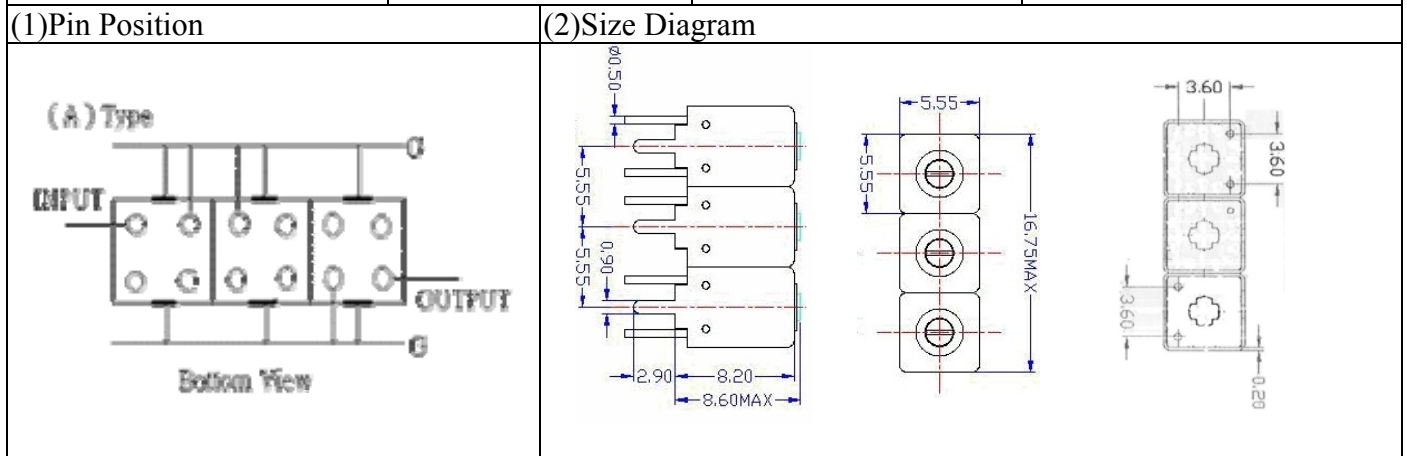


# VHF UHF Helical Filter Specification Sheet

Customer Name		Temwell's Part No.	TTW3445A-470M
Approval No. /dated		Temwell's Print Name.	3445A 470M
Work Instruction No.	201406068CD	Date	Jul.04.2014



### (3)Electric Chararistic

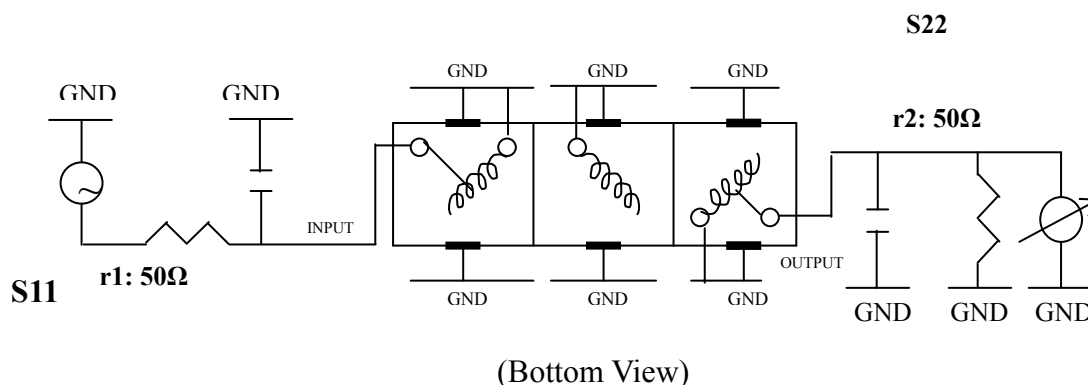
Item	Specify	Performance
Center Freq.(Fo) +/- 0.5 %	470 MHz	470 MHz
Insertion Loss	Typ 3.0 dB	2.15 dB
-3 dB Bandwidth	Typ. 19 MHz	23.4 MHz
Sensitivity (Attenuation)	Fo - 50 MHz	Typ. 38 dBc
	Fo + 50 MHz	Typ. 31 dBc
	Fo - ( )MHz	Typ. dBc
	Fo +( )MHz	Typ. dBc
Return Loss	Min. 12 dB	24.4 dB
Ripple	< 1 dB	dB
Impedance	In / Out : 50Ω	In / Out :50 Ω
(4)Torque for Tuning Screw	> 60gf • cm	

### (5)Temperature Condition:

Operating Temperature	0°C ~ +60°C
Storage Temperature	-20°C ~ +70°C

### (6)Input Power

(7)Measuring Circuit: ※Easy to match Impedance S11/S22 50Ω by parallel with about(- -).

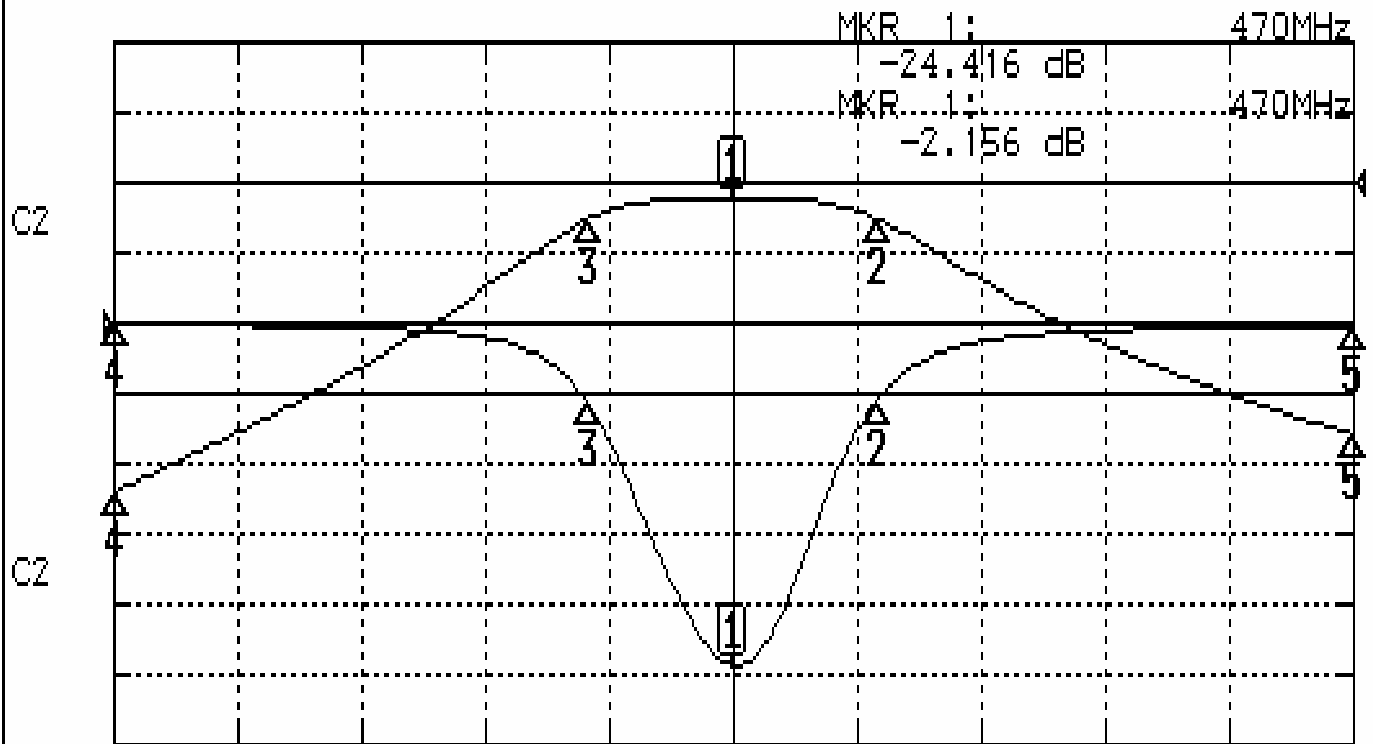


Approval C.Y.Chang	Supervisor C.K.Chang	Designer M.Y,Kang	Aperture size 5W3S(3.8*4.5)(4.58) 5HW024RB3
-----------------------	-------------------------	----------------------	---

# Performance-TTW3445A-470M

## 201406068CD

CH1 S11 LOG MAG REF 0.000 dB 5.000 dB/  
CH2 S21 LOG MAG REF 0.000 dB 10.000 dB/



CENTER 470MHz

[ 10.00 dBm ]

SPAN 100MHz

### CH1 MARKER LIST

Marker	Frequency (MHz)	Magnitude (dB)
1	470.000	-24.416
2	481.666	-5.456
3	458.250	-5.646
4	420.000	-0.074
5	520.000	-0.181

### CH2 MARKER LIST

Marker	Frequency (MHz)	Magnitude (dB)
1	470.000	-2.151
2	481.666	-5.156
3	458.250	-5.120
4	420.000	-43.965
5	520.000	-35.741