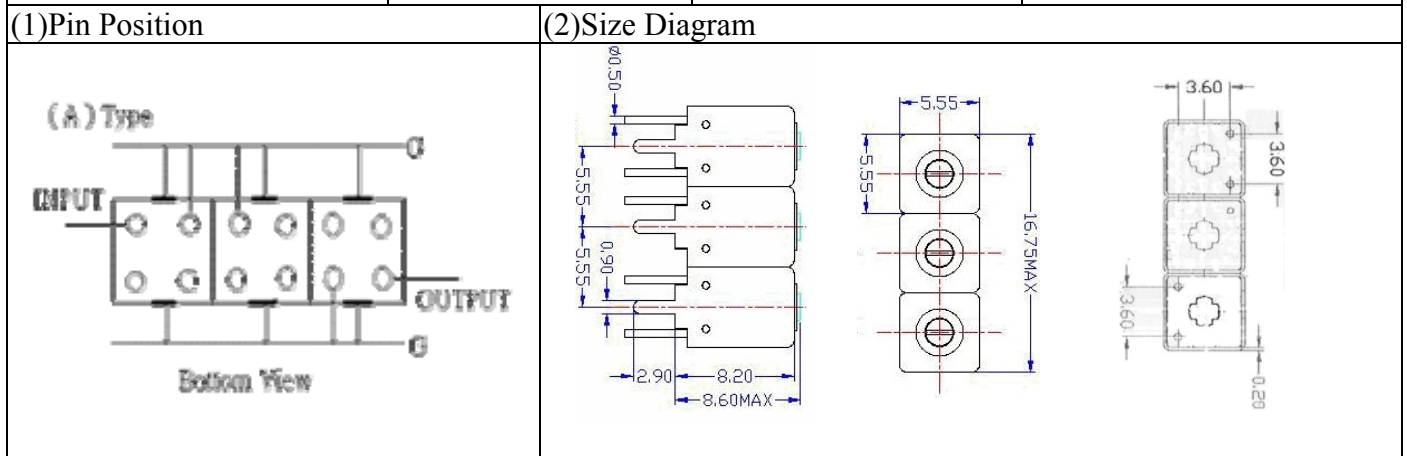


# VHF UHF Helical Filter Specification Sheet

Customer Name		Temwell's Part No.	TTW3439A-480M
Approval No. /dated		Temwell's Print Name.	3439A 480M
Work Instruction No.	201406067CD	Date	Jul.03.2014



### (3) Electric Chararistic

Item	Specify	Performance
Center Freq.(Fo) +/- 0.5 %	480 MHz	480 MHz
Insertion Loss	Typ 3.0 dB	2.16 dB
-3 dB Bandwidth	Typ. 21 MHz	25.2 MHz
Sensitivity (Attenuation)	Fo - 50 MHz	Typ. 34 dBc
	Fo + 50 MHz	Typ. 30 dBc
	Fo - ( )MHz	Typ. dBc
	Fo +( )MHz	Typ. dBc
Return Loss	Min. 12 dB	36.7 dB
Ripple	< 1 dB	
Impedance	In / Out : 50Ω	In / Out :50 Ω

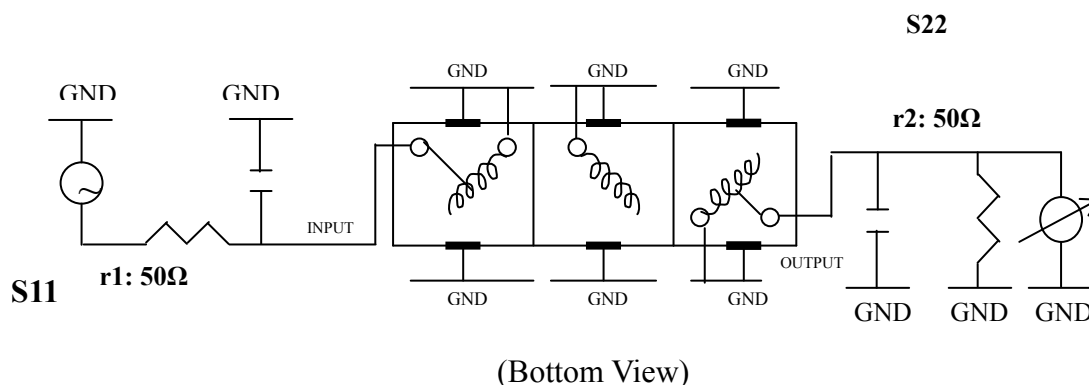
(4) Torque for Tuning Screw > 60gf • cm

### (5) Temperature Condition:

Operating Temperature	0°C ~ +60°C
Storage Temperature	-20°C ~ +70°C

(6) Input Power >0.5Watt

(7) Measuring Circuit: ※Easy to match Impedance S11/S22 50Ω by parallel with about(- -).

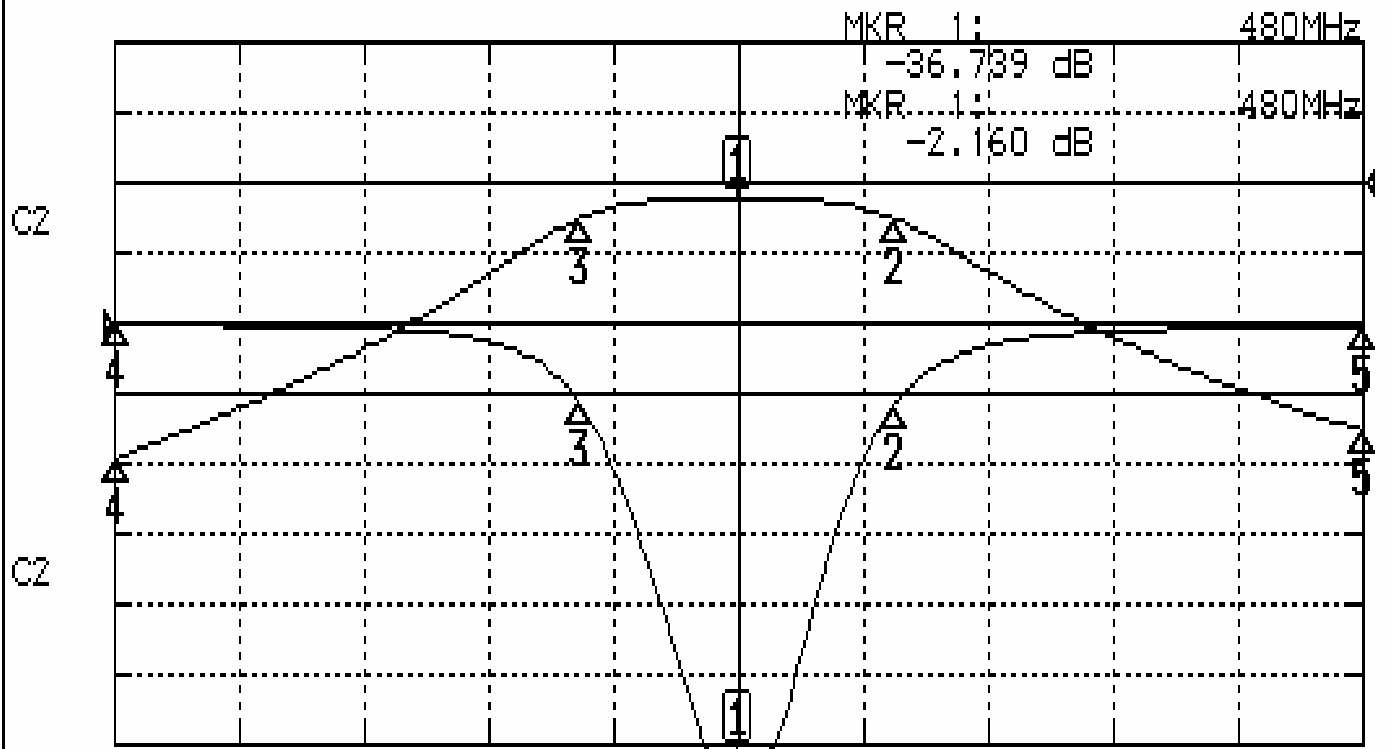


Approval C.Y.Chang	Supervisor C.K.Chang	Designer M.Y.Kang	Aperture size 5W3S(3.8*4.5)(4.58) 5HW024RB3
-----------------------	-------------------------	----------------------	---

# Performance-TTW3439A-480M

## 201406067CD

CH1 S11 LOG MAG REF 0.000 dB 5.000 dB/  
CH2 S21 LOG MAG REF 0.000 dB 10.000 dB/



CENTER 480MHz

[ 10.00 dBm ]

SPAN 100MHz

### CH1 MARKER LIST

Marker	Frequency (MHz)	Magnitude (dB)
1	480.000	-36.739
2	492.500	-15.932
3	467.250	-15.657
4	430.000	-0.078
5	530.000	-0.219

### CH2 MARKER LIST

Marker	Frequency (MHz)	Magnitude (dB)
1	480.000	-2.160
2	492.500	-15.140
3	467.250	-15.144
4	430.000	-39.212
5	530.000	-35.226