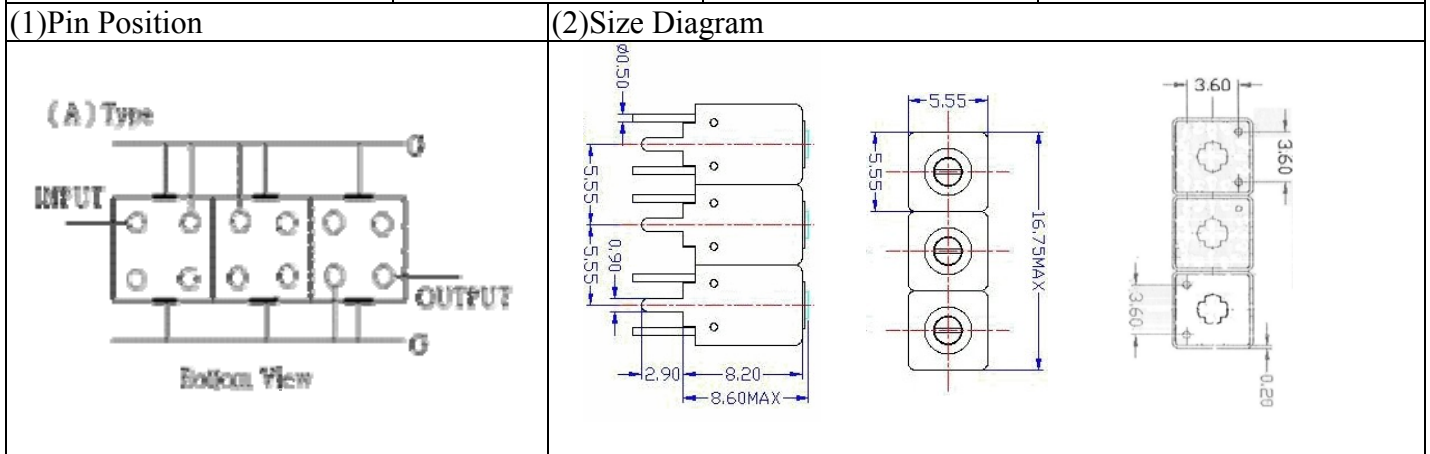


# VHF UHF Helical Filter Specification Sheet

Customer Name		Temwell's Part No.	TTW3437A-440M
Approval No. /dated		Temwell's Print Name.	3437A 440M
Work Instruction No.	201406074CD	Date	Jul.03.2014



(3) Electric Characteristic

Item	Specify	Performance
Center Freq.(Fo ) +/- 0.5 %	440 MHz	440 MHz
Insertion Loss	Typ 3.5 dB	2.77 dB
-3 dB Bandwidth	Typ. 17 MHz	21.0 MHz
Sensitivity (Attenuation )	Fo - 50 MHz	Typ. 41 dBc
	Fo + 50 MHz	Typ. 31 dBc
	Fo - ( )MHz	Typ. dBc
	Fo +( )MHz	Typ. dBc
Return Loss	Min. 12 dB	32.0 dB
Ripple	< 1 dB	dB
Impedance	In / Out : 50Ω	In / Out :50 Ω

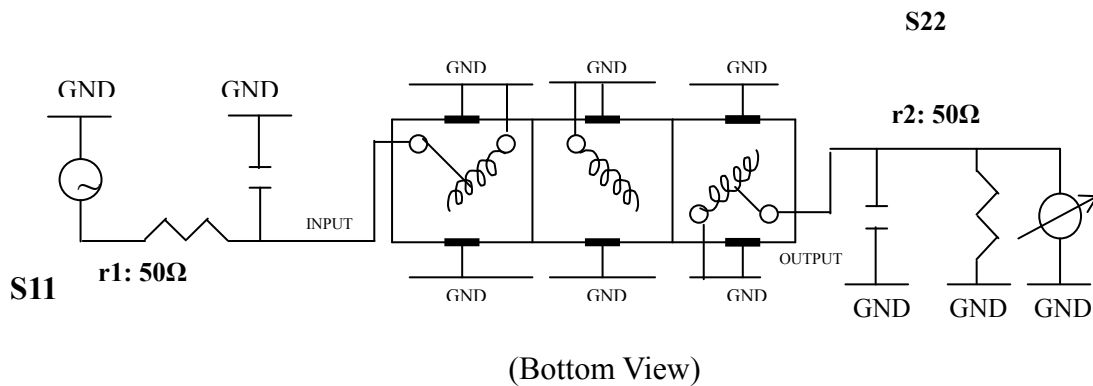
(4) Torque for Tuning Screw > 60gf · cm

(5) Temperature Condition:

Operating Temperature	0°C ~ +60°C
Storage Temperature	-20°C ~ +70°C

(6) Input Power >0.5Watt

(7) Measuring Circuit: ※Easy to match Impedance S11/S22 50Ω by parallel with about(- -).



Approval C.Y.Chang	Supervisor C.K.Chang	Designer C.S.Chang	Aperture size 5W3S(3.8*4.5)(4.56) 5HW024RB3
-----------------------	-------------------------	-----------------------	---

TEMWELL CORPORATION

# Performance-TTW3437A-440M

## 201406074CD

