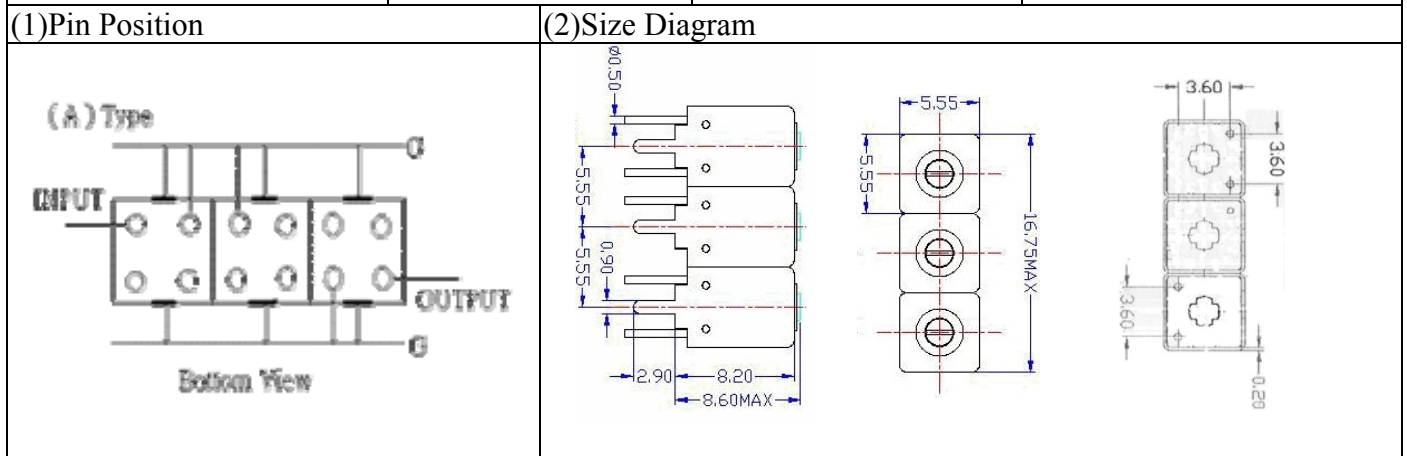


# VHF UHF Helical Filter Specification Sheet

Customer Name		Temwell's Part No.	TTW3436A-400M
Approval No. /dated	201406078CD	Temwell's Print Name.	3436A 400M
Work Instruction No.	201406078CD	Date	Jul.04.2014



### (3) Electric Chararistic

Item	Specify	Performance	
Center Freq.(Fo) +/- 0.5 %	400 MHz	400 MHz	
Insertion Loss	Typ 3.5 dB	2.61 dB	
-3 dB Bandwidth	Typ. 18 MHz	21.2 MHz	
Sensitivity (Attenuation)	Fo - 50 MHz	Typ. 45 dBc	48 dBc
	Fo + 50MHz	Typ. 35 dBc	38 dBc
	Fo - ( )MHz	Typ. dBc	dBc
	Fo +( )MHz	Typ. dBc	dBc
Return Loss	Min. 12 dB	31.0 dB	
Ripple	< 1 dB	dB	
Impedance	In / Out : 50Ω	In / Out :50 Ω	
(4)Torque for Tuning Screw	> 60gf • cm		

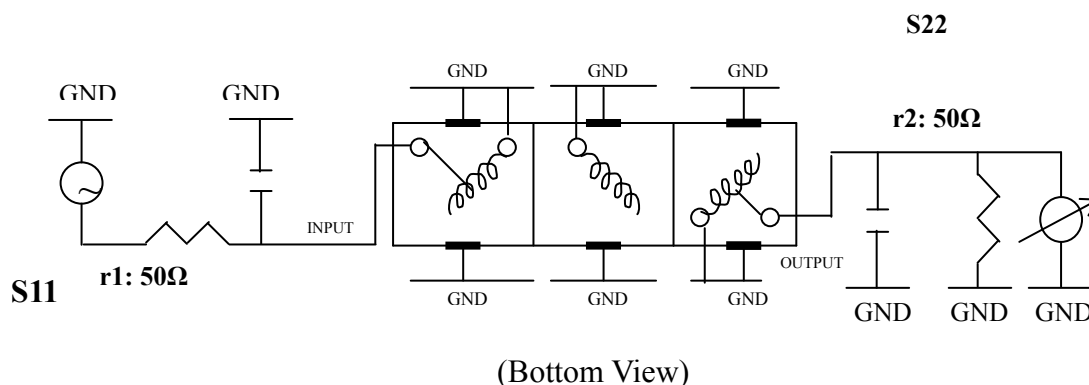
### (5)Temperature Condition:

Operating Temperature	0°C ~ +60°C
Storage Temperature	-20°C ~ +70°C

### (6)Input Power

>0.5Watt

### (7)Measuring Circuit: ※Easy to match Impedance S11/S22 50Ω by parallel with about(- -).



Approval	Supervisor	Designer	Aperture size
C.Y.Chang	C.K.Chang	C.Ko.Chang	5W3S(3.8*4.5)(4.58) 5HW024RB3

TEMWELL CORPORATION

TEMWELL

Form10-5W3A Vision D

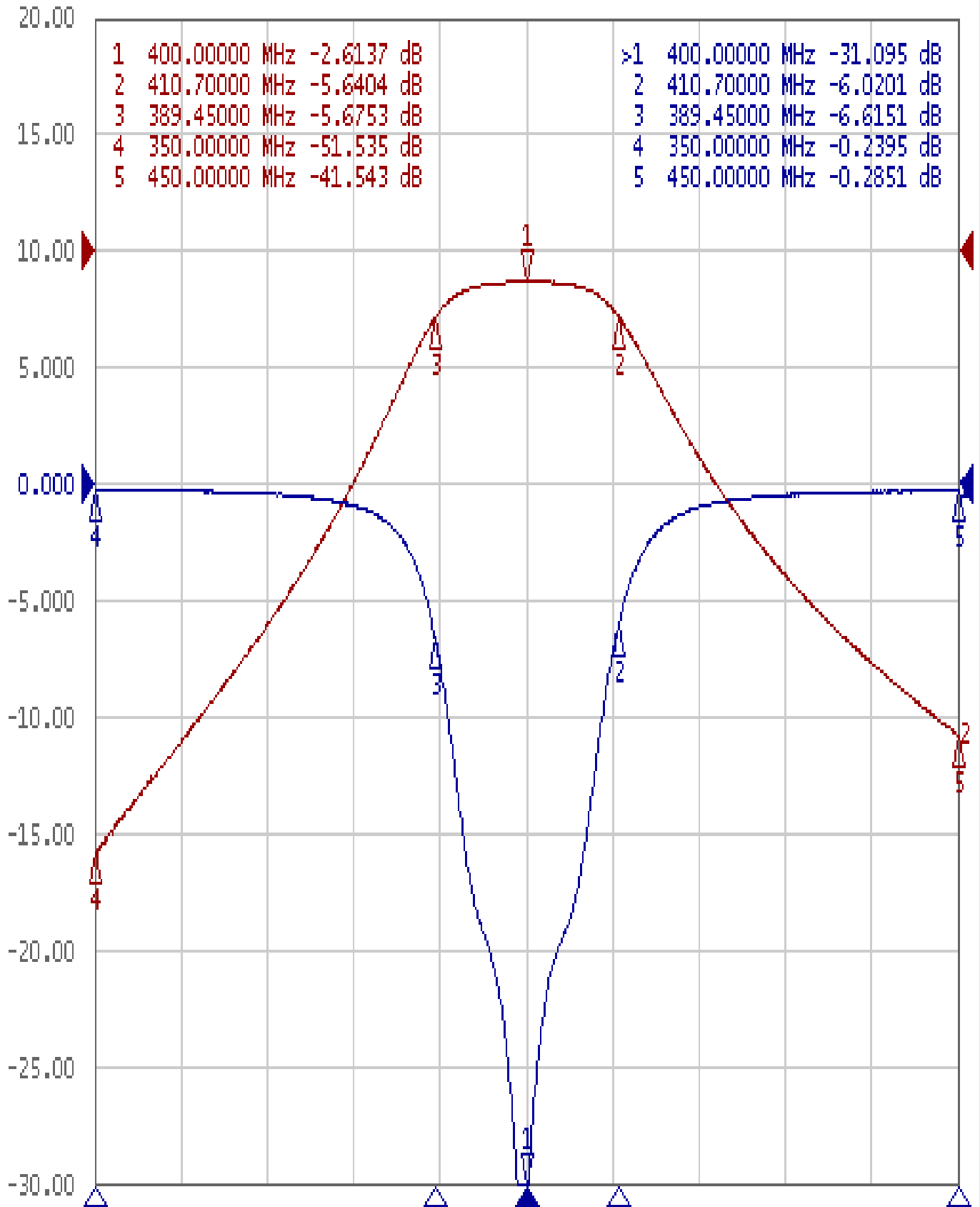
RP(C.Ko)

# Performance-TTW3436A-400M

## 201406078CD

Tr1 S11 Log Mag 5.000dB/ Ref 0.000dB [F2]

Tr2 S21 Log Mag 10.00dB/ Ref 0.000dB [F2]



1 Center 400 MHz

IFBW 70 kHz

Span 100 MHz

Cor !