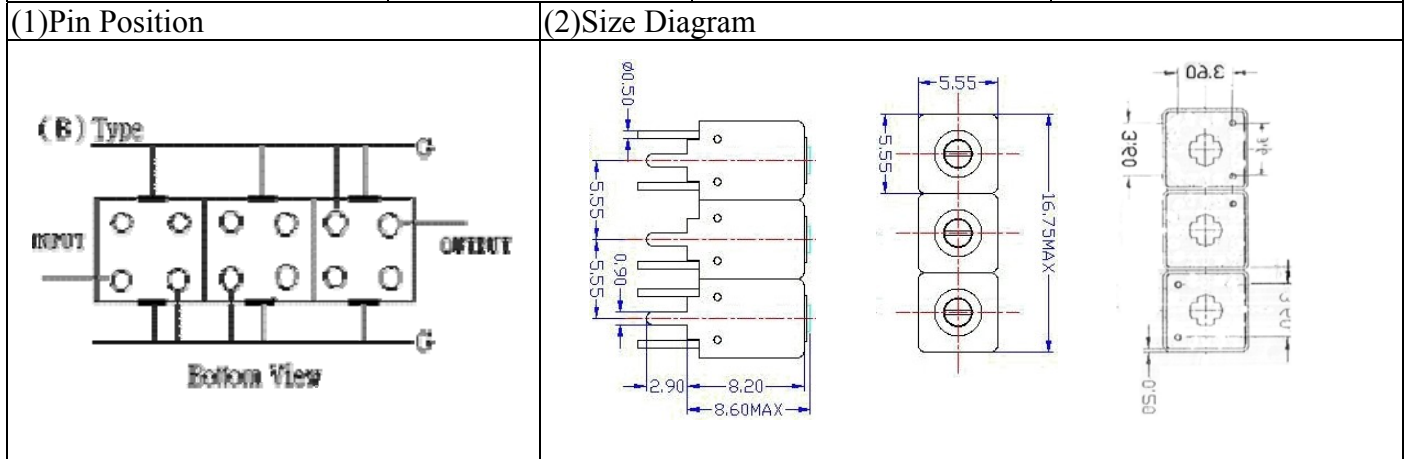


VHF UHF Helical Filter Specification Sheet

Customer Name		Temwell's Part No.	TTW3435B-440M
Approval No. /dated	0904030CD	Temwell's Print Name.	3435B 440M
Work Instruction No.	200904030CD	Date	MAY.05.2009



(3) Electric Character

Item	Specify	Performance	
Center Freq.(Fo) +/- 0.5 %	440 MHz	440 MHz	
Tunable Range:	440±5 MHz	440±5 MHz	
Insertion Loss	Typ. 5.0 dB	3.63 dB	
-3 dB Bandwidth	Typ. 10 MHz	12.8 MHz	
Sensitivity (Attenuation)	Fo - 20 MHz	Typ. 28 dBc	31 dBc
	Fo + 20 MHz	Typ. 20 dBc	23 dBc
	Fo - ()MHz	Typ. dBc	dBc
	Fo +()MHz	Typ. dBc	dBc
Return Loss	Min. 12 dB	26.4 dB	
Ripple	< 1 dB	dB	
Impedance	In / Out : 50 Ω	In / Out : 50 Ω	

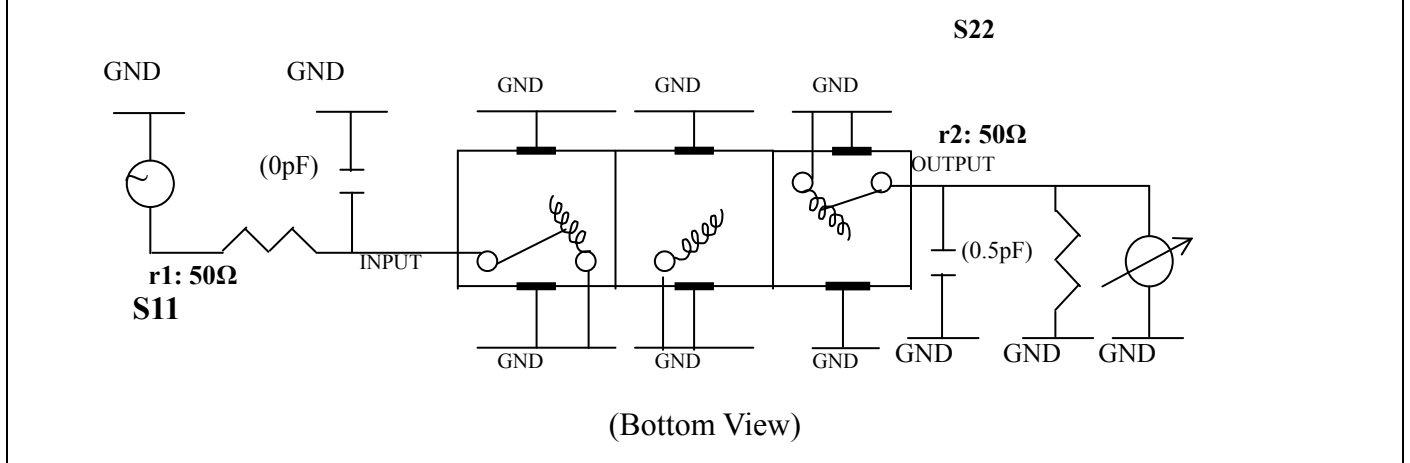
(4) Torque for Tuning Screw > 100gf · cm

(5) Temperature Condition:

Operating Temperature	0°C ~ +60°C
Storage Temperature	-20°C ~ +70°C

(6) Input Power > 0.5Watt

(7) Measuring Circuit: ※Easy to match Impedance S11/S22 50Ω by parallel with about(0pF) / (0.5pF).



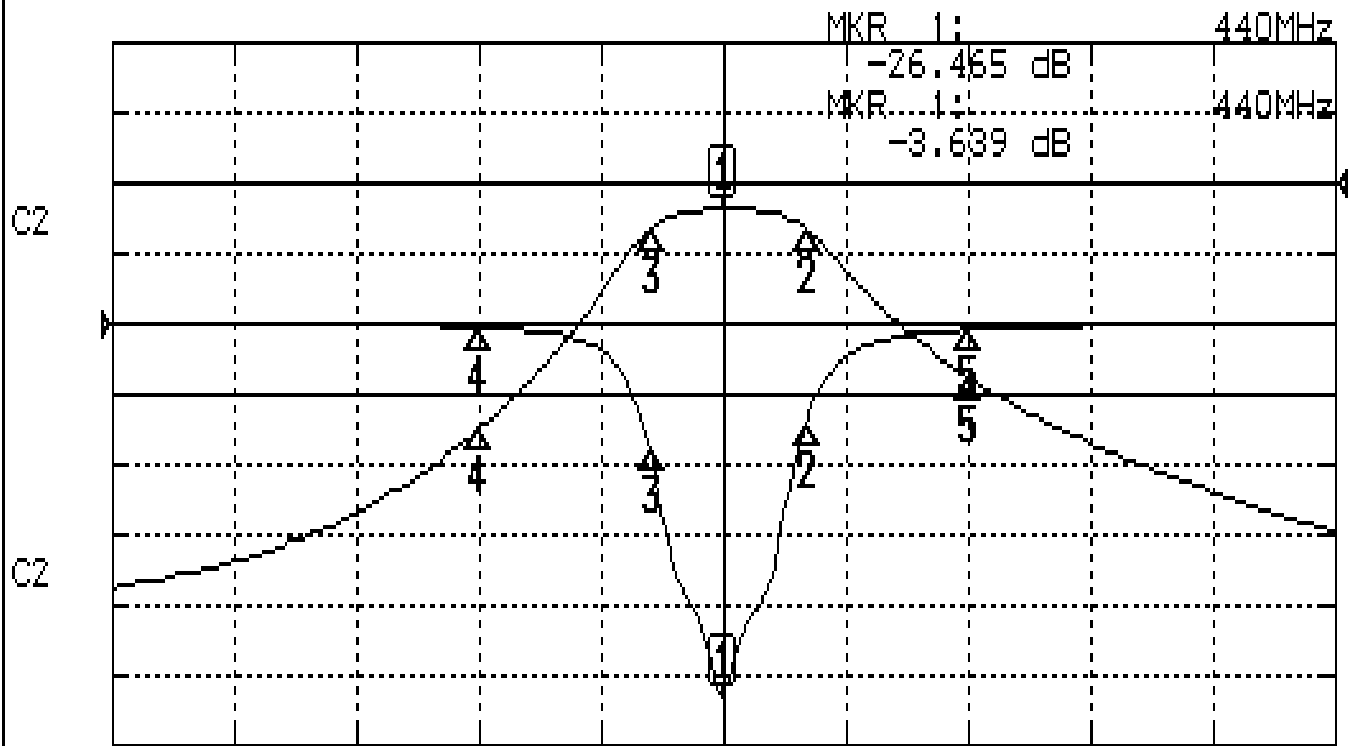
Approval	Supervisor	Designer	Aperture size
C.Y.Chang	C.K.Chang	J.F.Lin	5W3(3.8*3.5)(3.56) 5HW024RB3

TEMWELL CORPORATION

Performance-TTW3435B-440M

200904030CD

CH1	S11	LOG MAG	REF	0.000 dB	5.000 dB/
CH2	S21	LOG MAG	REF	0.000 dB	10.000 dB/



CENTER 440MHz

[10.00 dBm]

SPAN 100MHz

CH1 MARKER LIST

1	440.000MHz	-26.465	dB
2	446.833MHz	-6.889	dB
3	434.000MHz	-8.844	dB
4	420.000MHz	-0.232	dB
5	460.000MHz	-0.397	dB

CH2 MARKER LIST

1	440.000MHz	-3.639	dB
2	446.833MHz	-6.614	dB
3	434.000MHz	-6.580	dB
4	420.000MHz	-34.984	dB
5	460.000MHz	-27.549	dB