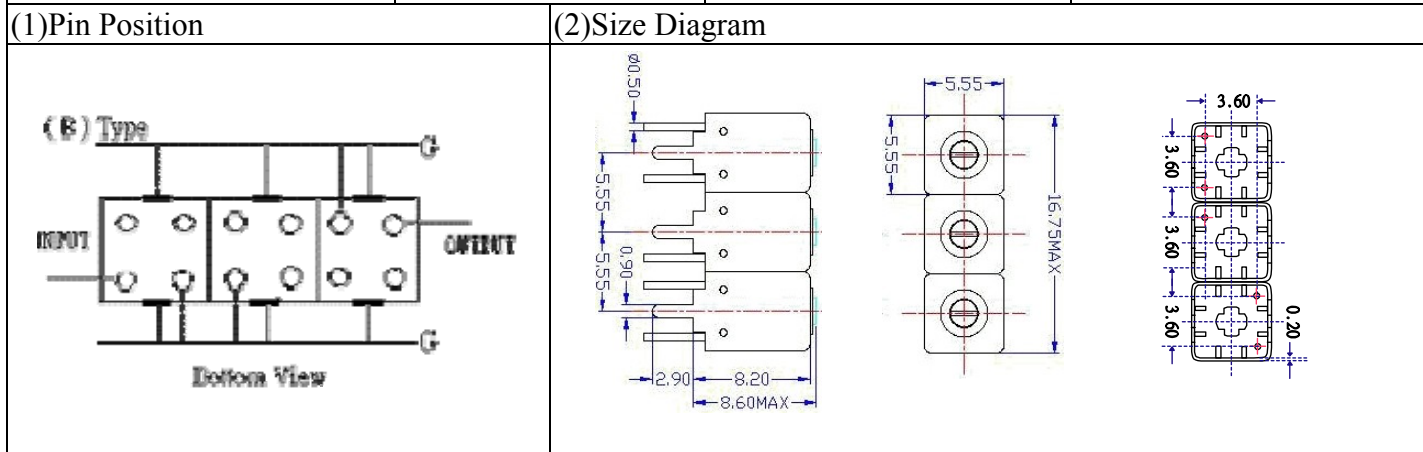


# VHF UHF Helical Filter Specification Sheet

Customer Name		Temwell's Part No.	TTW3434B-420M
Approval No. /dated	201406077CD	Temwell's Print Name.	3434B 420M
Work Instruction No.	201406077CD	Date	Jul.04.2014



(3) Electric Character

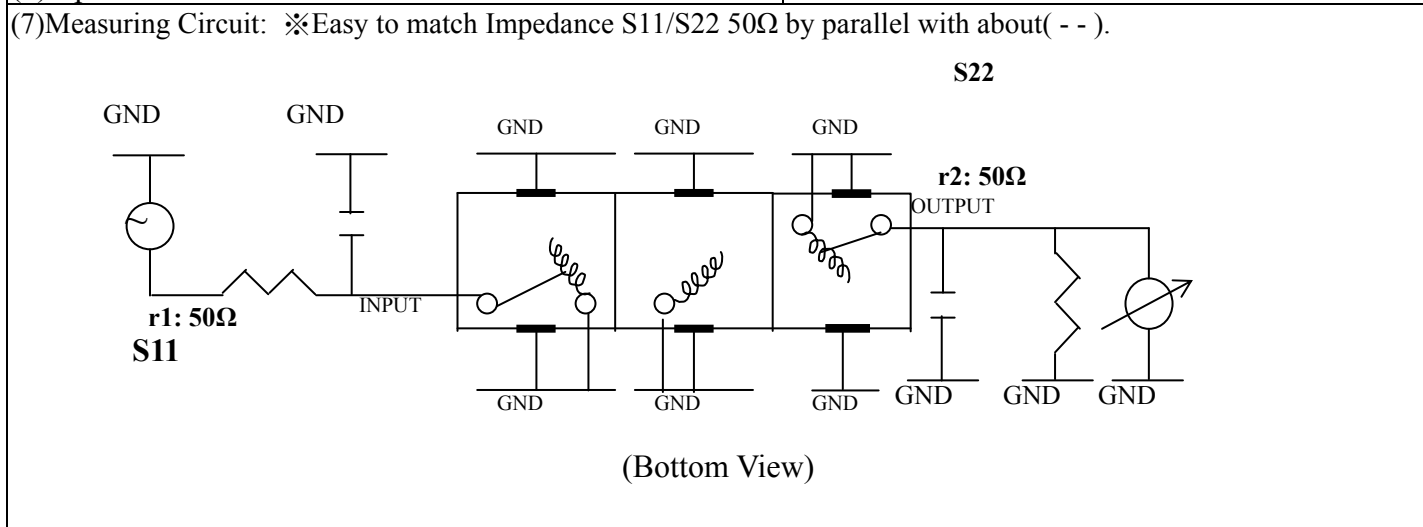
Item	Specify	Performance
Center Freq.(Fo) +/- 0.5 %	420 MHz	420 MHz
Insertion Loss	Typ. 6.5 dB	5.48 dB
-3 dB Bandwidth	Typ. 5 MHz	9.1 MHz
Sensitivity (Attenuation)	Fo - 50 MHz	Typ. 50 dBc
	Fo + 50 MHz	Typ. 56 dBc
	Fo - ( )MHz	Typ. dBc
	Fo + ( )MHz	Typ. dBc
Return Loss	Min. 12 dB	17.8 dB
Ripple	< 1 dB	dB
Impedance	In / Out : 50 Ω	In / Out : 50 Ω

(4) Torque for Tuning Screw > 60gf · cm

(5) Temperature Condition:

Operating Temperature	0°C ~ +60°C
Storage Temperature	-20°C ~ +70°C

(6) Input Power > 0.5Watt



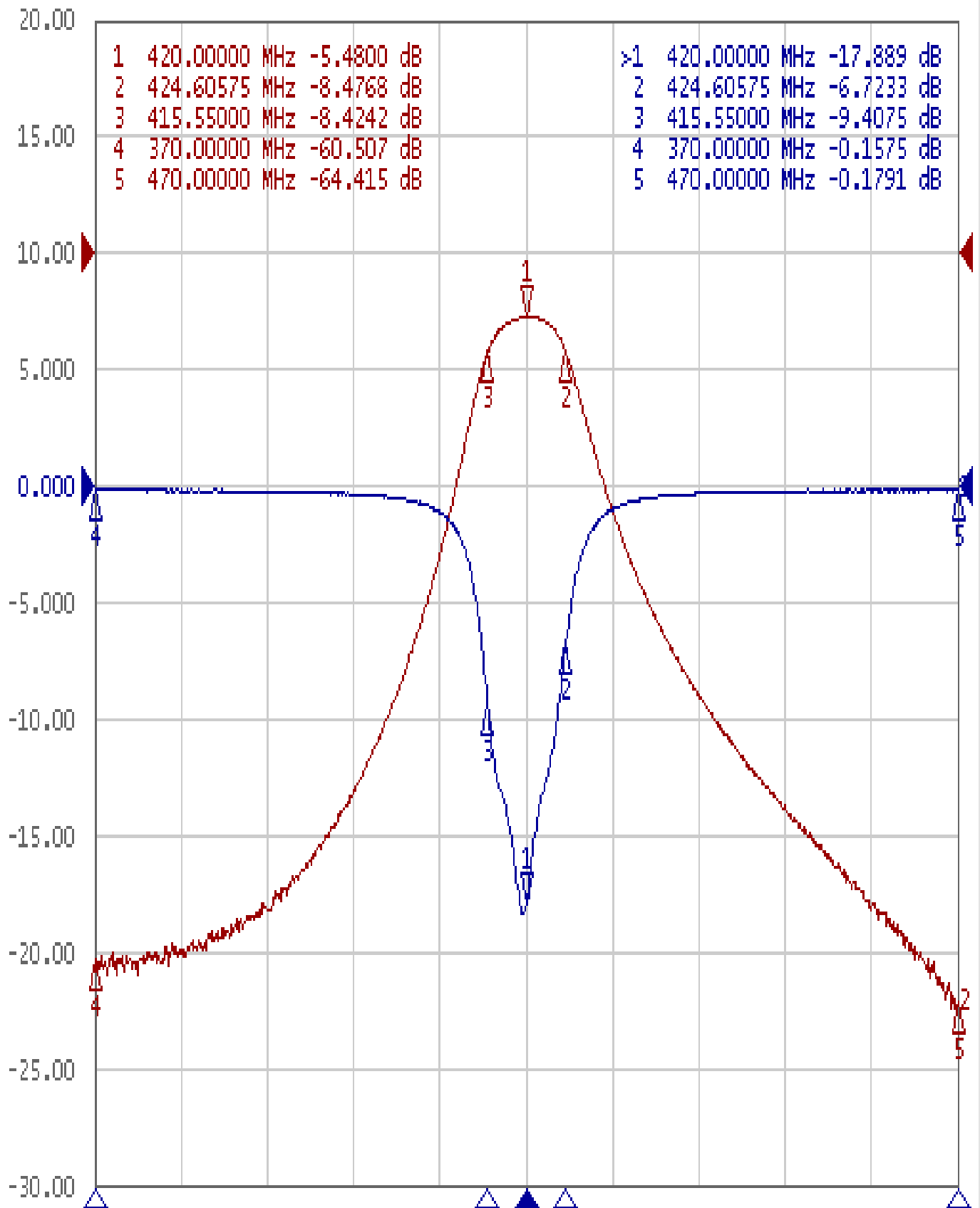
Approval	Supervisor	Designer	Aperture size
C.Y.Chang	C.K.Chang	C.Ko.Chang	5W3S(3.8*3.5)(3.59) 5HW024RB3

TEMWELL CORPORATION

# Performance-TTW3434B-420M

## 201406077CD

▶ Tr1 S11 Log Mag 5.000dB/ Ref 0.000dB [F2]  
Tr2 S21 Log Mag 10.00dB/ Ref 0.000dB [F2]



1 Center 420 MHz

IFBW 70 kHz

Span 100 MHz

Cor !