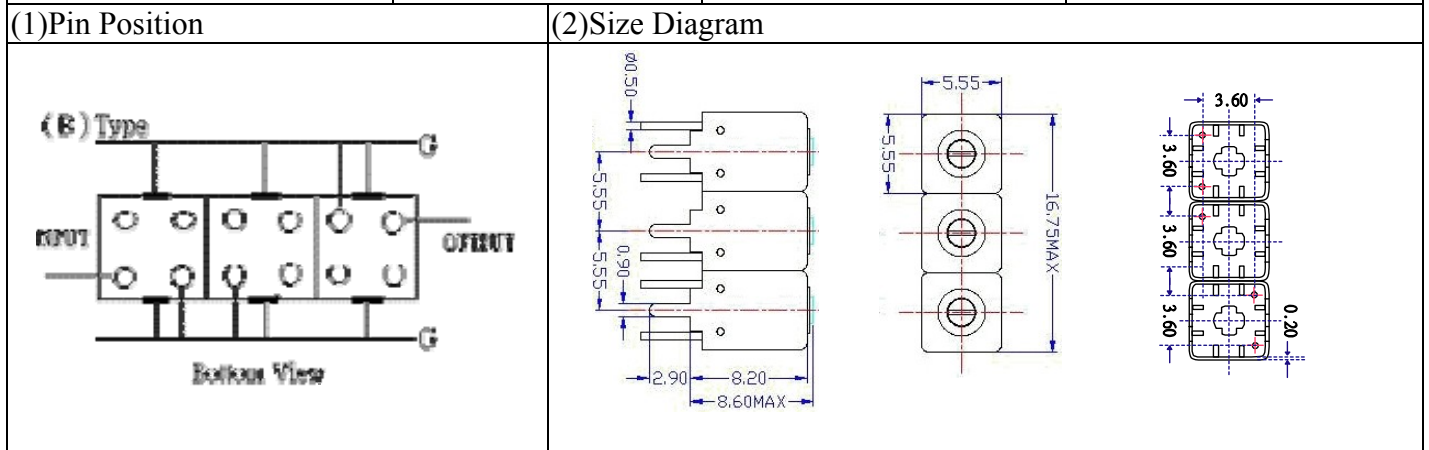


# VHF UHF Helical Filter Specification Sheet

Customer Name		Temwell's Part No.	TTW3431B-460M
Approval No. /dated	201406071CD	Temwell's Print Name.	3431B 460M
Work Instruction No.	201406071CD	Date	Jul.09.2014



(3) Electric Character

Item	Specify	Performance
Center Freq.(Fo) +/- 0.5 %	460 MHz	460 MHz
Insertion Loss	Typ. 6.0 dB	5.01 dB
-3 dB Bandwidth	Typ. 7 MHz	10.5 MHz
Sensitivity (Attenuation)	Fo - 50 MHz	Typ. 52 dBc
	Fo + 50 MHz	Typ. 46 dBc
	Fo - ( )MHz	Typ. dBc
	Fo + ( )MHz	Typ. dBc
Return Loss	Min. 12 dB	19.4 dB
Ripple	< 1 dB	dB
Impedance	In / Out : 50 Ω	In / Out : 50 Ω

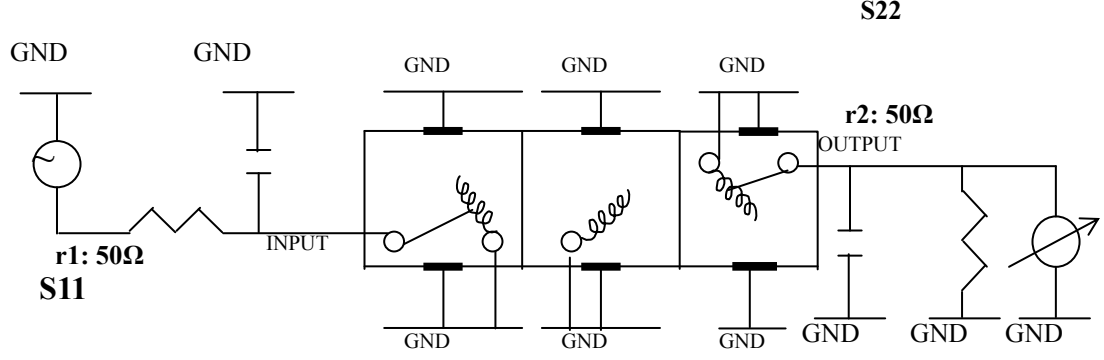
(4) Torque for Tuning Screw > 60gf • cm

(5) Temperature Condition:

Operating Temperature	0°C ~ +60°C
Storage Temperature	-20°C ~ +70°C

(6) Input Power > 0.5Watt

(7) Measuring Circuit: ※Easy to match Impedance S11/S22 50Ω by parallel with about(- -).



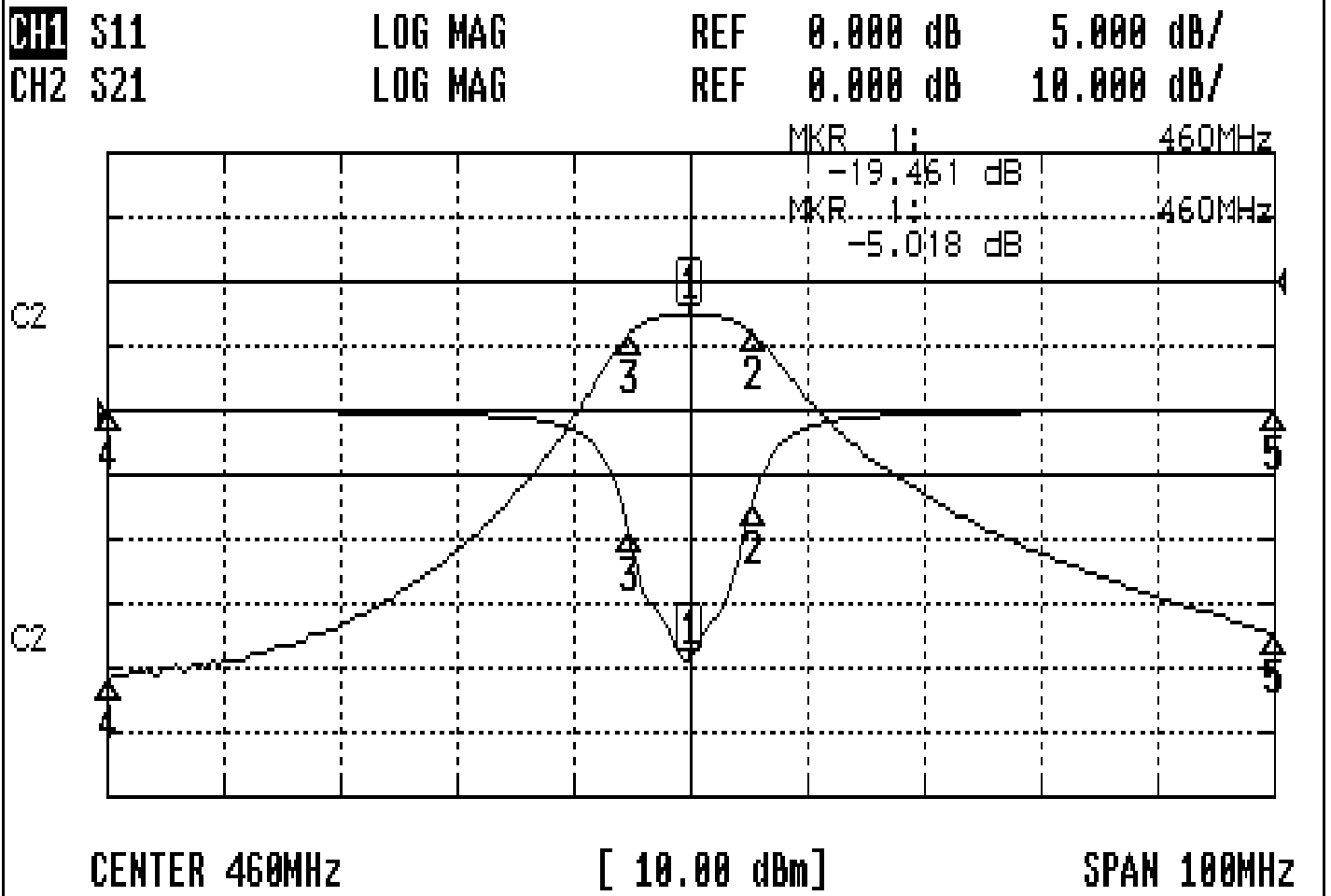
(Bottom View)

Approval C.Y.Chang	Supervisor C.K.Chang	Designer Y.L.Pan	Aperture size 5W3S(3.8*3.5)(3.57) 5HW024RB3
-----------------------	-------------------------	---------------------	---

TEMWELL CORPORATION

# Performance-TTW3431B-460M

## 201406071CD



### CH1 MARKER LIST

1:	460.000MHz	-19.461 dB
2:	465.333MHz	-7.182 dB
3:	454.750MHz	-9.412 dB
4:	410.000MHz	-0.071 dB
5:	510.000MHz	-0.067 dB

10.000~10.000

### CH2 MARKER LIST

1:	460.000MHz	-5.017 dB
2:	465.333MHz	-8.065 dB
3:	454.750MHz	-8.151 dB
4:	410.000MHz	-60.675 dB
5:	510.000MHz	-54.863 dB

10.000~10.000