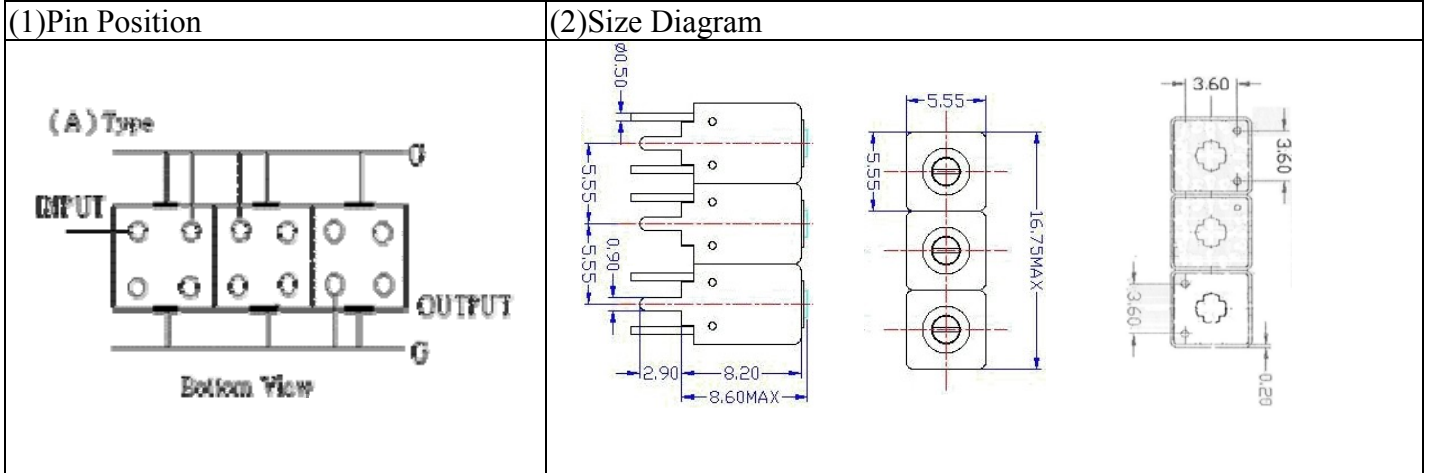
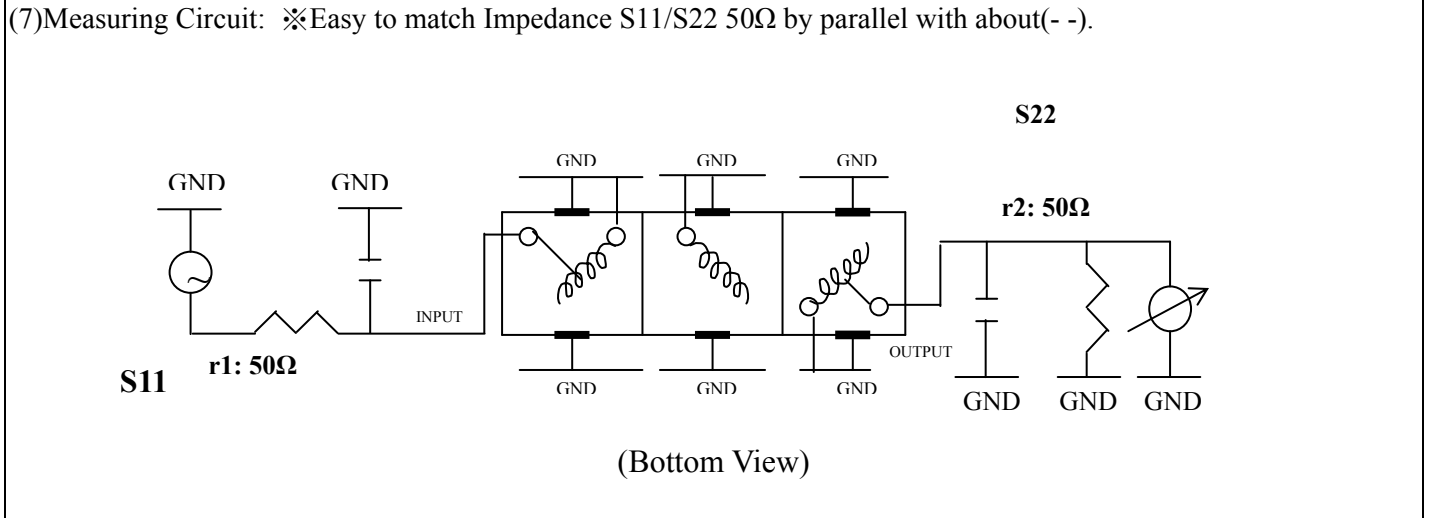


# VHF UHF Helical Filter Specification Sheet

Customer Name		Temwell's Part No.	TTW3424A-440M
Approval No. /dated		Temwell's Print Name.	3424A 440M
Work Instruction No.	201406076CD	Date	Jul.03.2014



(3) Electric Characteristic					
Item		Specify		Performance	
Center Freq.(Fo) +/- 0.5 %		440 MHz		440 MHz	
Insertion Loss		Typ	4.5 dB	3.17 dB	
-3 dB Bandwidth		Typ.	13 MHz	16.2 MHz	
Sensitivity (Attenuation)	Fo - 50 MHz	Typ.	43 dBc	47 dBc	
	Fo + 50 MHz	Typ.	37 dBc	40 dBc	
	Fo - ( )MHz	Typ.	dBc	dBc	
	Fo +( )MHz	Typ.	dBc	dBc	
Return Loss		Min.	12 dB	21.5 dB	
Ripple		< 1 dB		dB	
Impedance		In / Out : 50Ω		In / Out :50 Ω	
(4) Torque for Tuning Screw		> 60gf · cm			
(5) Temperature Condition:					
Operating Temperature		0°C ~ +60°C			
Storage Temperature		-20°C ~ +70°C			
(6) Input Power		>0.5Watt			



Approval	Supervisor	Designer	Aperture size
C.Y.Chang	C.K.Chang	C.S,Chang	5W3S(3.8*4.0)(4.18) 5HW024RB3

TEMWELL CORPORATION

# Performance-TTW3424A-440M

## 201406076CD

Tr1 S11 Log Mag 5.000dB/ Ref 0.000dB [F2]  
Tr2 S21 Log Mag 10.00dB/ Ref 0.000dB [F2]

