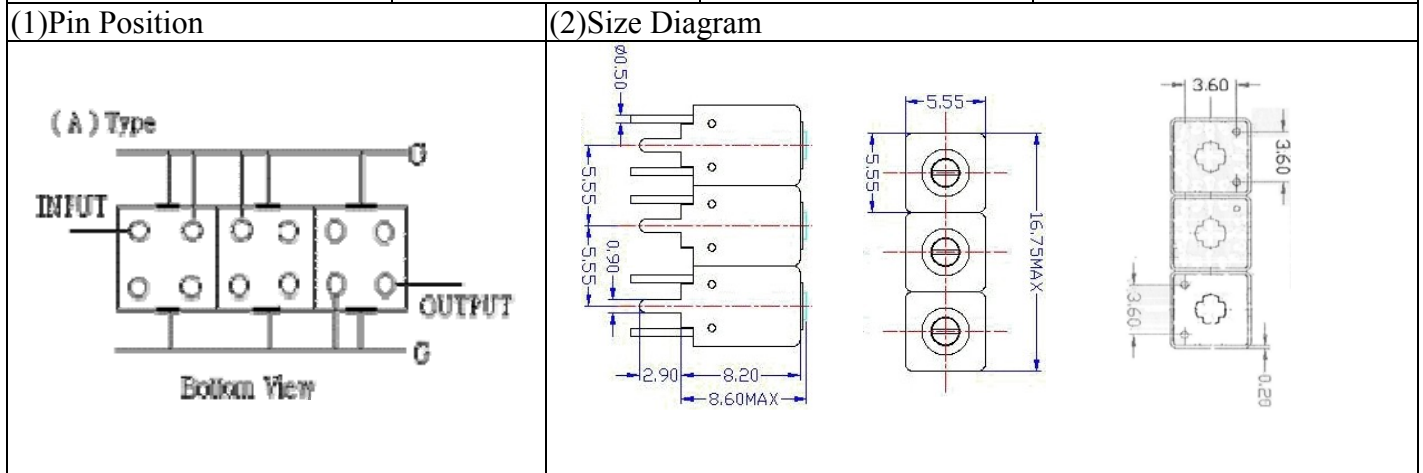


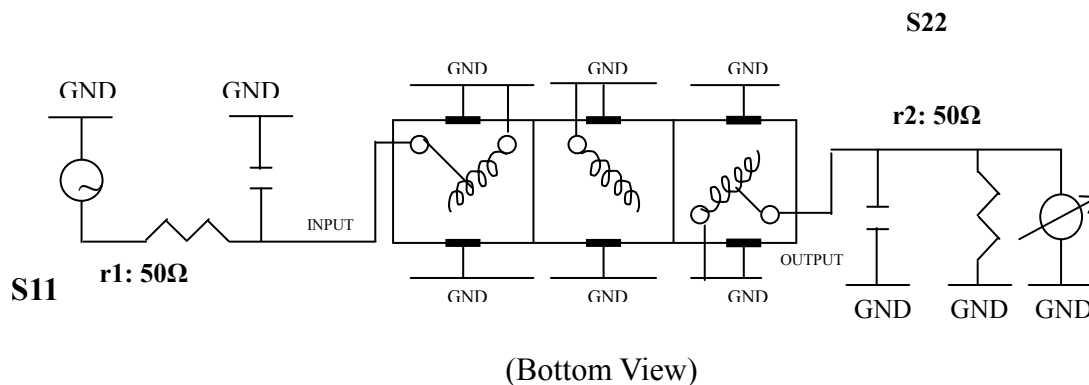
VHF UHF Helical Filter Specification Sheet

Customer Name		Temwell's Part No.	TTW3423A-420M
Approval No. /dated		Temwell's Print Name.	3423A 420M
Work Instruction No.	201406073CD	Date	Jul.04.2014



(3) Electric Characteristic			
Item	Specify	Performance	
Center Freq.(Fo) +/- 0.5 %	420 MHz	420	MHz
Insertion Loss	Typ. 3.0 dB	2.34	dB
-3 dB Bandwidth	Typ. 18 MHz	22.3	MHz
Sensitivity (Attenuation)	Fo - 50 MHz	Typ. 43	dBc
	Fo + 50 MHz	Typ. 36	dBc
	Fo - ()MHz	Typ.	dBc
	Fo + ()MHz	Typ.	dBc
Return Loss	Min. 12 dB	30.8	dB
Ripple	< 1 dB		dB
Impedance	In / Out : 50Ω	In / Out :50 Ω	
(4) Torque for Tuning Screw	> 60gf • cm		
(5) Temperature Condition:			
Operating Temperature	0°C ~ +60°C		
Storage Temperature	-20°C ~ +70°C		
(6) Input Power	> 0.5Watt		

(7) Measuring Circuit: ※Easy to match Impedance S11/S22 50Ω by parallel with about(- -).



Approval	Supervisor	Designer	Aperture size
C.Y.Chang	C.K.Chang	C.S,Chang	5W3S(3.8*4.0)(4.08) 5HW020RB3.5

TEMWELL CORPORATION

Performance-TTW3423A-420M

201406073CD

Tr1 S11 Log Mag 5.000dB/ Ref 0.000dB [F2]
Tr2 S21 Log Mag 10.00dB/ Ref 0.000dB [F2]

