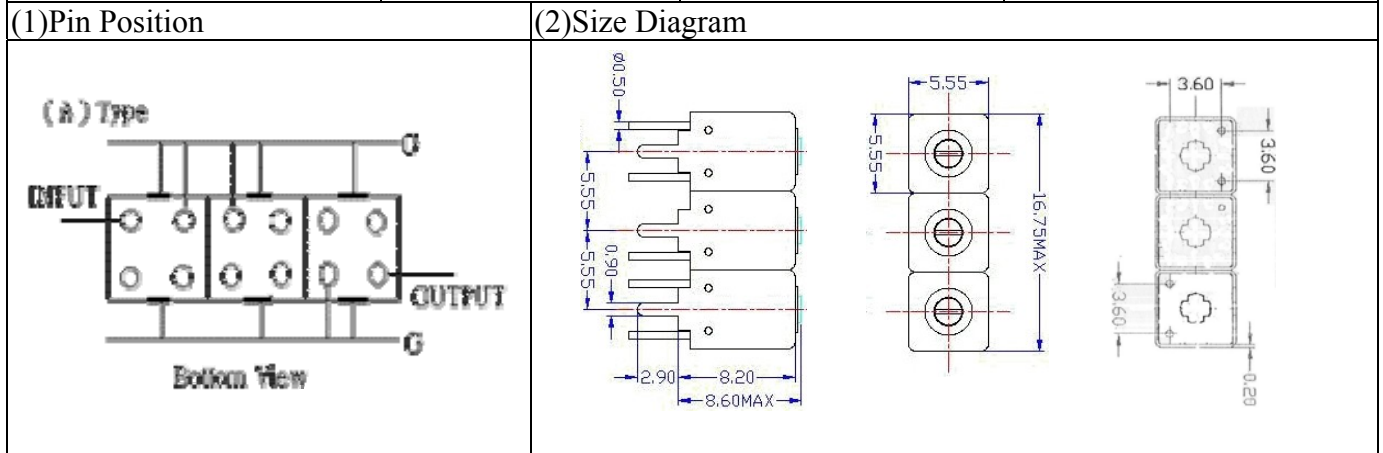


VHF UHF Helical Filter Specification Sheet

Customer Name		Temwell's Part No.	TTW3417A-240M
Approval No. /dated	0904023CD	Temwell's Print Name.	3417A 240M
Work Instruction No.	200904023CD	Date	MAY.04.2009



(3) Electric Characteristic

Item	Specify	Performance	
Center Freq.(Fo) +/- 0.5 %	240 MHz	240 MHz	
Tunable Range:	240±4 MHz	240±4 MHz	
Insertion Loss	Typ. 4.5 dB	3.85 dB	
-3 dB Bandwidth	Typ. 12 MHz	13 MHz	
Sensitivity (Attenuation)	Fo -20 MHz	Typ. 28 dBc	31 dBc
	Fo +20 MHz	Typ. 25 dBc	28 dBc
	Fo - ()MHz	Typ. dBc	dBc
	Fo +()MHz	Typ. dBc	dBc
Return Loss	Min. 12 dB	20.3 dB	
Ripple	< 1 dB	dB	
Impedance	In / Out : 50Ω	In / Out :50Ω	

(4) Torque for Tuning Screw > 100gf · cm

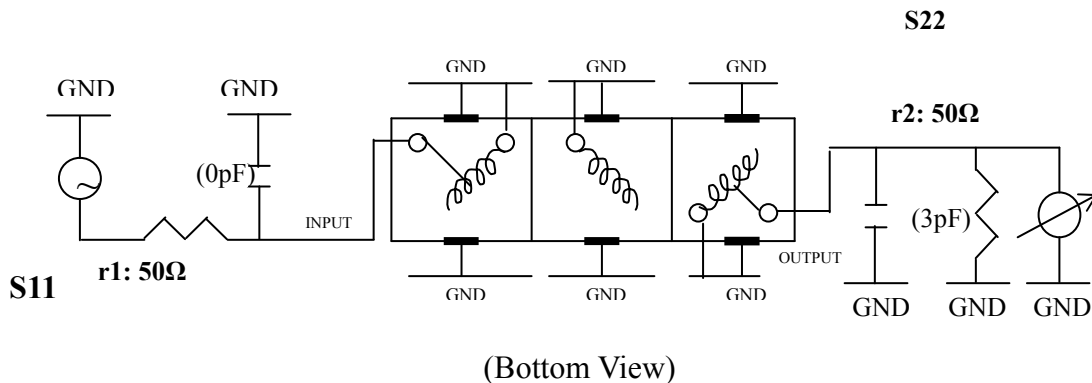
(5) Temperature Condition:

Operating Temperature 0°C ~ +60°C

Storage Temperature -20°C ~ +70°C

(6) Input Power >0.5Watt

(7) Measuring Circuit: ※Easy to match Impedance S11/S22 50Ω by parallel with about(0 pF) / (3 pF).



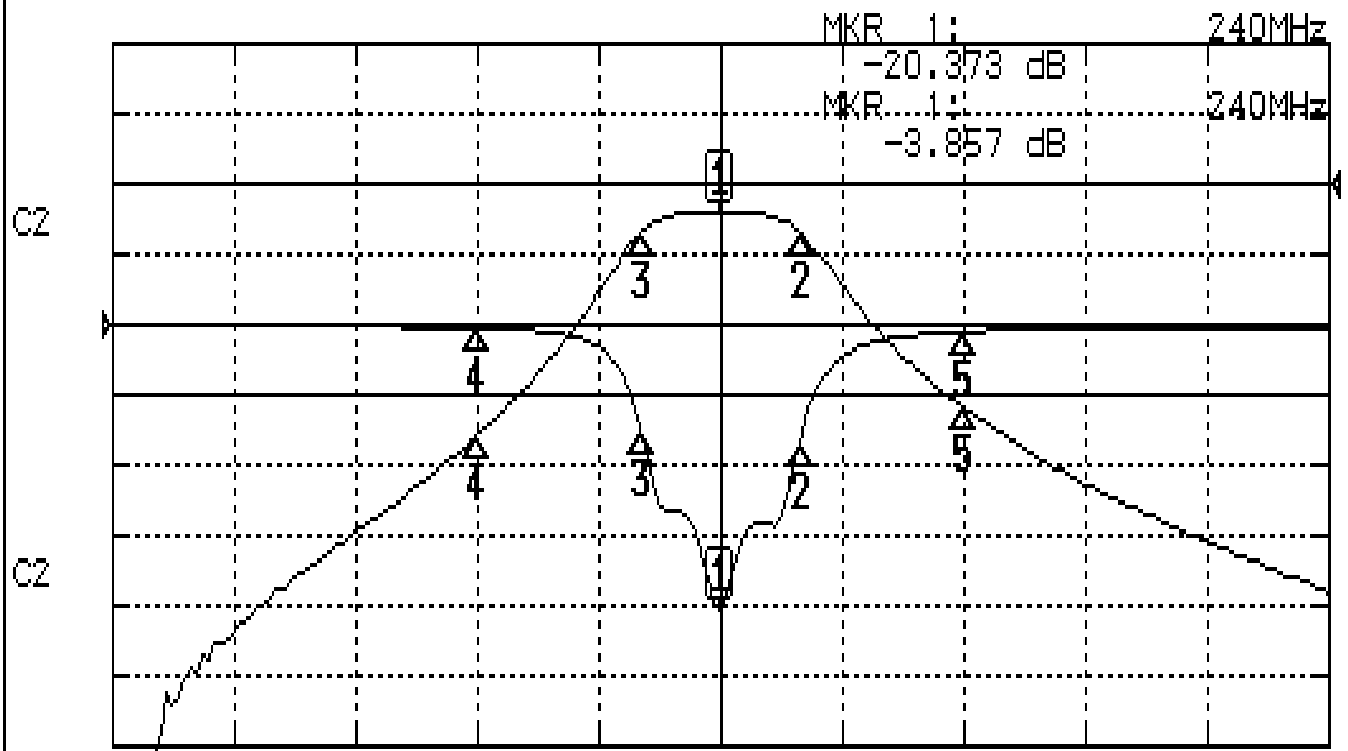
Approval	Supervisor	Designer	Aperture size
C.Y.Chang	C.K.Chang	J.F.Lin	5W3(3.8*4.5)(4.56) 5HW00LB3

TEMWELL CORPORATION

Performance-TTW3417A-240M

200904023CD

CH1 S11 LOG MAG REF 0.000 dB 5.000 dB/
CH2 S21 LOG MAG REF 0.000 dB 10.000 dB/



CENTER 240MHz

[10.00 dBm]

SPAN 100MHz

CH1 MARKER LIST

Marker	Frequency (MHz)	Magnitude (dB)
1	240.000	-20.373
2	246.500	-18.473
3	233.583	-7.649
4	220.000	-0.244
5	260.000	-0.515

CH2 MARKER LIST

Marker	Frequency (MHz)	Magnitude (dB)
1	240.000	-3.857
2	246.500	-6.772
3	233.583	-6.824
4	220.000	-5.743
5	260.000	-1.862