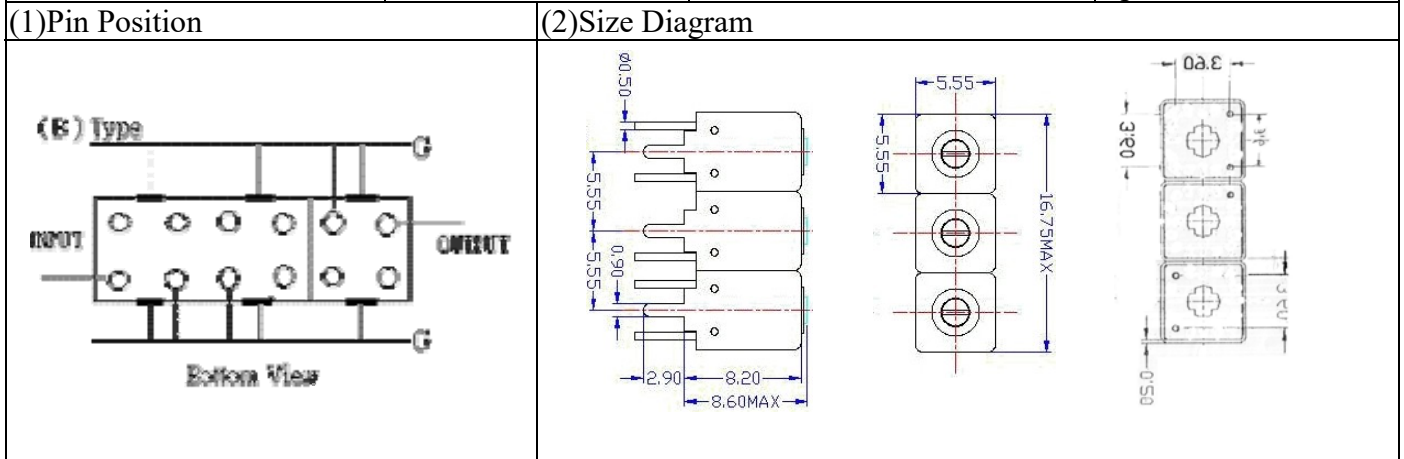


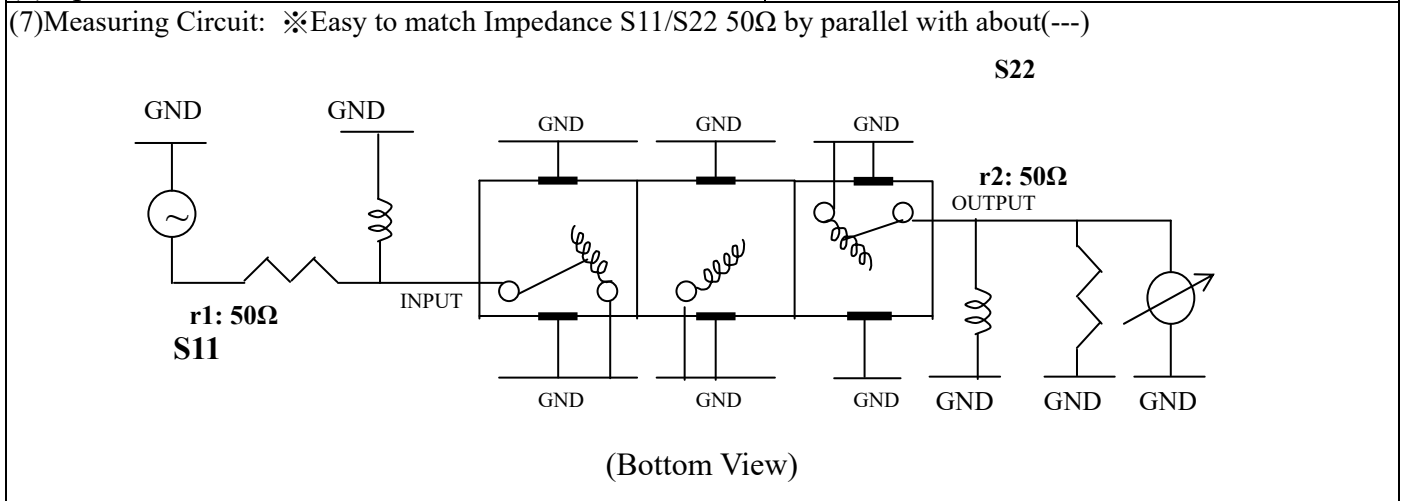
VHF UHF Helical Filter Specification Sheet

| | | | |
|----------------------|-------------|----------------------|-----------------|
| Customer Name | | Temwell's Part No. | TTW31083B-2140M |
| Approval No. /dated | 201902031CD | Temwell's Print Name | 31083B 2140M |
| Work Instruction No. | 201902031CD | Date | Apr.16.2019 |



| (3) Electric Character | | | |
|------------------------------|--------------|-----------------|-----------------|
| Item | | Specify | Performance |
| Center Freq.(Fo) +/- 0.5 % | | 2140 MHz | 2140 MHz |
| Insertion Loss | | Typ. 3.5 dB | 3.13 dB |
| -3 dB Bandwidth | | Typ. 60 MHz | 66.2 MHz |
| Sensitivity (Attenuation) | Fo - 150 MHz | Typ. 35 dBc | 40 dBc |
| | Fo + 150 MHz | Typ. 22 dBc | 27 dBc |
| | Fo - ()MHz | Typ. dBc | dBc |
| | Fo +()MHz | Typ. dBc | dBc |
| Return Loss | | Min. 12 dB | 29.2 dB |
| Ripple | | < 1 dB | dB |
| Impedance | | In / Out : 50 Ω | In / Out : 50 Ω |
| (4) Torque for Tuning Screw | | > 60gf · cm | |

| (5) Temperature Condition: | |
|----------------------------|---------------|
| Operating Temperature | 0°C ~ +60°C |
| Storage Temperature | -20°C ~ +70°C |
| (6) Input Power | > 0.5Watt |



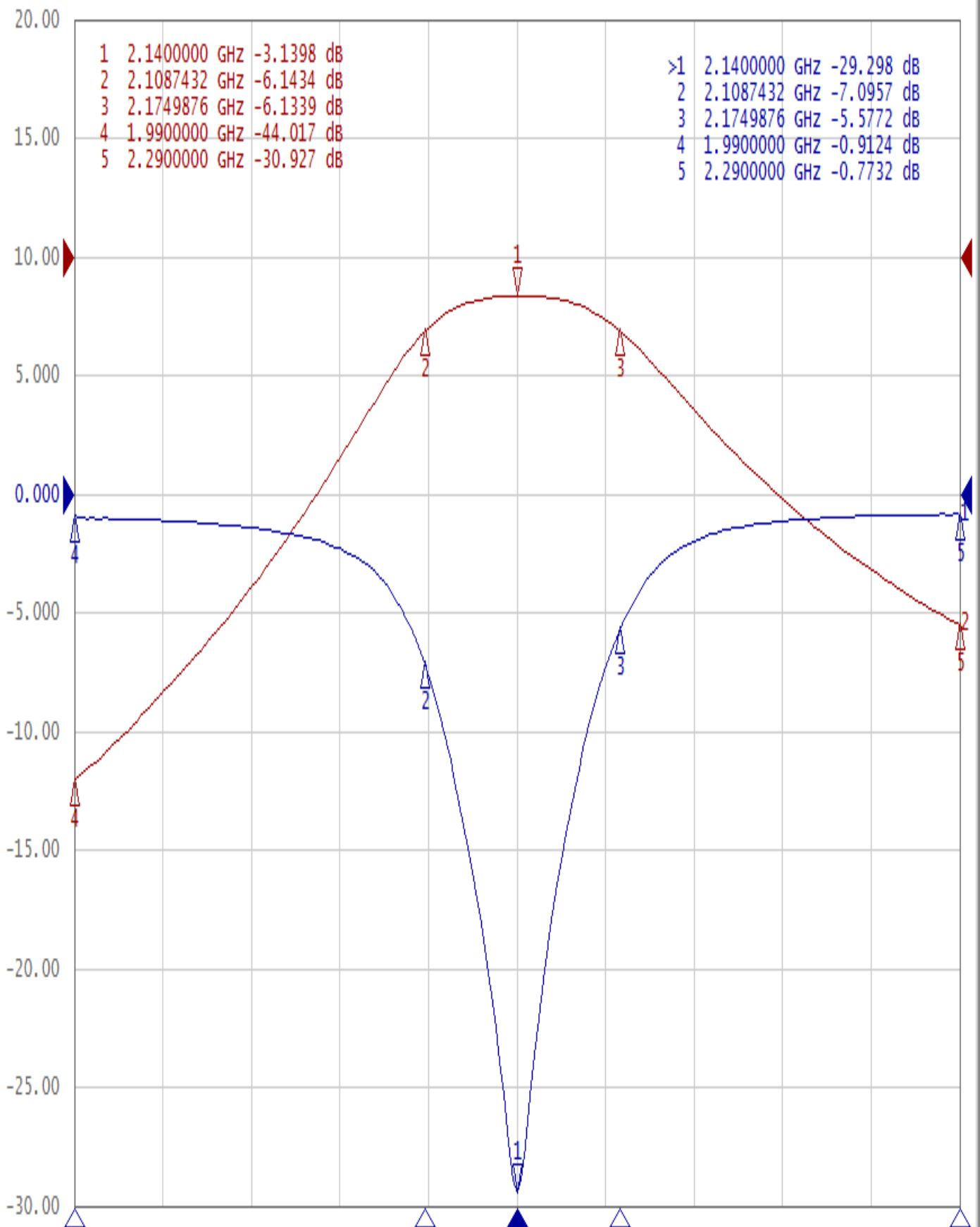
| | | | |
|-----------------------|-------------------------|-----------------------|---|
| Approval C.Y.Chang | Supervisor C.K.Chang | Designer C.S.Chang | Aperture size 5W3S(3.8*4.5)(4.58) 5HW046RB3.2 |
|-----------------------|-------------------------|-----------------------|---|

TEMWELL CORPORATION

Performance-TTW31083B-2140M

201902031CD

Tr1 S11 Log Mag 5.000dB/ Ref 0.000dB [F2]
Tr2 S21 Log Mag 10.00dB/ Ref 0.000dB [F2]



1 Center 2.14 GHz

IFBW 70 kHz

Span 300 MHz Cor !