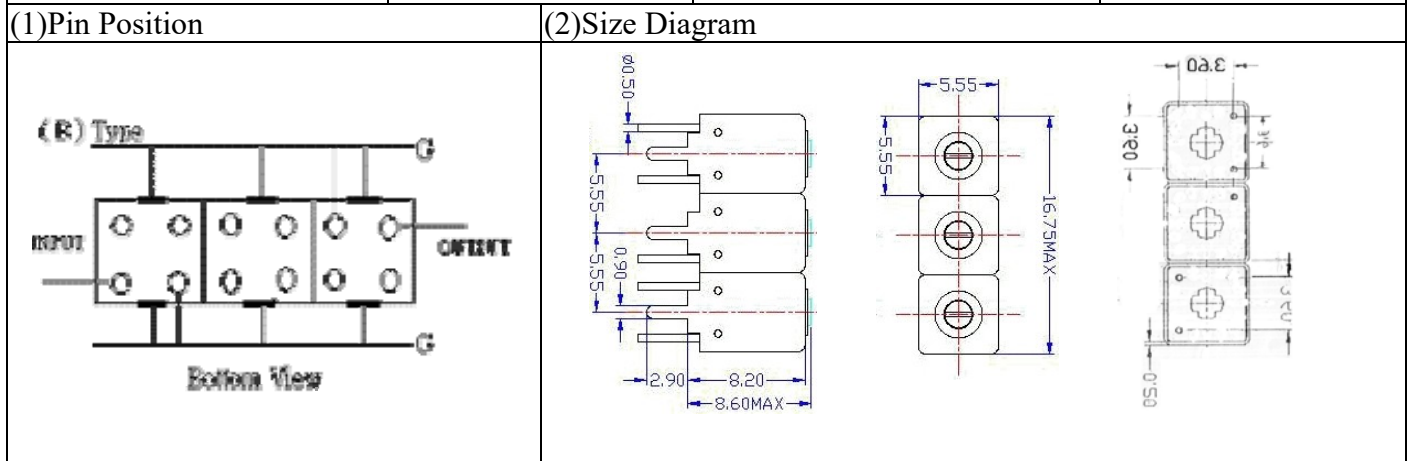


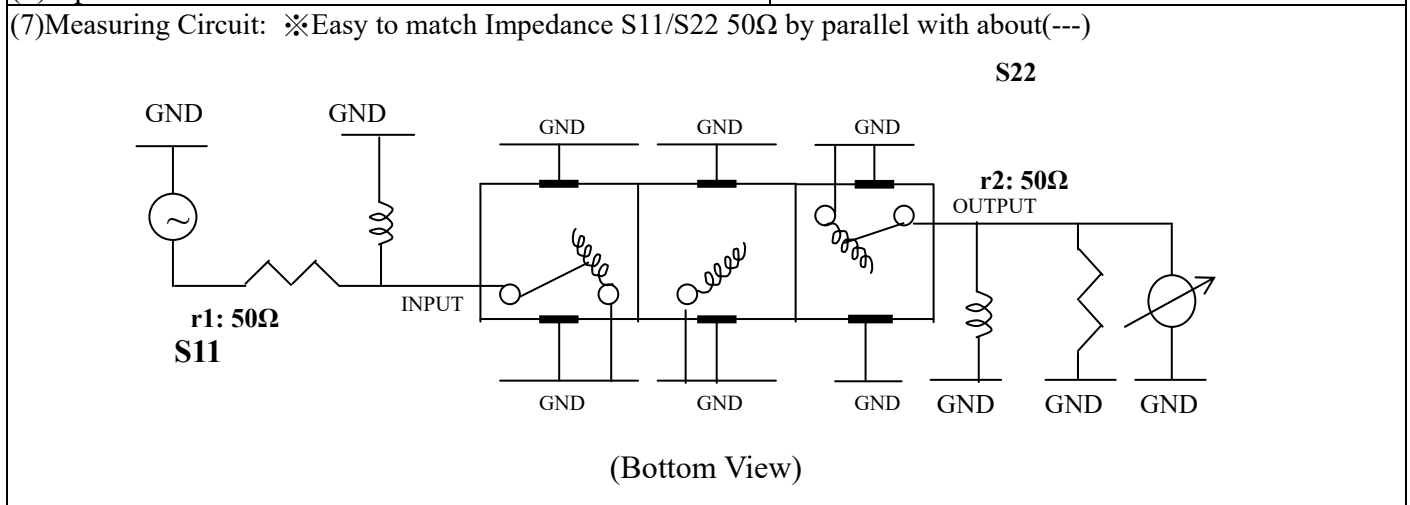
VHF UHF Helical Filter Specification Sheet

Customer Name		Temwell's Part No.	TTW31077B-1962.5M
Approval No. /dated	201902021CD	Temwell's Print Name	31077B 1962.5M
Work Instruction No.	201902021CD	Date	Mar.15.2019



(3) Electric Character			
Item		Specify	Performance
Center Freq.(Fo) +/- 0.5 %		1962.5 MHz	1962.5 MHz
Insertion Loss		Typ. 4.0 dB	3.10 dB
-3 dB Bandwidth		Typ. 60 MHz	69.6 MHz
Sensitivity (Attenuation)	Fo - 100 MHz	Typ. 25 dBc	30 dBc
	Fo + 100 MHz	Typ. 16 dBc	21 dBc
	Fo - ()MHz	Typ. dBc	dBc
	Fo +()MHz	Typ. dBc	dBc
Return Loss		Min. 12 dB	31.3 dB
Ripple		< 1 dB	dB
Impedance		In / Out : 50 Ω	In / Out : 50 Ω
(4) Torque for Tuning Screw		> 60gf · cm	

(5) Temperature Condition:	
Operating Temperature	0°C ~ +60°C
Storage Temperature	-20°C ~ +70°C
(6) Input Power	> 0.5Watt



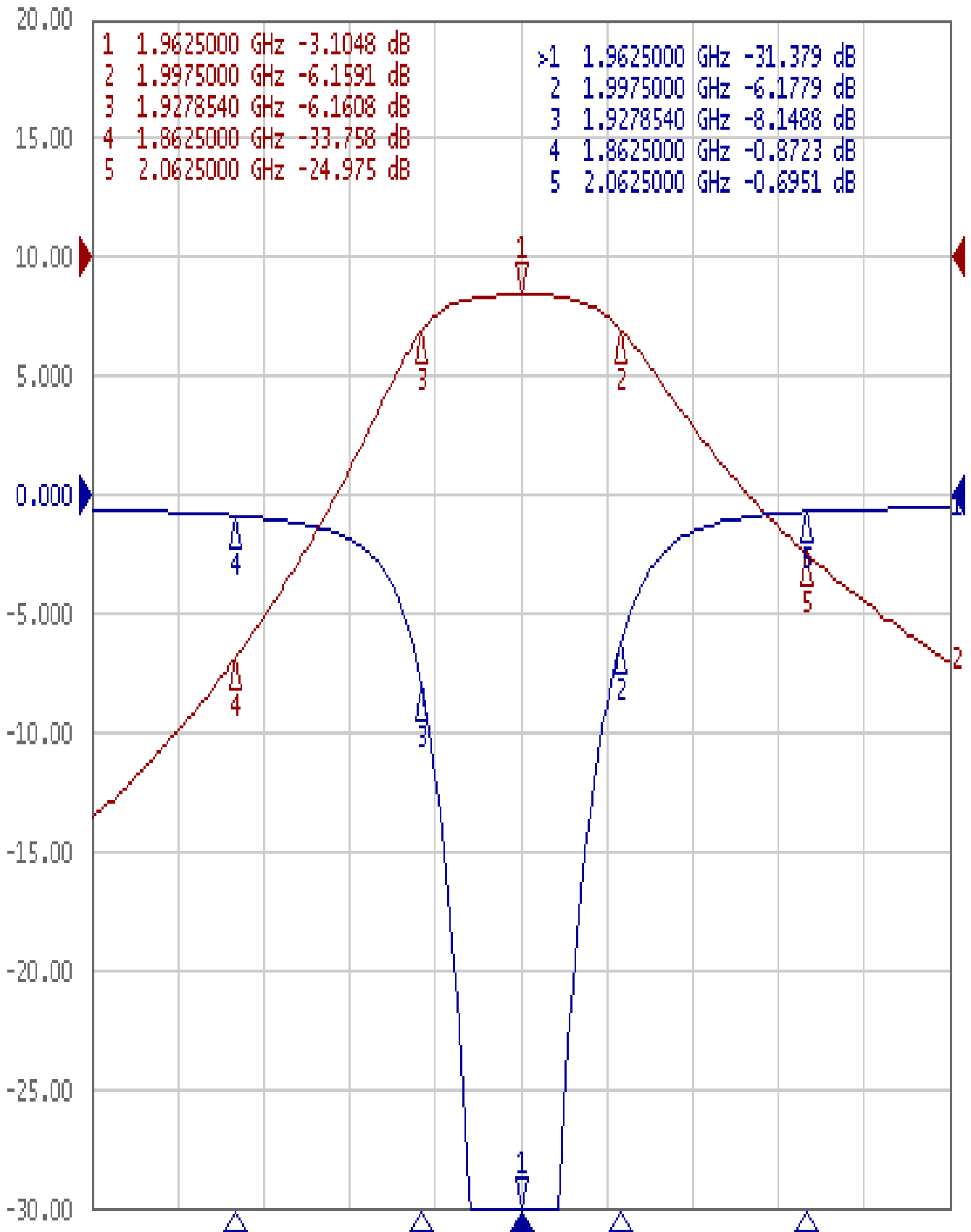
Approval C.Y.Chang	Supervisor C.K.Chang	Designer W.W.Wang	Aperture size 5W3S(3.8*4.5)(4.58) 5HW046RB3.2(J1)
TEMWELL CORPORATION			

Performance-TTW31077B-1962.5M

201902021CD

▶ Tr1 S11 Log Mag 5.000dB/ Ref 0.000dB [F2]

Tr2 S21 Log Mag 10.00dB/ Ref 0.000dB [F2]



1 Center 1.9625 GHz

IFBW 70 kHz

Span 300 MHz

Cor !