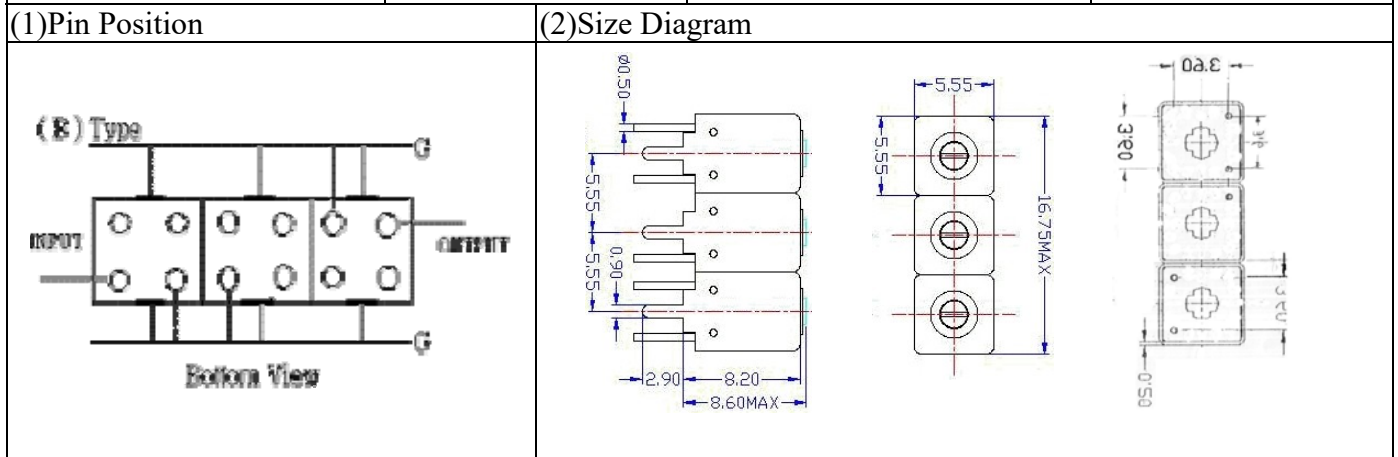


VHF UHF Helical Filter Specification Sheet

Customer Name		Temwell's Part No.	TTW31059B-1643.5M
Approval No. /dated	201902003CD	Temwell's Print Name	31059B 1643.5M
Work Instruction No.	201902003CD	Date	Mar.05.2019



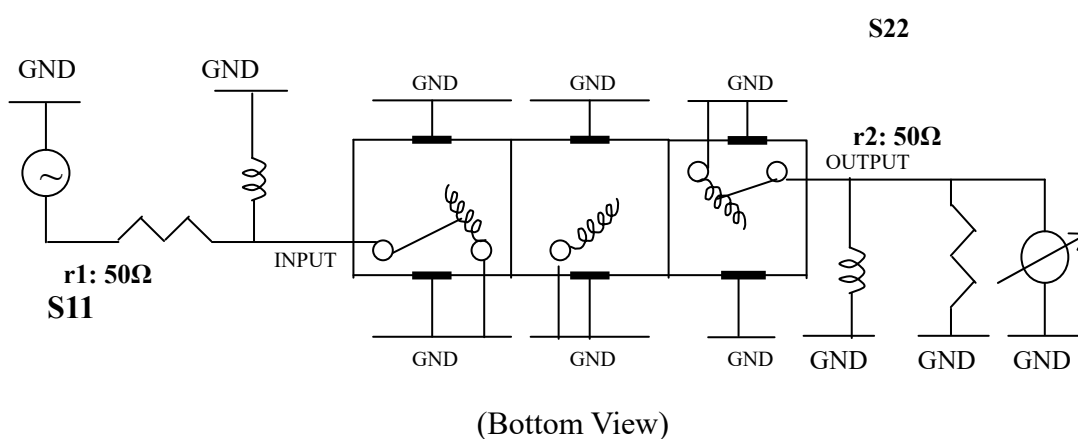
(3) Electric Character

Item	Specify	Performance	
Center Freq.(Fo) +/- 0.5 %	1643.5 MHz	1643.5 MHz	
Insertion Loss	Typ. 4.0 dB	3.25 dB	
-3 dB Bandwidth	Typ. 34 MHz	39.0 MHz	
Sensitivity (Attenuation)	Fo - 100 MHz	Typ. 37 dBc	42 dBc
	Fo + 100 MHz	Typ. 27 dBc	32 dBc
	Fo - ()MHz	Typ. dBc	dBc
	Fo +()MHz	Typ. dBc	dBc
Return Loss	Min. 12 dB	25.0 dB	
Ripple	< 1 dB	dB	
Impedance	In / Out : 50 Ω	In / Out : 50 Ω	

(4) Torque for Tuning Screw > 60gf · cm

(5) Temperature Condition:	
Operating Temperature	0°C ~ +60°C
Storage Temperature	-20°C ~ +70°C
(6) Input Power	> 0.5Watt

(7) Measuring Circuit: ※Easy to match Impedance S11/S22 50Ω by parallel with about(---)



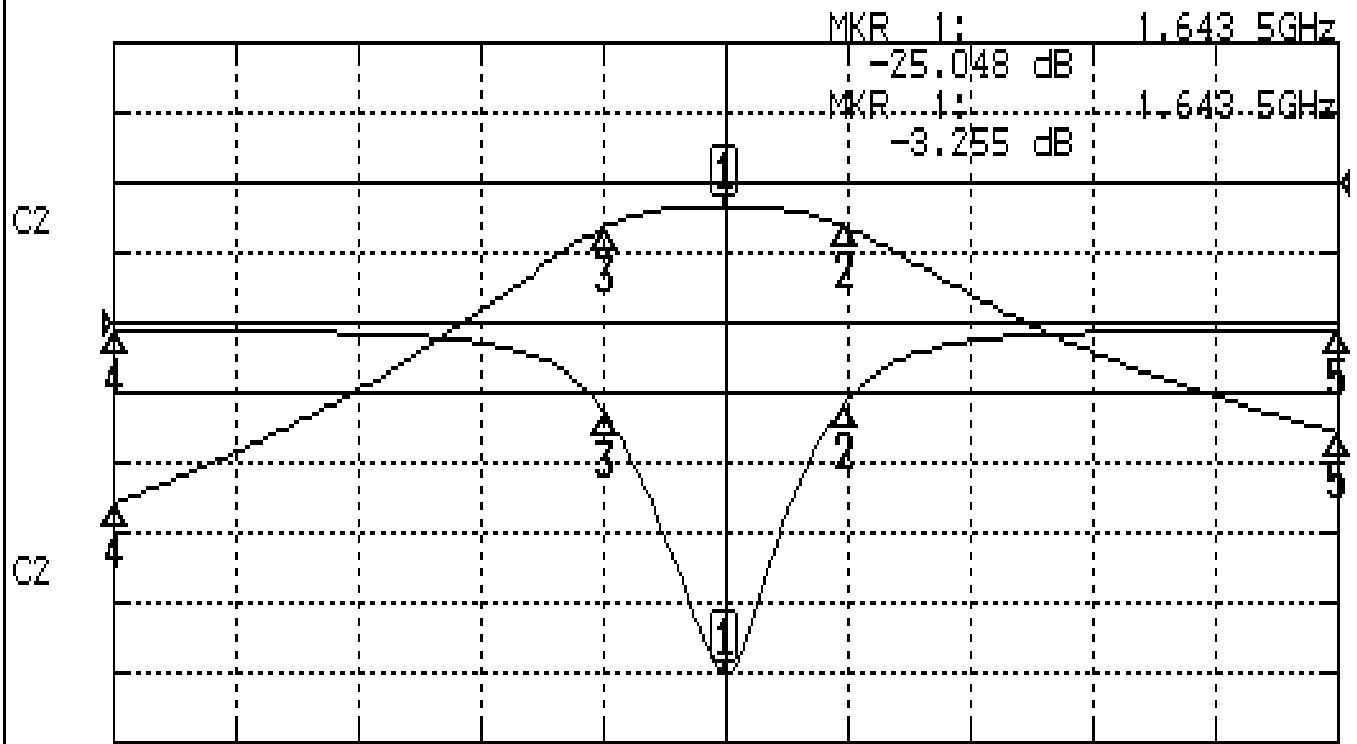
Approval	Supervisor	Designer	Aperture size
C.Y.Chang	C.K.Chang	C.H.Yeh	5W3S(3.8*3.5)(3.52) 5HW024RB3

TEMWELL CORPORATION

Performance-TTW31059B-1643.5M

201902003CD

CH1 S11 LOG MAG REF 0.000 dB 5.000 dB/
CH2 S21 LOG MAG REF 0.000 dB 10.000 dB/



CENTER 1.643 5GHz

[10.00 dBm]

SPAN 200MHz

CH1 MARKER LIST

Marker	Freq (GHz)	Magnitude (dB)
1	1.643 500	-25.048
2	1.663 000	-5.775
3	1.624 000	-6.514
4	1.543 500	-0.487
5	1.743 500	-0.489

CH2 MARKER LIST

Marker	Freq (GHz)	Magnitude (dB)
1	1.643 500	-3.255
2	1.663 000	-6.247
3	1.624 000	-6.241
4	1.543 500	-45.735
5	1.743 500	-35.655